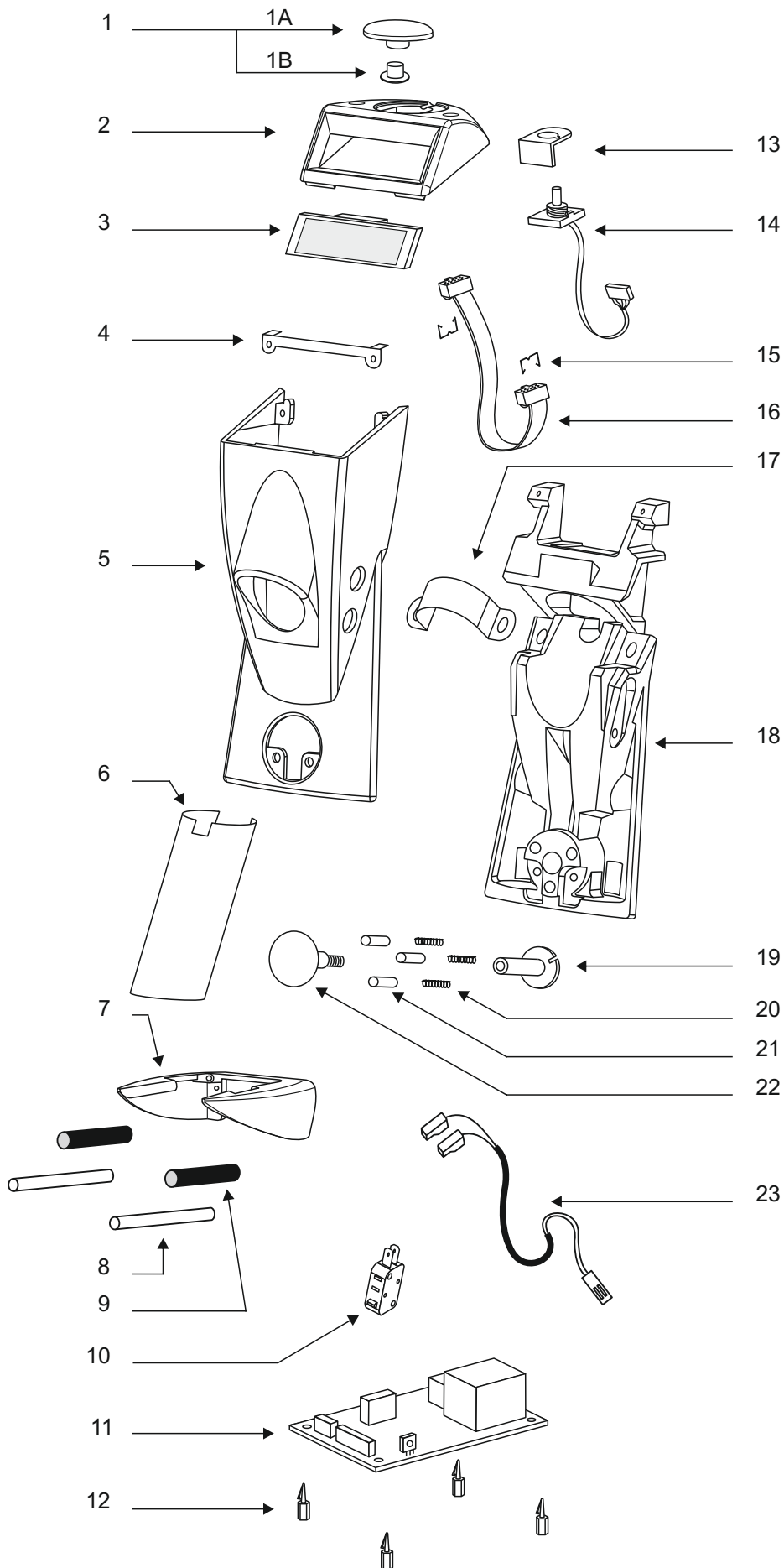


Model		
M7D		

Evol.	Table	Date
7	1/4	08/03/2019

N.	Code	Features
1	C0007M114	
2	C0007M113	
2A	C0007M101B	
2B	C0007M113A	
2C	C0007M101C	
3	C202006	
3A	C0007M163A	
3B	C202007	
3C	C0004M139	
4	C0004M156L	
5	C0004M162	
6	C0004M121B	
7	C202020	
8	C202032	
8A	C204006	
8B	C202032A	
8C	C202032B	
9	C201021	
10	C0004M140A	
11	C00061270	230V - 50Hz
	C000612701	220V - 60Hz
	C000612702	110V - 60Hz
12	C00061162	230V - 50Hz
	C00061109	220V - 60Hz
	C00061113	110V - 60Hz
13	C0007M7041	
14	C00061612	
15	C00071813	
15A	C00071650	
16	C0004M154	
17	C0008M105	
18	C00010104	
19	C00061021	
20	C0004M7040	
21	C000716140	
22	C00061517	SHUKO
	C000615171	USA
	C000615172	UK
	C000615173	SWITZERLAND
	C000615174	AUSTRALIA

Descriptions	
Available	
Not available	



Model		
M7D		

Evol.	Table	Date
7	2/4	08/03/2019

N.	Code	Features
1	C204011	
1A	C204012	
1B	C207003	
2	C207002	
3	C206009	
4	C204005	
5	C207001	
6	C204007	
7	C00010107	
8	C00041330	
9	C00071801	
10	C00061030	
11	C206008	230V - 50/60 Hz
	C2060081	110V - 60Hz
12	C0007M172	
13	C207004	
14	C206012	
15	C0008M113	
16	C206010	
17	C204004	
18	C202003	
19	C204017	
20	C208019	
21	C204018	
22	C204016	
23	C206013	

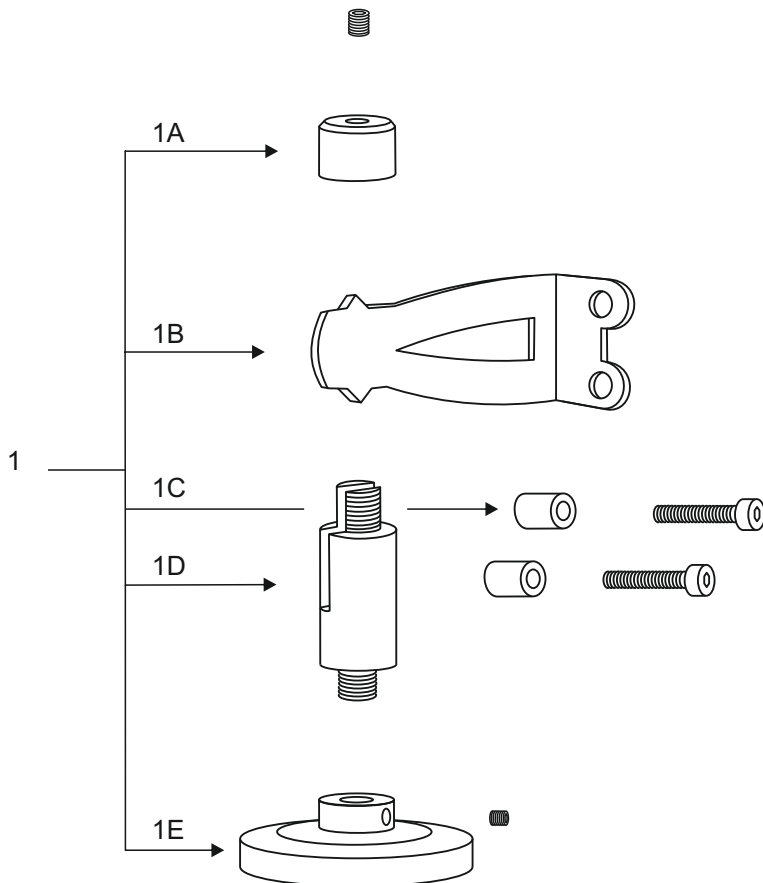
Descriptions	
Available	
Not available	

Model

Pressino laterale (L)

Evol.	Table	Date
7	4/4	08/03/2019

N.	Code	Features
1	C204040	Ø 57
	C2040401	Ø 52
1A	C204025	
1B	C204024A	
1C	C204031	
1D	C204026	
1E	C0004CPM17	Ø 57
	C0004CPM17B	Ø 52



Descriptions

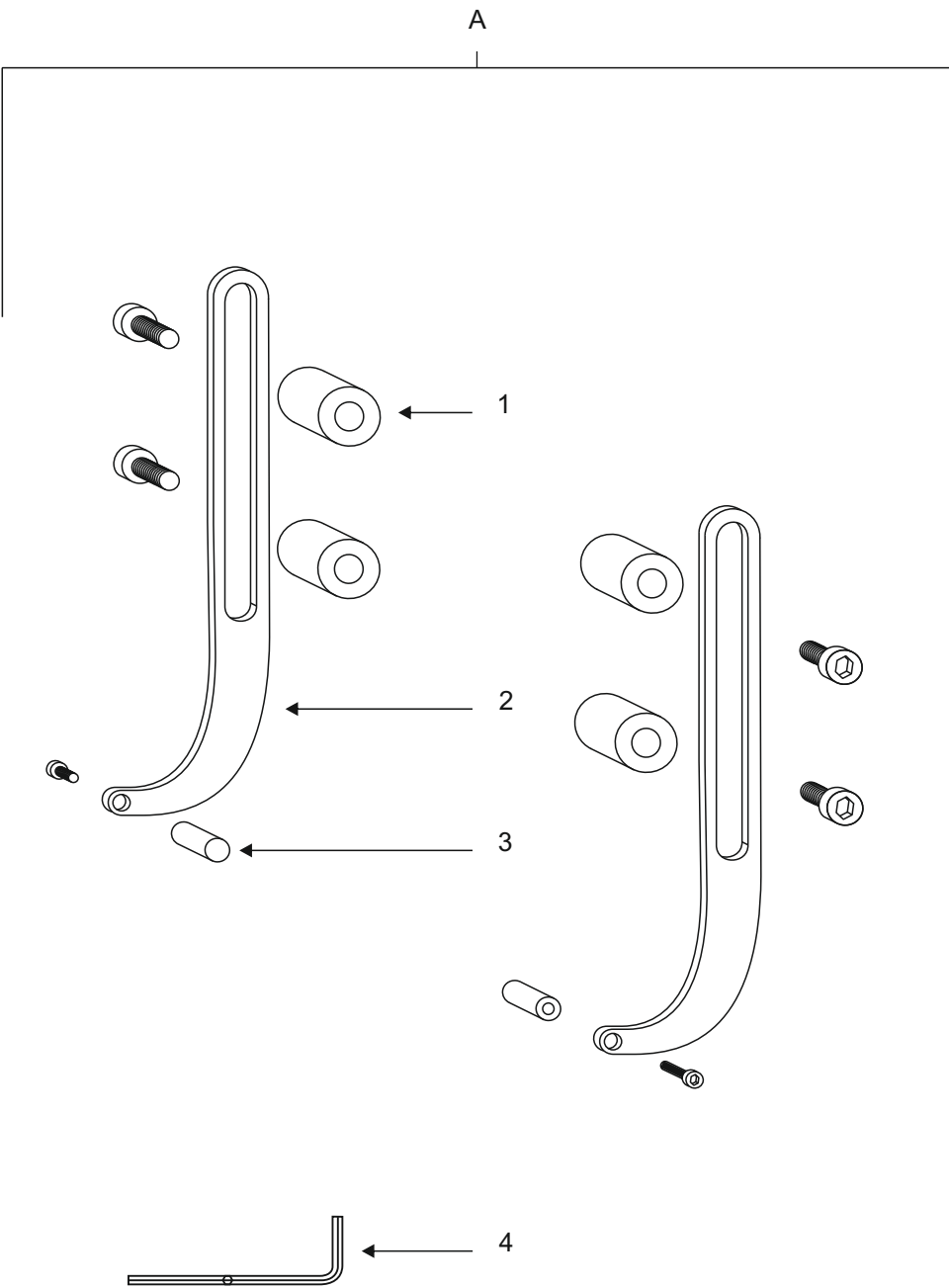
Available
Not available

Model

Supp. portafiltro (W)

Evol.	Table	Date
7	4/4	08/03/2019

N.	Code	Features
A	C204041	
1	C204031	
2	C2040412	
3	C2040413	
4	C204042	⊕ SIZE 3



Descriptions	
Available	
Not available	