

INDICE - INDEX - SOMMAIRE - VERZEICHNIS

rev.

ARGD-01

Lancia ACQUA / VAPORE - Tube WATER / STEAM
Tuyau EAU / VAPEUR - WASSER DAMPFHAHN

02

04/2006

ARGD-02

Lancia ACQUA / VAPORE - Tube WATER / STEAM
Tuyau EAU / VAPEUR - WASSER DAMPFHAHN

03

07/2006

ARGD-03

AUTOSTEAMER STANDARD

00

07/2007

ARGD-04

AUTOSTEAMER U.S.A.

01

02/2007

02

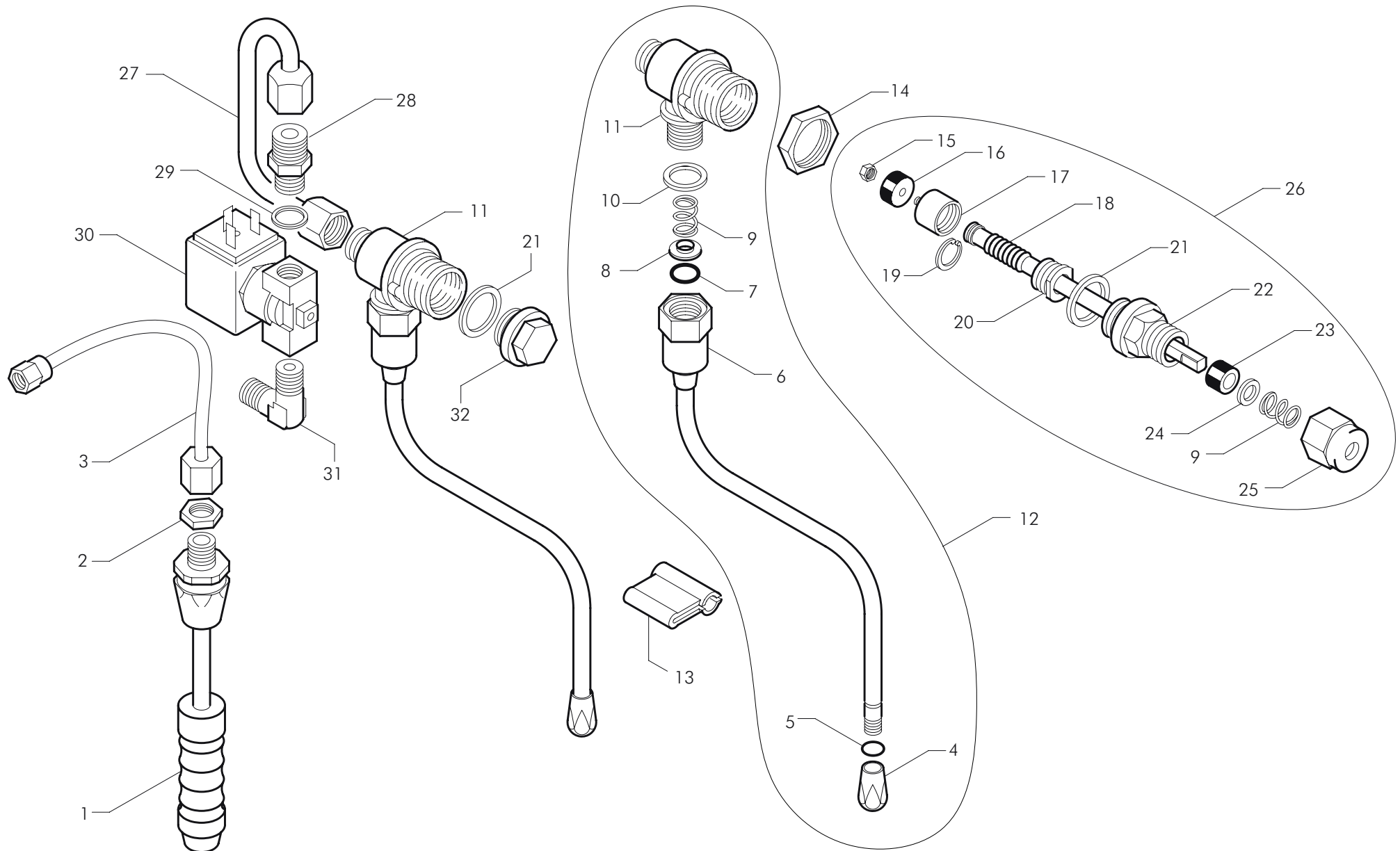
07/2007

- *Lancia
acqua / vapore*
- *Autosteamer*

- *Tube Water / Steam*
- *Autosteamer*

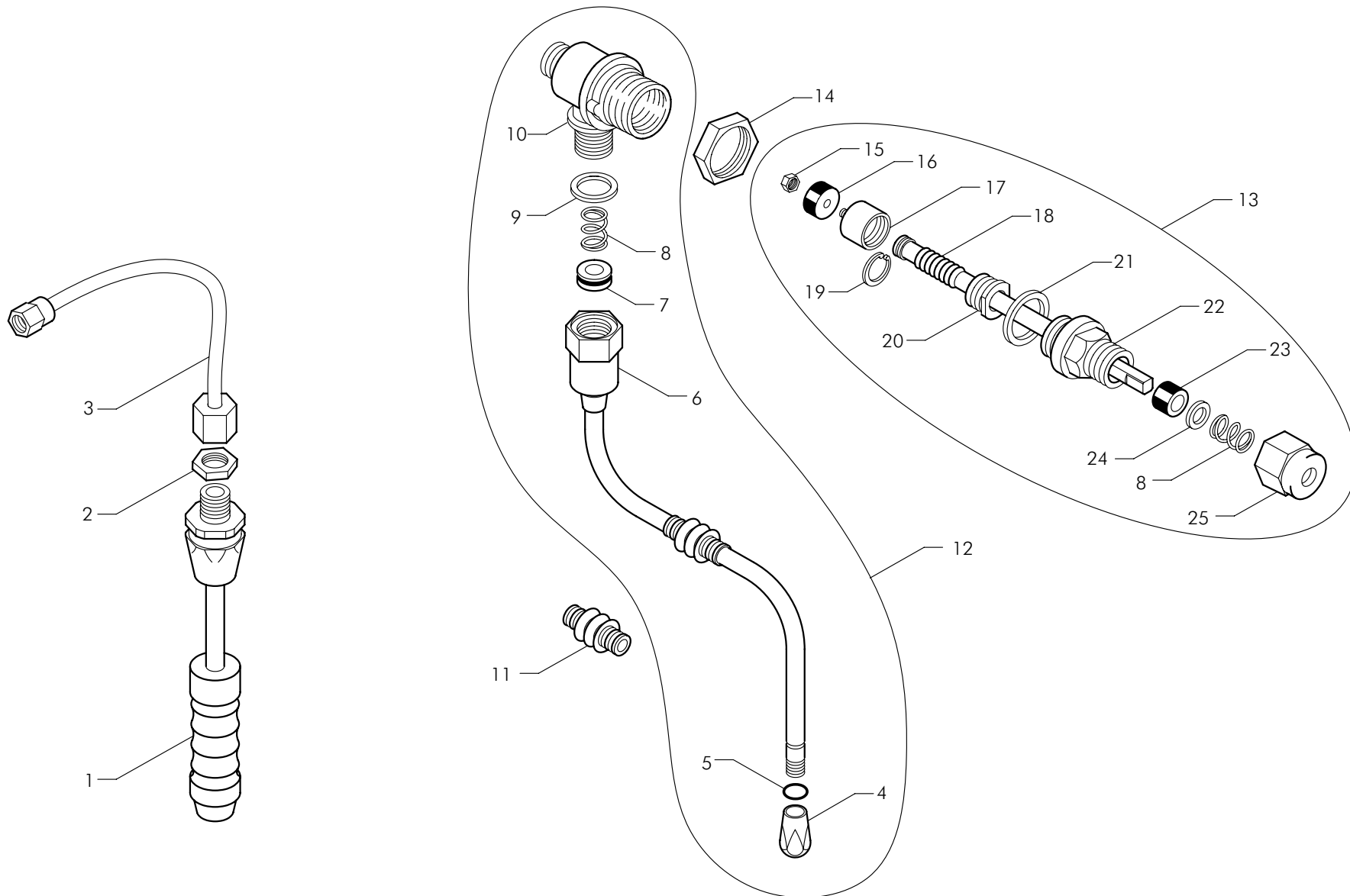
- *Tuyau eau / vapeur*
- *Autosteamer*

- *Wasser-dampfhahn*
- *Autosteamer*



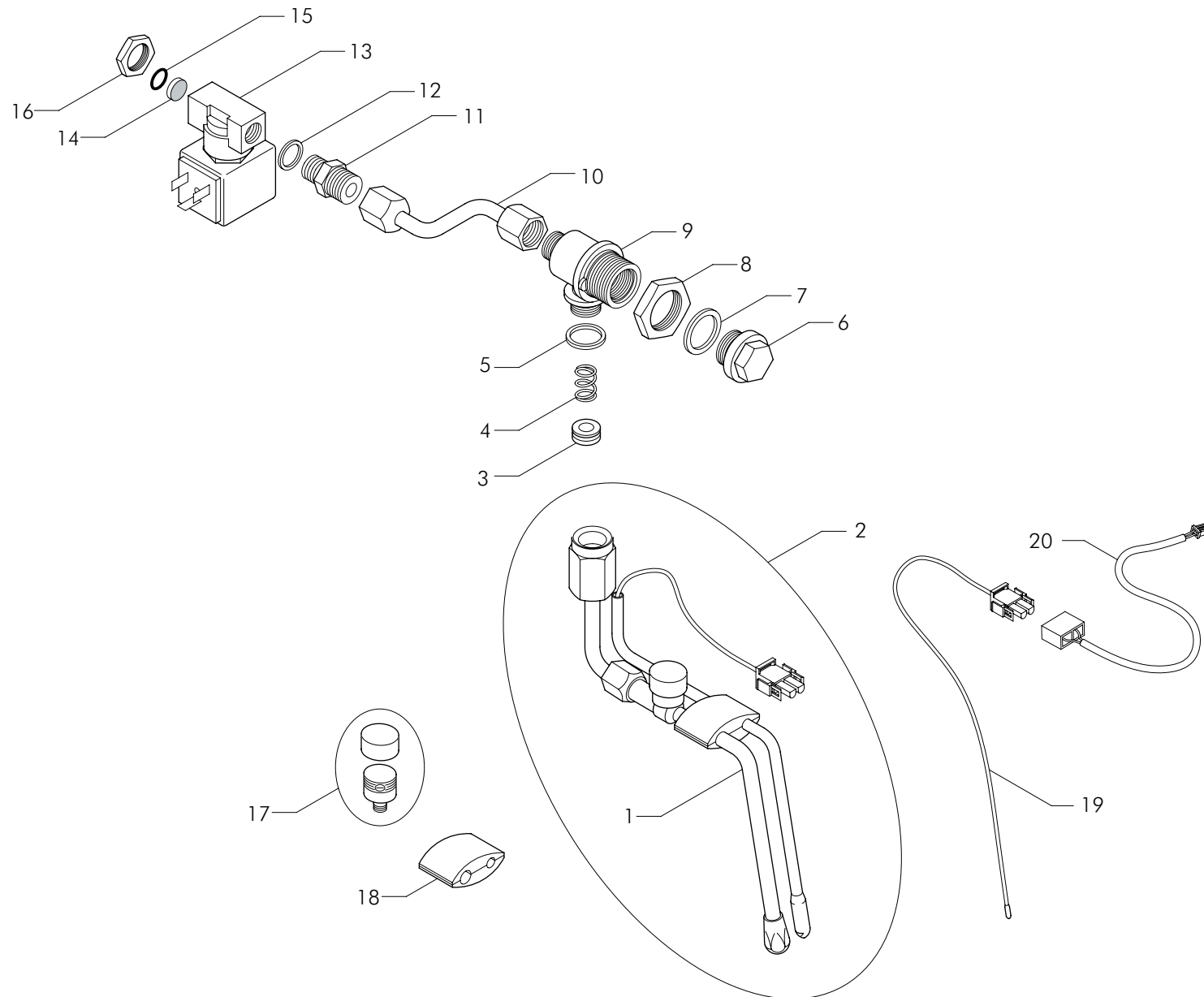
| Pos | Cod. | Denominazione - IT - | Denomination - GB - | Denomination - FR - | Denomination - DE - |
|-----|----------|--|---|--|---|
| 1 | 25763A | SPRUZZATORE ACQUA TELESCOPICO K9180-R3 | K9180-R3 TELESCOPIC WATER SPRAY | GIGLEUR EAU TELESCOPIQUE K9180-R3 | TELESKOP-WASSERSTRAHL K9180-R3 |
| 2 | 25396 | DADO 1/4 SP.4 | NUT 1/4 - 4 THICK | ECROU 1/4 SP.4 | MUTTER 1/4 |
| 3 | 15451007 | TUB.D-6 L.320 TEFLON 1/8F 1/4M | D-6 320 L TEFLON PIPE AB/7 | TUYAU D-6 L.320 TEFLON AB/7 | SCHLAUCH D-6 L.320 TEFLON AB/7 |
| 4 | 25762A | SPRUZZATORE VAPORE INOX AISI 303 | STEEL STEAM SPRAYER AISI 303 | VAPORISATEUR INOX AISI 303 | STAHLDAMPFER AISI 303 |
| 5 | 12300013 | GUARNIZIONE OR SILICONE ROSSO 6X1 70SH | O RING 6X1 70SH | JOINT OR 6X1 70SH | O RING 6X1 70SH |
| 6 | 25391 | DADO CANNA VAP/H2O X MOLLA CROMATO | NUT PIPE WATER/STEAM FOR SPRING | ECROU TUYAU VAPEUR/EAU POUR RESSORT | WASSER/DAMPF ROHRMUTTER FUR FEDER |
| 7 | 12300 | GUARNIZIONE OR 113 NBR/70 | O RING GASKET 113 NBR/70 | JOINT OR 113 NBR/70 | OR-DICHTUNG 113 NBR/70 |
| 8 | 25657 | RONDELLA MOLLA VAPORE | STEAM SPRING WASHER | RONDELLE RESSORT VAPEUR | SCHLEIBE FÜR DAMPFEDER |
| 9 | 10452 | MOLLA RUBINETTO H20/VAPORE N4 | WATER/STEAM TAP SPRING N4 | RESSORT DE ROBINET EAU-VAPEUR N4 | WASSER/DAMPF HAHNFEDER N4 |
| 10 | 12010 | GUARNIZIONE TEFLON X H20/VAP 21X17X2 CNN | W/S PIPE GASKET TEFLON 21X17X2 | JOINT TUYAU TEFLON EAU/VAP TEFLON 21X17X | TEFLON-DICHTUNG X H20/VAP 21X17X2 CNN |
| 11 | 4553003 | CORPO RUBINETTO NI | TAP BODY NI ETL | CORPS DE ROBINET NI ETL | HAHNKÖRPER NI ETL |
| 11 | 53003 | CORPO RUBINETTO | TAP BODY | CORPS DE ROBINET | HAHNKÖRPER |
| 12 | 25763304 | TUBO VAP.INOX L.270 +CORPO | STEEL STEAM PIPE L.270 | TUYAU VAPEUR INOX L.270 | STAHL DAMPFROHRSATZ L.270 |
| 13 | 15295 | CLIPS ANTISCOTTATURA NERA | BLACK ANTISCORCHING CLIP | CLIP ANTI-BRULURES NOIRE | VERBRENNUNGSSCHUTZKLIPS |
| 14 | 25384 | DADO OTTONE M26X1.5 | BRASS NUT 26X1.5 | ECROU LAITON 26X1.5 | MESSING-MUTTER 26X1.5 |
| 15 | 23050 | DADO OTTONE M3 UNI 5587 | BRASS NUT M3 UNI 5587 | ECROU LAITON M3 UNI 5587 | MESSING-MUTTER M3 UNI 5587 |
| 16 | 12203 | GUARNIZIONE GOMMA 15X4X4 | RUBBER GASKET 15X4X4 | JOINT EN CAOUTCHOUC 15X4X4 | GUMMIDICHTUNG 15X4X4 |
| 17 | 25616 | PISTONCINO RUBINETTO | TAP JUMPER | PISTON ROBINET | HAHNKOLBEN |
| 18 | 25311 | ASTA RUBINETTO L109 CROMATA | CHROMED TAP ROD 109L | TIGE ROBINET L109 CHROME | VERCHROMTE HAHNSTANGE L109 |
| 19 | 10001 | ANELLO ARRESTO D6 INOX 316 DIN 6799 | STEEL CIRCLIP 316 DIN 6799 | CIRCLIP INOX 316 DIN 6799 | STAHLHALTENRING 316 DIN 6799 |
| 20 | 25461 | GHIERA RUBINETTO | TAP RING NUT | EMBOUT ROBINET | HAHNZWINGE |
| 21 | 12158 | GUARNIZIONE CU RUB.26X20.5X2 | 26X20.5X2 COPPER SEAL | JOINT CUIVRE 3/8 22X17X1.5 | KUPFERDICHTUNG 3/8 22X17X1.5 |
| 22 | 25678001 | RACCORDO RUBINETTO | TAP FITTING | RACCORD ROBINET | HAHNANSCHLUSSTUCK |
| 23 | 12204 | GUARNIZIONE GOMMA RUBINETTO H20/VAP | W/S TAP RUBBER GASKET 12.5X7.5X9 | JOINT CAOUTCHOUC ROB. EAU/VAP 12.5X7.5X9 | HAHNDICHTUNG W/D 12.5X7.5X9 |
| 24 | 25655 | RONDELLA RUBINETTO | TAP WASHER | RONDELLE ROBINET | HAHNSCHLEIBE |
| 25 | 25385 | DADO PREMISTOPPA RUBINETTO | TAP STUFFING NUT | ECROU DE PRESSE-ETOUPE ROBINET | STOPFBUCHSE MUTTER - HAHN |
| 26 | 561021 | ASSIEME RUBINETTO H20/VAPORE | H20/STEAM TAP ASSEMBLY | ENSEMBLE ROBINET H20/VAPEUR | SATZ HAHN H20/DAMPF |
| 27 | 52003867 | TUBO D-8 L.195 MK 19 | TUBE D-8 L.195 MK 19 | TUYAU D-8 L.195 MK 19 | ROHR D-8 L.195 MK 19 |
| 28 | 25716 | RACCORDO 3/8X1/4 | 3/8X1/4 FITTING | RACCORD 3/8X1/4 | ANSCHLUSS 3/8X1/4 |
| 28 | 4525716 | RACCORDO 3/8X1/4 NI | 3/8X1/4 FITTING NI | RACCORD 3/8X1/4 NI | ANSCHLUSS 3/8X1/4 NI |
| 29 | 12153 | GUARNIZIONE CU 1/4 17X13.3X1.5 | 1/4 17X13.3X1.5 COPPER SEAL | JOINT CUIVRE 1/4 17X13.3X1.5 | KUPFERDICHTUNG 1/4 17X13.3X1.5 |
| 30 | 18161990 | ELETTROVALV.VAPORE 230V VE140DRA.5 ZB09 | VE140DRA.5 ZB09 1/4 230V STEAM SOLENOID | ELECTROVANNE VAPEUR VE14DRA.5 ZB09 1/4 2 | ELEKTROVENTIL DAMPF VE140DRA.5 ZB09 1/4 |
| 31 | 23203 | RACCORDO OTT.GOM.D6.2 1/4X1/4 CON | ELBOW BRASS CONNECTOR D6.2 1/4X1/4 | RACCORD COUDE LAITON D6.2 1/4X1/4 | MESSING-ANSCHLUSS D6.2 1/4X1/4 |
| 31 | 4523203 | RACCORDO OTT.GOM.D6,2 1/4X1/4 CON NI | ELBOW BRASS CONNECTOR NI ETL | RACCORD COUDE LAITON NI ETL | MESSING FITTING NI ETL |
| 32 | 25785 | TAPPO MASCHIO 3/8 | MALE CAP 3/8 | BOUCHON MALE 3/8 | STOPFEN 3/8 |
| 32 | 4525785 | TAPPO MASCHIO 3/8 NI | MALE CAP 3/8 NI | BOUCHON MALE 3/8 NI | STOPFEN 3/8 NI |





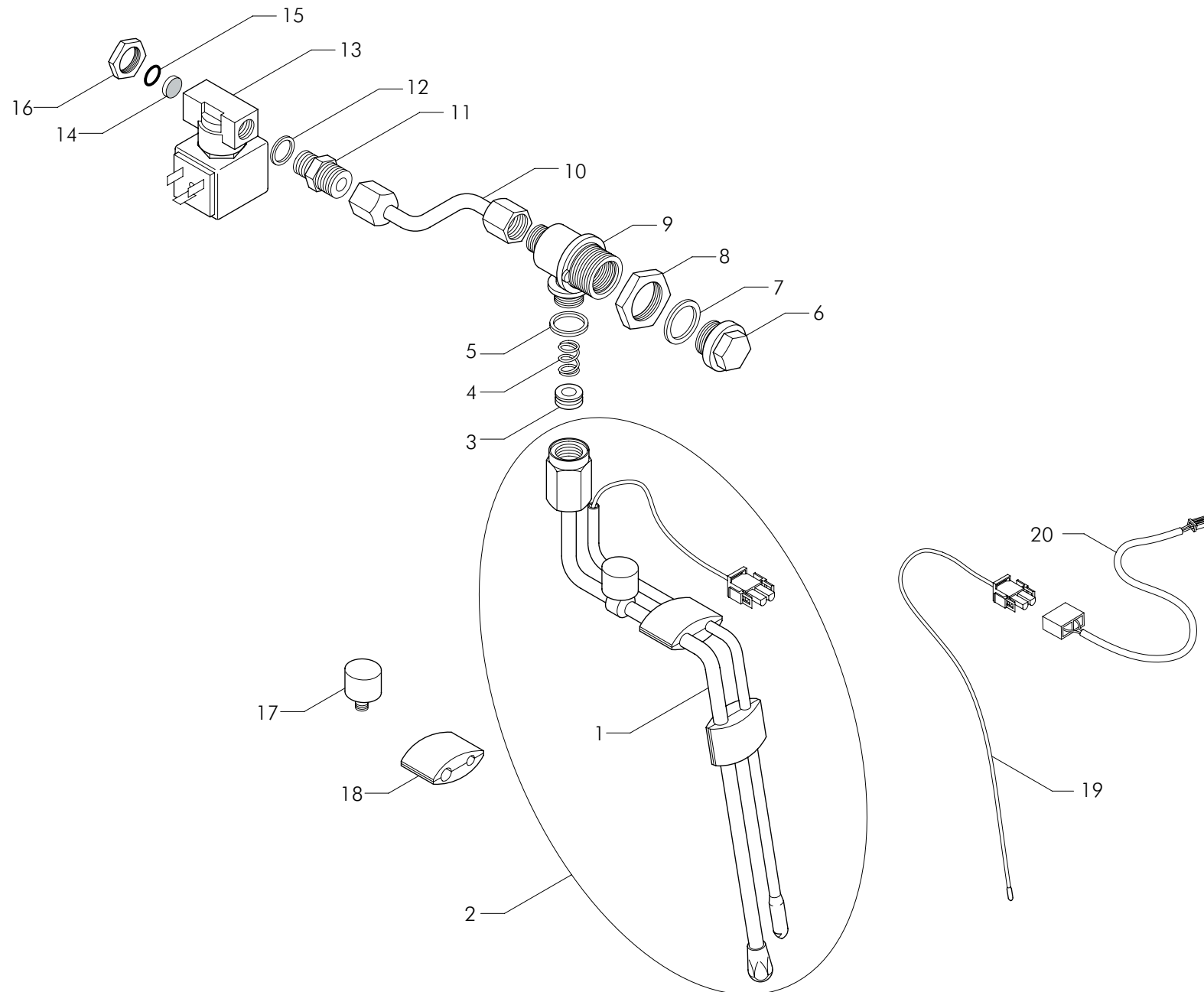
| Pos | Cod. | Denominazione - IT - | Denomination - GB - | Denomination - FR - | Denomination - DE - |
|-----|----------|--|--|---|---|
| 1 | 25763A | SPRUZZATORE ACQUA TELESCOPICO K9180-R3 | K9180-R3 TELESCOPIC WATER SPRAY | GIGLEUR EAU TELESCOPIQUE K9180-R3 | TELESKOP-WASSERSTRAHL K9180-R3 |
| 2 | 25396 | DADO 1/4 SP.4 | NUT 1/4 - 4 THICK | ECROU 1/4 SP.4 | MUTTER 1/4 |
| 3 | 15451007 | TUB.D-6 L.320 TEFLON 1/8F 1/4M | D-6 320 L TEFLON PIPE AB/7 | TUYAU D-6 L.320 TEFLON AB/7 | SCHLAUCH D-6 L.320 TEFLON AB/7 |
| 4 | 25762A | SPRUZZATORE VAPORE INOX AISI 303 | STEEL STEAM SPRAYER AISI 303 | VAPORISATEUR INOX AISI 303 | STAHLDAMPFER AISI 303 |
| 5 | 12300013 | GUARNIZIONE OR SILICONE ROSSO 6X1 70SH | O RING 6X1 70SH | JOINT OR 6X1 70SH | O RING 6X1 70SH |
| 6 | 25391 | DADO CANNA VAP/H2O X MOLLA CROMATO | NUT PIPE WATER/STEAM FOR SPRING | ECROU TUYAU VAPEUR/EAU POUR RESSORT | WASSER/DAMPF ROHRMUTTER FUR FEDER |
| 7 | 12661 | GUARNIZIONE OR CON LUNETTA P.MOLLA CANNA | OR REST FOR ST.STEEL STEAM PIPE | OR LUNETTE P.RESSORT TUYAU VAP. INO | HALBE OR-DICHT.F.FEDER DAMPFROHR ED |
| 8 | 10465 | MOLLA DE 11,5 DF1,5 AISI 302 DV/SP | STAINLESS ST.STEAM PIPE SPRING | RESSORT TUYAU VAP. INOX D.10 | FEDER DAMPFROHR EDELSTAHL D. 10 |
| 9 | 12010 | GUARNIZIONE TEFLON X H20/VAP 21X17X2 CNN | W/S PIPE GASKET TEFLON 21X17X2 | JOINT TUYAU TEFLON EAU/VAP TEFLON 21X17X2 | TEFLON-DICHTUNG X H20/VAP 21X17X2 CNN |
| 10 | 4553003 | CORPO RUBINETTO NI | TAP BODY NI ETL | CORPS DE ROBINET NI ETL | HAHNKORPER NI ETL |
| 10 | 53003 | CORPO RUBINETTO | TAP BODY | CORPS DE ROBINET | HAHNKORPER |
| 11 | 15296000 | GOMMINO ANTISCOT.RA X TUBO VAP.D8 | ANTI-BURNING RUBBER EL. FOR STEAM PIPE D.8 | ELEMENT ANTI-BRULURE POUR TUYAU VAP.D8 | GUMMI GEGEN VERBRENNUNGEN F. DAMPFROHR D8 |
| 12 | 25763309 | ASS.TUBO VAP.AISI 304 6X8 L325 ARG.+CORP | STEAM ARM AISI304 6x8 L325 | TUYAU VAPEUR 304 6X8 L.325 | STAHL DAMPFROHRSATZ 6x8 L.325 |
| 13 | 561021 | ASSIEME RUBINETTO H20/VAPORE | H20/STEAM TAP ASSEMBLY | ENSEMBLE ROBINET H20/VAPEUR | SATZ HAHN H20/DAMPF |
| 14 | 25384 | DADO OTTONE M26X1.5 | BRASS NUT 26X1.5 | ECROU LAITON 26X1.5 | MESSING-MUTTER 26X1.5 |
| 15 | 23050 | DADO OTTONE M3 UNI 5587 | BRASS NUT M3 UNI 5587 | ECROU LAITON M3 UNI 5587 | MESSING-MUTTER M3 UNI 5587 |
| 16 | 12203 | GUARNIZIONE HNBR 15X4X4 DUREZZA 90SH TOL | RUBBER GASKET 15X4X4 | JOINT EN CAOUTCHOUC 15X4X4 | GUMMIDICHTUNG 15X4X4 |
| 17 | 25616 | PISTONCINO RUBINETTO | TAP JUMPER | PISTON ROBINET | HAHNKOLBEN |
| 18 | 25311 | ASTA RUBINETTO L109 CROMATA | CHROMED TAP ROD 109L | TIGE ROBINET L109 CHROME | VERCHROMTE HAHNSTANGE L109 |
| 19 | 10001 | ANELLO ARRESTO D6 INOX 316 DIN 6799 | STEEL CIRCLIP 316 DIN 6799 | CIRCLIP INOX 316 DIN 6799 | STAHLHALTENRING 316 DIN 6799 |
| 20 | 25461 | GHIERA RUBINETTO | TAP RING NUT | EMBOUT ROBINET | HAHNZWINGE |
| 21 | 12158 | GUARNIZIONE CU RUB.26X20.5X2 | 26X20.5X2 COPPER SEAL | JOINT CUIVRE 3/8 22X17X1.5 | KUPFERDICHTUNG 3/8 22X17X1.5 |
| 22 | 25678001 | RACCORDO RUBINETTO | TAP FITTING | RACCORD ROBINET | HAHNANSCHLUSSTUCK |
| 23 | 12204 | GUARNIZIONE GOMMA RUBINETTO H20/VAP 12.5 | W/S TAP RUBBER GASKET 12.5X7.5X9 | JOINT CAOUTCHOUC ROB. EAU/VAP 12.5X7.5X9 | HAHNDICHTUNG W/D 12.5X7.5X9 |
| 24 | 25655 | RONDELLA RUBINETTO | TAP WASHER | RONDELLE ROBINET | HAHNSCHEIBE |
| 25 | 25385 | DADO PREMISTOPPA RUBINETTO | TAP STUFFING NUT | ECROU DE PRESSE-ETOUPE ROBINET | STOPFBUCHSE MUTTER - HAHN |





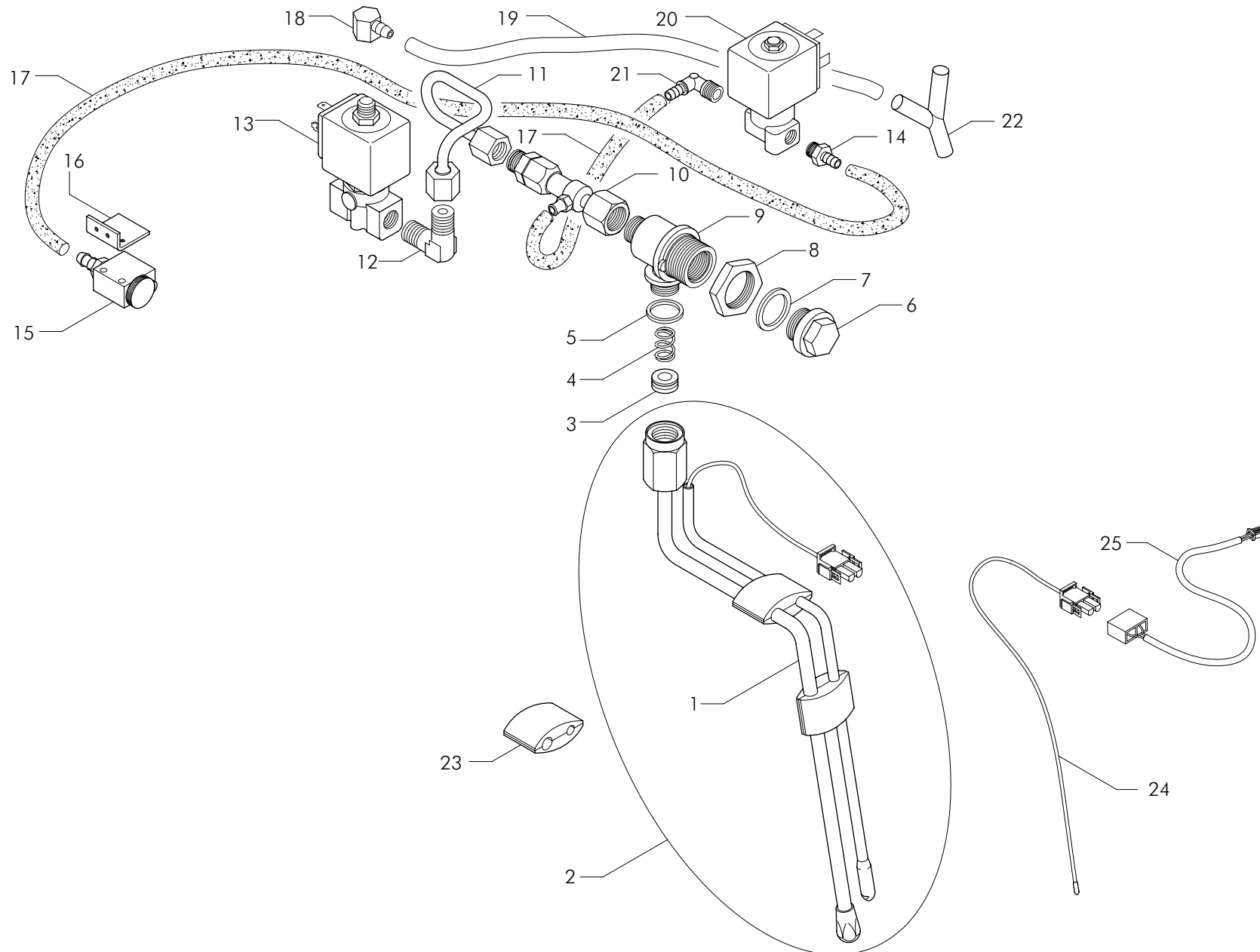
| Pos | Cod. | Denominazione - IT - | Denomination - GB - | Denomination - FR - | Denomination - DE - |
|-----|----------|---|-------------------------------------|---------------------------------------|---------------------------------------|
| 1 | 25763066 | TUBO INOX D.6 + SENSORE NTC AUTOSTEAMER | TUBE D-6 + NTC SENSOR AUTOSTEAMER | TUYAU D-6 + CAPTEUR NTC VAPEUR AUTOM. | ROHR D-6 + SENSOR NTC AUT.DAMPF |
| 2 | 25763064 | KIT AUTOSTEAMER+MONTALATTE CORTO | KIT AUTOSTEAMER | KIT VAPEUR AUTOMATIQUE TUYAU COURT | KIT AUTOSTEAMER+MILCHAUFSCHAUMER |
| 3 | 12661 | GUARNIZIONE OR CON LUNETTA P.MOLLA | OR REST FOR ST.STEEL STEAM PIPE | OR LUNETTE P.RESSORT TUYAU VAP. INO | HALBE OR-DICHT.F.FEDER DAMPFROHR ED |
| 4 | 10465 | MOLLA DE 11,5 DF1,5 AISI 302 DV/SP | STAINLESS ST.STEAM PIPE SPRING | RESSORT TUYAU VAP. INOX D.10 | FEDER DAMPFROHR EDELSTAHL D. 10 |
| 5 | 12010 | GUARNIZIONE TEFLON X H20/VAP 21X17X2 | W/S PIPE GASKET TEFLON 21X17X2 | JOINT TUYAU TEFLON EAU/VAP TEFLON | TEFLON-DICHTUNG X H20/VAP 21X17X2 CNN |
| 6 | 25678003 | TAPPO RUBINETTO KIT THE | STOPPER TAP | BOUCHON ROBINET | STOPPER-HAHN |
| 7 | 12158 | GUARNIZIONE CU RUB.26X20.5X2 | 26X20.5X2 COPPER SEAL | JOINT CUIVRE 3/8 22X17X1.5 | KUPFERDICHTUNG 3/8 22X17X1.5 |
| 8 | 25384 | DADO OTTONE M26X1.5 | BRASS NUT 26X1.5 | ECROU LAITON 26X1.5 | MESSING-MUTTER 26X1.5 |
| 9 | 53003 | CORPO RUBINETTO | TAP BODY | CORPS DE ROBINET | HAHNKÖRPER |
| 10 | 52003879 | TUBO D-8 L.60 MK 31 | TUBE D-6 L.60 MK 31 | TUYAU D-8 L.60 MK 31 | ROHR D-8 L.60 MK 31 |
| 11 | 25686 | RACCORDO 1/4X1/4 FLANGIA | CONNECTOR 1/4 X 1/4 FLANGE | RACCORD 1/4 X 1/4 BRIDE | ANSCHLUSS 1/4X1/4 FLANSCH |
| 12 | 12153 | GUARNIZIONE CU 1/4 17X13.3X1.5 | 1/4 17X13.3X1.5 COPPER SEAL | JOINT CUIVRE 1/4 17X13.3X1.5 | KUPFERDICHTUNG 1/4 17X13.3X1.5 |
| 13 | 18161983 | ELETTRIVALV.VAPORE 1/4 3VIE D.4 230V | STEAM EL.VALVE 230V 1/4 D4 3WAY | EL.VAP. 1/4 D.4 230V | DAMPFVENTIL 1/4 D.4 230V |
| 14 | 10251002 | FILTRO D-11,5 RETE ST. PS.1 | O RING 2031 HNBR 7,66XW1,78 | JOINT OR 2031 HNBR 7,66XW1,78 | OR DICHTUNG 2031 HNBR 7,66XW1,78 |
| 15 | 12329 | GUARNIZIONE OR 2031 HNBR 7.66XW1.78 H2O | O RING 2031 HNBR 7.66XW1.78 | JOINT OR 2031 HNBR 7.66X1.78 | OR DICHTUNG 2031 HNBR 7.66XW1.78 |
| 16 | 25396 | DADO 1/4 SP.4 | NUT 1/4 - 4 THICK | ECROU 1/4 SP.4 | MUTTER 1/4 |
| 17 | 30497001 | REGOLATORE ARIA AUTOSTEAMER '06 | AIRFLOW REGULATOR FOR MILK FROTHER | REGULATEUR AIRE VAPEUR AUTOMATIQUE | LUFTREGLER FUER MILCHAUFSCHAUMER |
| 18 | 15295001 | CLIPS ANTISCOTTATURA 25MM AUTOSTEAMER | ANTISCORCHING CLIP 25MM AUTOSTEAMER | CLIP ANTI-BRULURES VAPEUR AUTOMATIQUE | VERBRENNUNGSSCHUTZKLIPS AUT.DAMPF |
| 19 | 20306001 | SENSORE NTC K10 AUTOSTEAMER | SENSOR NTC AUTOSTEAMER | SENSOR NTC AUTOSTEAMER | SENSOR NTC AUTOSTEAMER |
| 20 | 22715828 | CABLAGGIO SONDA AUTOSTEAMER | CABLE PROBE AUTOMATIC STEAMER | CABLE FICHE VAPEUR AUTOMATIQUE | KABEL MEßSPITZE AUT.DAMPF |





| Pos | Cod. | Denominazione - IT - | Denomination - GB - | Denomination - FR - | Denomination - DE - |
|-----|----------|---|-------------------------------------|---------------------------------------|---------------------------------------|
| 1 | 25763057 | TUBO INOX D.6 + SENSORE NTC AUTOSTEAMER | TUBE D-6+NTC SENSOR AUTOSTEAMER | TUYAU D-6+CAPTEUR VAPEUR AUTOMATIQUE | ROHR D-6+SENSOR NTC AUT.DAMPF |
| 2 | 25763055 | KIT AUTOSTEAMER+MONTALATTE LUNGO | KIT AUTOSTEAMER | KIT VAPEUR AUTOMATIQUE TUYAU LONG | KIT AUTOSTEAMER |
| 3 | 12661 | GUARNIZIONE OR CON LUNETTA P.MOLLA | OR REST FOR ST.STEEL STEAM PIPE | OR LUNETTE P.RESSORT TUYAU VAP. INO | HALBE OR-DICHT.F.FEDER DAMPFROHR ED |
| 4 | 10465 | MOLLA DE 11,5 DF1,5 AISI 302 DV/SP | STAINLESS ST.STEAM PIPE SPRING | RESSORT TUYAU VAP. INOX D.10 | FEDER DAMPFROHR EDELSTAHL D. 10 |
| 5 | 12010 | GUARNIZIONE TEFLON X H20/VAP 21X17X2 | W/S PIPE GASKET TEFLON 21X17X2 | JOINT TUYAU TEFLON EAU/VAP TEFLON | TEFLON-DICHTUNG X H20/VAP 21X17X2 CNN |
| 6 | 25678003 | TAPPO RUBINETTO KIT THE | STOPPER TAP | BOUCHON ROBINET | STOPPER-HAHN |
| 7 | 12158 | GUARNIZIONE CU RUB.26X20.5X2 | 26X20.5X2 COPPER SEAL | JOINT CUIVRE 3/8 22X17X1.5 | KUPFERDICHTUNG 3/8 22X17X1.5 |
| 8 | 25384 | DADO OTTONE M26X1.5 | BRASS NUT 26X1.5 | ECROU LAITON 26X1.5 | MESSING-MUTTER 26X1.5 |
| 9 | 53003 | CORPO RUBINETTO | TAP BODY | CORPS DE ROBINET | HAHNKÖRPER |
| 10 | 52003879 | TUBO D-8 L.60 MK 31 | TUBE D-6 L.60 MK 31 | TUYAU D-8 L.60 MK 31 | ROHR D-8 L.60 MK 31 |
| 11 | 25686 | RACCORDO 1/4X1/4 FLANGIA | CONNECTOR 1/4 X 1/4 FLANGE | RACCORD 1/4 X 1/4 BRIDE | ANSCHLUSS 1/4X1/4 FLANSCH |
| 12 | 12153 | GUARNIZIONE CU 1/4 17X13.3X1.5 | 1/4 17X13.3X1.5 COPPER SEAL | JOINT CUIVRE 1/4 17X13.3X1.5 | KUPFERDICHTUNG 1/4 17X13.3X1.5 |
| 13 | 18161983 | ELETTRIVALV.VAPORE 1/4 3VIE D.4 230V | STEAM EL.VALVE 230V 1/4 D4 3WAY | EL.VAP. 1/4 D.4 230V | DAMPFVENTIL 1/4 D.4 230V |
| 14 | 10251002 | FILTRO D-11,5 RETE ST. PS.1 | O RING 2031 HNBR 7,66XW1,78 | JOINT OR 2031 HNBR 7,66XW1,78 | OR DICHTUNG 2031 HNBR 7,66XW1,78 |
| 15 | 12329 | GUARNIZIONE OR 2031 HNBR 7.66XW1.78 H2O | O RING 2031 HNBR 7.66XW1.78 | JOINT OR 2031 HNBR 7.66X1.78 | OR DICHTUNG 2031 HNBR 7.66XW1.78 |
| 16 | 25396 | DADO 1/4 SP.4 | NUT 1/4 - 4 THICK | ECROU 1/4 SP.4 | MUTTER 1/4 |
| 17 | 30497001 | REGOLATORE ARIA AUTOSTEAMER '06 | AIRFLOW REGULATOR FOR MILK FROTHER | REGULATEUR AIRE VAPEUR AUTOMATIQUE | LUFTREGLER FUER MILCHAUFSCHAUMER |
| 18 | 15295001 | CLIPS ANTISCOTTATURA 25MM AUTOSTEAMER | ANTISCORCHING CLIP 25MM AUTOSTEAMER | CLIP ANTI-BRULURES VAPEUR AUTOMATIQUE | VERBRENNUNGSSCHUTZKLIPS AUT.DAMPF |
| 19 | 20306001 | SENSORE NTC K10 AUTOSTEAMER | SENSOR NTC AUTOSTEAMER | SENSOR NTC AUTOSTEAMER | SENSOR NTC AUTOSTEAMER |
| 20 | 22715828 | CABLAGGIO SONDA AUTOSTEAMER | CABLE PROBE AUTOMATIC STEAMER | CABLE FICHE VAPEUR AUTOMATIQUE | KABEL MEßSPITZE AUT.DAMPF |





| Pos | Cod. | Denominazione - IT - | Denomination - GB - | Denomination - FR - | Denomination - DE - |
|-----|----------|---|-------------------------------------|---------------------------------------|---------------------------------------|
| 1 | 25763092 | TUBO VAPORE INOX D.8 PER AUTOSTEAMER | STEAM PIPE ASSEMBLY D.8 | TUYAU VAPEUR D.8 | DAMPFROHRSATZ D-8 |
| 2 | 25763090 | TUBO VAPORE+SENSORE | STEAM PIPE + SENSOR | TUYAU VAPEUR + CAPTEUR | DAMPFROHRSTAZ + SENSOR |
| 3 | 12661 | GUARNIZIONE OR CON LUNETTA P.MOLLA | OR REST FOR ST.STEEL STEAM PIPE | OR LUNETTE P.RESSORT TUYAU VAP. | HALBE OR-DICHT.F.FEDER DAMPFROHR ED |
| 4 | 10465 | MOLLA DE 11,5 DF1,5 AISI 302 DV/SP | STAINLESS ST.STEAM PIPE SPRING | RESSORT TUYAU VAP. INOX D.10 | FEDER DAMPFROHR EDELSTAHL D. 10 |
| 5 | 12010 | GUARNIZIONE TEFLON X H20/VAP 21X17X2 | W/S PIPE GASKET TEFLON 21X17X2 | JOINT TUYAU TEFLON EAU/VAP TEFLON | TEFLON-DICHTUNG X H20/VAP 21X17X2 CNN |
| 6 | 25678003 | TAPPO RUBINETTO KIT THE | STOPPER TAP | BOUCHON ROBINET | STOPPER-HAHN |
| 7 | 12158 | GUARNIZIONE CU RUB.26X20.5X2 | 26X20.5X2 COPPER SEAL | JOINT CUIVRE 3/8 22X17X1.5 | KUPFERDICHTUNG 3/8 22X17X1.5 |
| 8 | 25384 | DADO OTTONE M26X1.5 | BRASS NUT 26X1.5 | ECROU LAITON 26X1.5 | MESSING-MUTTER 26X1.5 |
| 9 | 53003 | CORPO RUBINETTO | TAP BODY | CORPS DE ROBINET | HAHNKÖRPER |
| 10 | 25763082 | VENTURI AUTOSTEAMER | VENTURI AUTOSTEAMER | VENTURI AUTOSTEAMER | VENTURI AUTOSTEAMER |
| 11 | 52003883 | TUBO D-6 L.155 MK 35 | TUBE D-6 L.155 MK 35 | TUYAU D-6 L.155 MK 35 | ROHR D-6 L.155 MK 35 |
| 12 | 23203 | RACCORDO OTT.GOM.D6.2 1/4X1/4 CON | ELBOW BRASS CONNECTOR D6.2 1/4X1/4 | RACCORD COUDE LAITON D6.2 1/4X1/4 | MESSING-ANSCHLUSS D6.2 1/4X1/4 |
| 13 | 18161983 | ELETTROVALV.VAPORE 1/4 3VIE D.4 230V | STEAM EL.VALVE 230V 1/4 D4 3WAY | EL.VAP. 1/4 D.4 230V | DAMPFVENTIL 1/4 D.4 230V |
| 14 | 23221002 | PORTAGOMMA ES14 CR SCARICO BACINELLA | HOSE CONNECTION ES14 CR | PORTE-CAOUTCHOUC ES14 CR | GUMMIHALTER ES14 CR |
| 15 | 30499001 | REGOLATORE ARIA | AIR REGULATOR | REGULATEUR DE AIRE | REGLER |
| 16 | 78043126 | SUPPORTO REGOLATORE ARIA | AIR REGULATOR SUPPORT | SUPPORT REGULATEUR DE AIRE | HALTER REGLER |
| 17 | 15476004 | TUBO SILICONE 4X8 KGXMT 0,045 BLU | SILICONE PIPE 4X8 KGX0.045MT BLUE | TUBE SILICONE 4X8 KGXMT 0.045 BLEU | SILIKONSCHLAUCH 4X8 KHXMT 0.045 BLAU |
| 18 | 12329 | GUARNIZIONE OR 2031 HNBR 7.66XW1.78 H2O | O RING 2031 HNBR 7.66XW1.78 | JOINT OR 2031 HNBR 7.66X1.78 | OR DICHTUNG 2031 HNBR 7.66XW1.78 |
| 19 | 15474 | TUBO SILICONE PLATINICO 6X9 | SILICONE HOSE 6X9 KGXMT 0.035 | TUYAU SILICONE 6X9 KGXMT 0.035 | SILIKONROHR 6X9 KGXMT 0.035 |
| 20 | 18162002 | ELETTROVALVOLA 230V AEA VDE | SOL.VALVE WATER REFILL 230V PARKER | ELECTROVANNE REA 230V PARKER | ELEKTROVENTIL AWZ 230V PARKER |
| 21 | 4523216 | RACCORDO OTT.GOM.1/8M CON+P.GOMMA D6 NI | FITTING 1/8 | RACCORD 1/8 | ANSCHLUSSTUCK 1/8 |
| 22 | 15422010 | RACCORDO "Y" POLIPROPILENE D-10 ART.467 | "Y" POLIPROPILENE FITTING | RACCORD "Y" POLIPROPILENE | ANSCHLUSS "Y" POLIPROPILENE |
| 23 | 15295001 | CLIPS ANTISCOTTATURA 25MM AUTOSTEAMER | ANTISCORCHING CLIP 25MM AUTOSTEAMER | CLIP ANTI-BRULURES VAPEUR AUTOMATIQUE | VERBRENNUNGSSCHUTZKLIPS AUT.DAMPF |
| 24 | 20306001 | SENSORE NTC K10 AUTOSTEAMER | SENSOR NTC AUTOSTEAMER | SENSOR NTC AUTOSTEAMER | SENSOR NTC AUTOSTEAMER |
| 25 | 22715809 | CABLAGGIO 2 VAPORE | 2 STEAM WIRING | CABLAGE 2 VAPEUR | VERKABELUNG 2 DAMPF |

