

INDICE - INDEX - SOMMAIRE - VERZEICHNIS

ICT

rev.

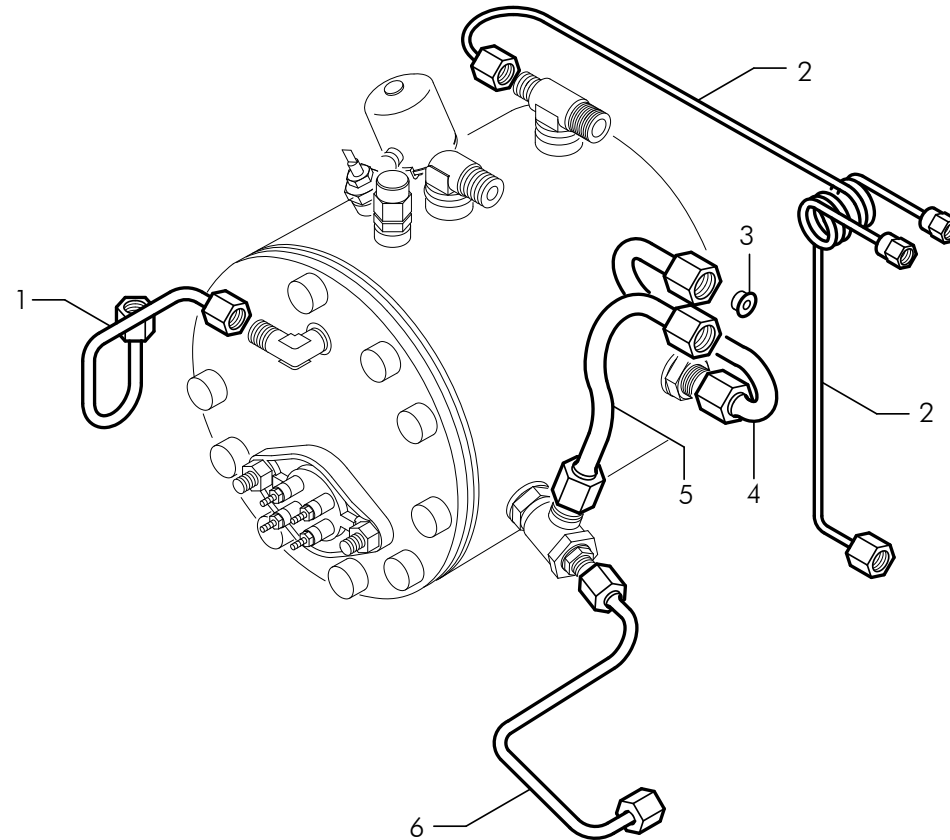
ICT-01	Impianto idraulico scambiatore CTS Hydraulic circuit cartridge heating CTS Circuit hydraulique échangeur CTS Wasser-anlage CTS	AEP/AEAP SMSA/SMAT	JUN	01 <i>02/2010</i>
ICT-02	Impianto idraulico scambiatore CTS Hydraulic circuit cartridge heating CTS Circuit hydraulique échangeur CTS Wasser-anlage CTS	AEP/AEAP SMSA/SMAT	1 GR	01 <i>02/2010</i>
ICT-03	Impianto idraulico scambiatore CTS Hydraulic circuit cartridge heating CTS Circuit hydraulique échangeur CTS Wasser-anlage CTS	AEP/AEAP SMSA/SMAT	2-3-4 GR	01 <i>02/2010</i>
ICT-04	Impianto idraulico scambiatore CTS Hydraulic circuit cartridge heating CTS Circuit hydraulique échangeur CTS Wasser-anlage CTS	SAE SME	JUN	01 <i>02/2010</i>
ICT-05	Impianto idraulico scambiatore CTS Hydraulic circuit cartridge heating CTS Circuit hydraulique échangeur CTS Wasser-anlage CTS	SAE SME	1GR	01 <i>02/2010</i>
ICT-06	Impianto idraulico scambiatore CTS Hydraulic circuit cartridge heating CTS Circuit hydraulique échangeur CTS Wasser-anlage CTS	SAE SME	2-3-4 GR	01 <i>02/2010</i>

Impianto idraulico
CTS

Hydraulic circuit
cartridge heating
CTS

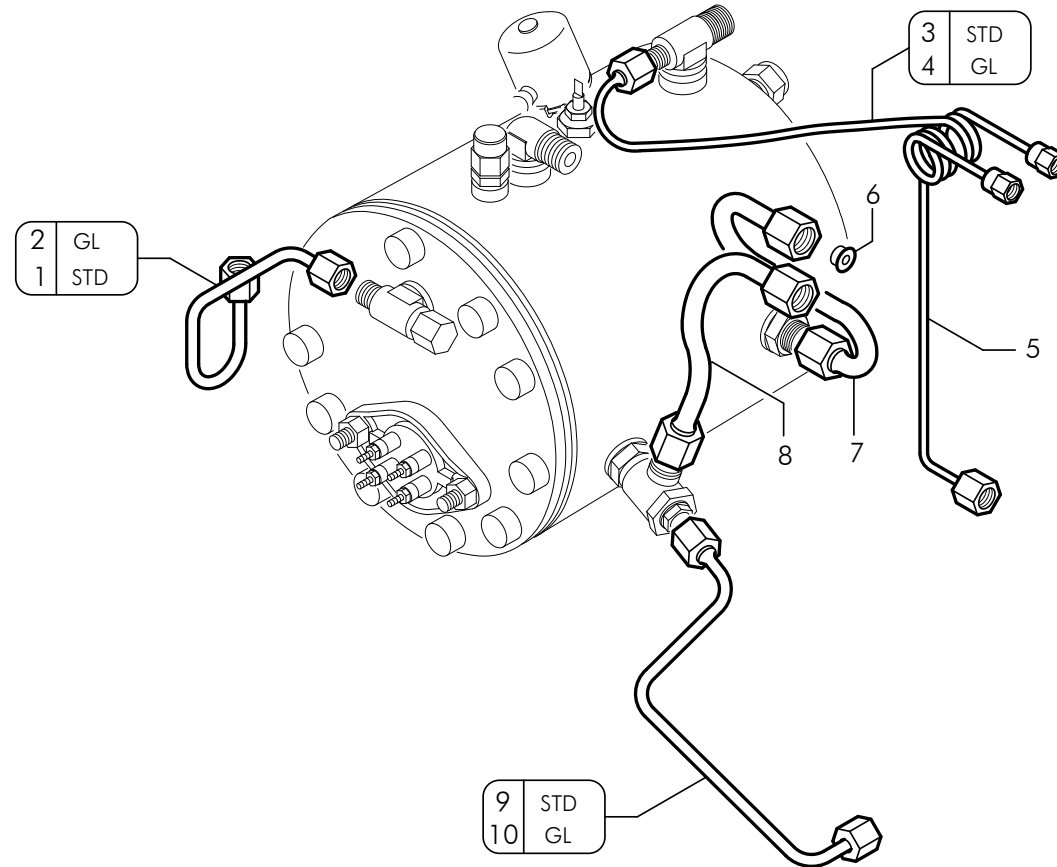
Circuit hydraulique
échangeur
CTS

Wasser-anlage
CTS



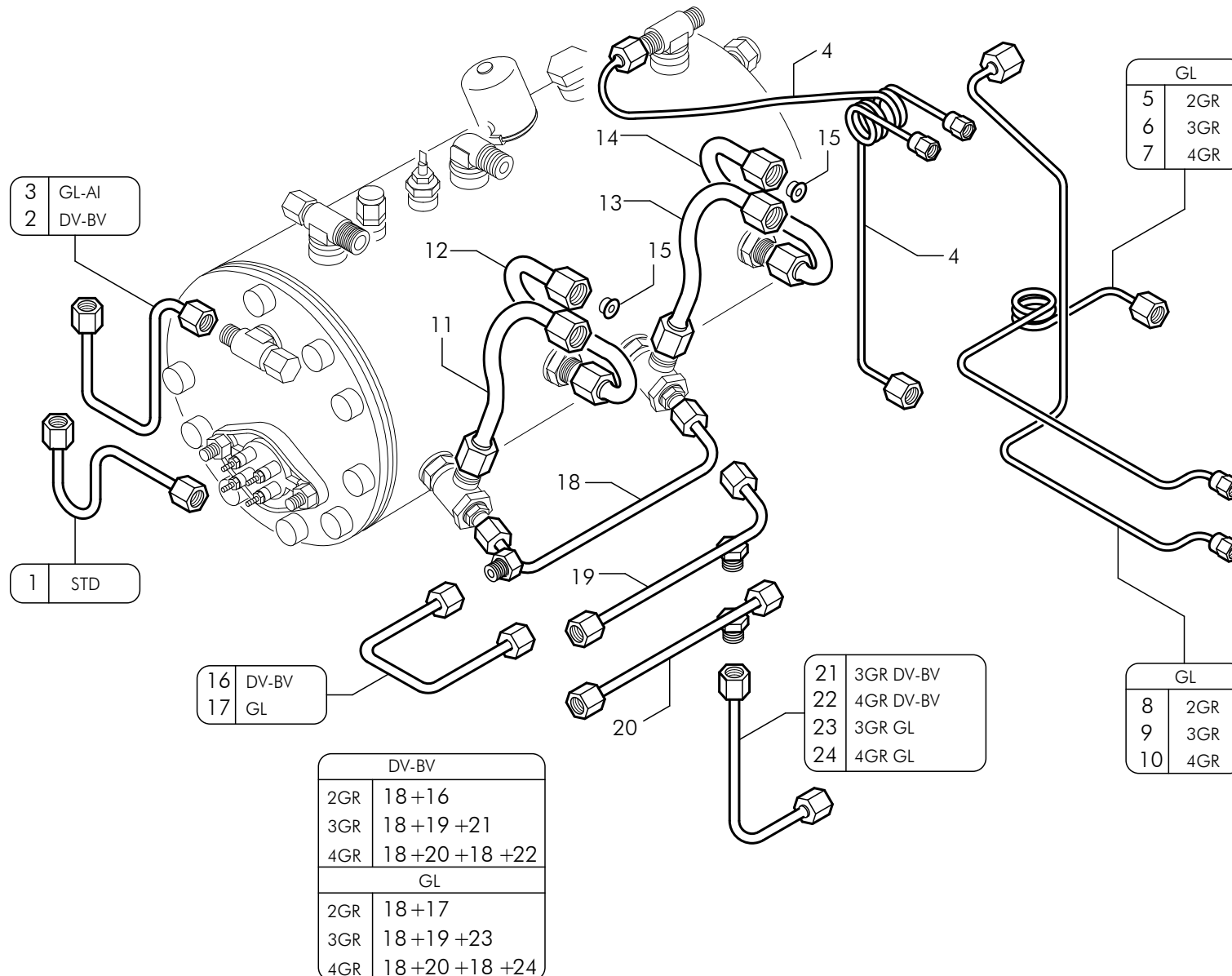
Pos	Cod.	Denominazione - IT -	Denomination - GB -	Denomination - FR -	Denomination - DE -
1	52000249	TUB.D-6 L.205 DV 50 FLANGIA > PRESSOST.	D-6 205 L PIPE DV 50	TUYAU D-6 L.205 DV 5	ROHR D. 6 L.205 DV 5
2	52000110	TBS.D-4 L.730 1-4GR A 44	TUBE D-4 L.730 1-4 GR A 44	TUYAU D-4 L.730 1-4GR A 44	ROHR D-4 L.730 1-4GR A 44
3	23294001	STROZZATURA RICIRCOLO GR CTS D 2.5	CTS UNIT D 2.5 RECIRC. NECK	ETRANGLEMENT RECYCLAGE GR.D.2.5	ENGSTELLE UMWÄLZUNG D. 2.5
3	23294003	STROZZATURA RICIRCOLO GR CTS D 4	CTS UNIT D 4 RECIRC. NECK	ETRANGLEMENT RECYCLAGE GR.D.4	ENGSTELLE UMWÄLZUNG D. 4
4	52000273	TBS.D-10 L.205 DV 74 SCAMB. > GR.	D-10 205 L PIPE DV 74	TUYAU D-10 L.205 DV 7	ROHR D. 10 L.205 DV 7
5	52000272	TBS.D-10 L.135 DV 73	D-10 135 L PIPE DV 73	TUYAU D-10 L.135 DV 7	ROHR D. 10 L.135 DV 7
6	52000349	TBS.D-6 L.415 DV 84/A	D-6 415 L PIPE DV 84/A	TUYAU D-6 L.415 DV 84/A	ROHR D. 6 L.415 DV 84/A





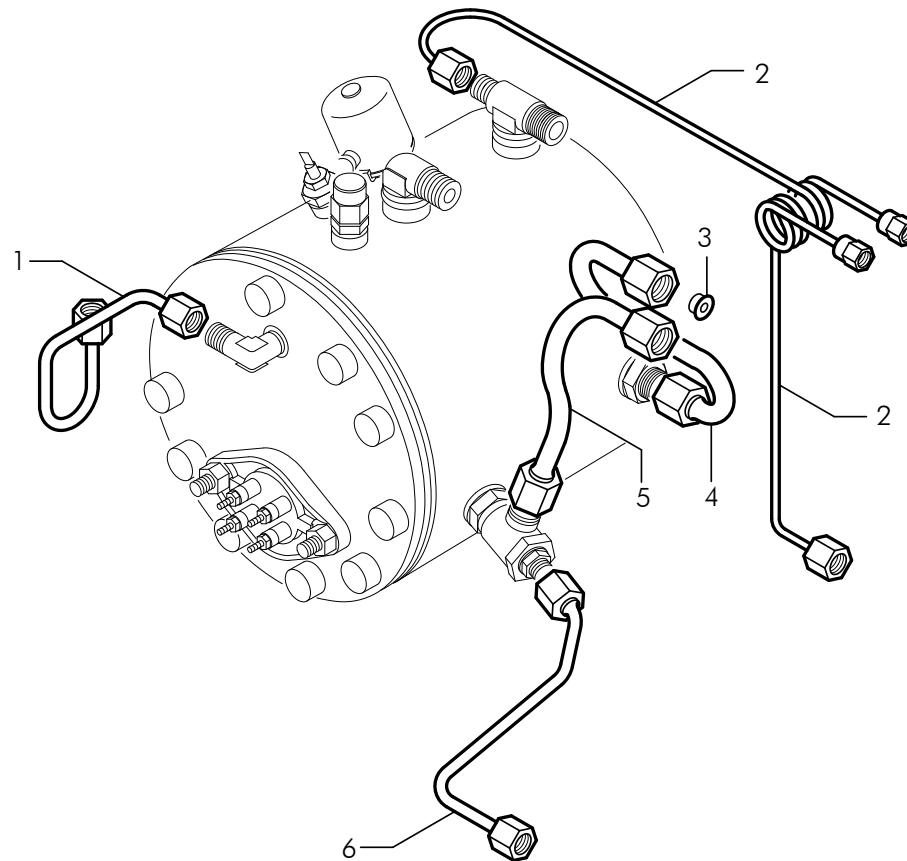
Pos	Cod.	Denominazione - IT -	Denomination - GB -	Denomination - FR -	Denomination - DE -
1	52000249	TUB.D-6 L.205 DV 50 FLANGIA > PRESSOST.	D-6 205 L PIPE DV 50	TUYAU D-6 L.205 DV 5	ROHR D. 6 L.205 DV 5
2	52001420	TUB.D-6 L.190 2GR SCTZ. AR 41 CALD.>PRESS.	TUBE D-6 L.190 2GR	TUYAU D-6 L.190 2GR	ROHR D-6 L.190 2GR
3	52001433	TUBO D-4 L.310 2-3GR CTS AR 56	TUBE D-4 L.310	TUYAU D-4 L.310	ROHR D-4 L.310
4	52000419	TUBO D-4 L.635 1GR GL20	TUBE D-4 L.635 1GR GL20	TUYAU D-4 L.635 1GR GL20	ROHR D-4 L.635 1GR GL20
5	52000110	TBS.D-4 L.730 1-4GR A 44	TUBE D-4 L.730 1-4 GR A 44	TUYAU D-4 L.730 1-4GR A 44	ROHR D-4 L.730 1-4GR A 44
6	23294001	STROZZATURA RICIRCOLO GR CTS D 2.5	CTS UNIT D 2.5 RECIRC. NECK	ETRANGLEMENT RECYCLAGE GR.D.2.5	ENGSTELLE UMWÄLZUNG D. 2.5
6	23294003	STROZZATURA RICIRCOLO GR CTS D 4	CTS UNIT D 4 RECIRC. NECK	ETRANGLEMENT RECYCLAGE GR.D.4	ENGSTELLE UMWÄLZUNG D. 4
7	52003934	TUB.D-10 L.210 1G CTS MU/34GR. > SCAMB.	TUBE D-10 L.210 1G CTS	TUYAU D-10 L.210 1G CTS	ROHR D-10 L.210 1G CTS
8	52000211	TBS.D-10 L.155 DV 12	D-10 155 L PIPE DV 12	TUYAU D-10 L.155 DV 12	ROHR D. 10 L.155 DV 1
9	52000255	TBS.D-6 L.345 DV 56	D-6 370 L PIPE DV 56	TUYAU D-6 L.370 DV 5	ROHR D. 6 L.370 DV 5
10	52000417	TUBO D-6 L.300 GL18	TUBE D-6 L.300 GL18	TUYAU D-6 L.300 GL18	ROHR D-6 L.300 GL18





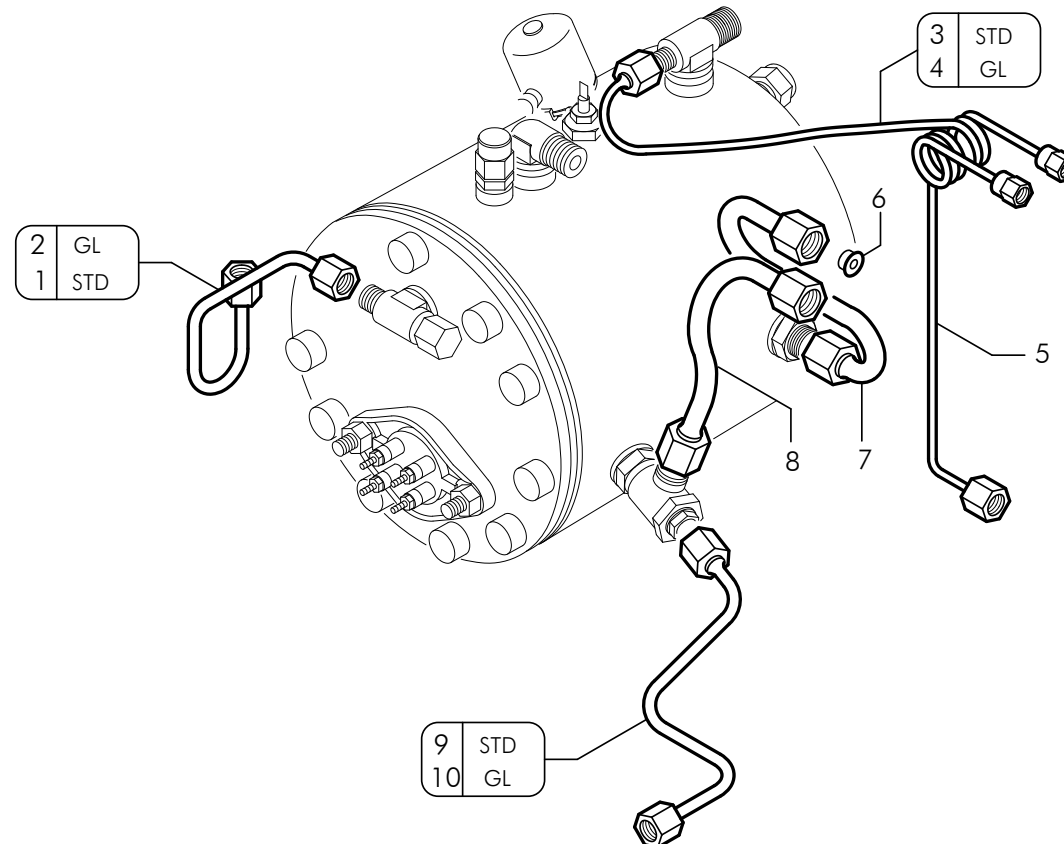
Pos	Cod.	Denominazione - IT -	Denomination - GB -	Denomination - FR -	Denomination - DE -
1	52001420	TUB.D-6 L.190 2GR SCTZ AR41 CALD.>PRESS.	TUBE D-6 L.190 2GR	TUYAU D-6 L.190 2GR	ROHR D-6 L.190 2GR
2	52000220	TUB.D-6 L.220 DV 21 FLANGIA > PRESSOST.	D-6 220 L PIPE DV 21	TUYAU D-6 L.220 DV 2	ROHR D. 6 L.220 DV 2
3	52000110	TBS.D-4 L.730 1-4GR A 44	TUBE D-4 L.730 1-4 GR A 44	TUYAU D-4 L.730 1-4GR A 44	ROHR D-4 L.730 1-4GR A 44
4	52000404	TBS.D-4 L.625 GL5	TUBE D-4 L.625 GL5	TUYAU D-4 L.625 GL5	ROHR D-4 L.625 GL5
5	52000413	TBS.D-4 L.750 GL14	TUBE D-4 L.750 GL14	TUYAU D-4 L.750 GL14	ROHR D-4 L.750 GL14
6	52000428	TBS.D-4 L.870 GL29	TUBE D-4 L.870 GL29	TUYAU D-4 L.870 GL29	ROHR D-4 L.870 GL29
7	52000405	TBS.D-4 L.700 GL6	TUBE D-4 L.700 GL6	TUYAU D-4 L.700 GL6	ROHR D-4 L.700 GL6
8	52000414	TBS.D-4 L.800 GL15	TUBE D-4 L.800 GL15	TUYAU D-4 L.800 GL15	ROHR D-4 L.800 GL15
9	52000429	TBS.D-4 L.880 GL30	TUBE D-4 L.880 GL30	TUYAU D-4 L.880 GL30	ROHR D-4 L.880 GL30
10	52000272	TBS.D-10 L.135 DV 73	D-10 135 L PIPE DV 73	TUYAU D-10 L.135 DV 7	ROHR D. 10 L.135 DV 7
11	52000214	TBS.D-10 L.195 DV 15 SCAMB.SX (OUT)>GR.	D-10 195 L PIPE DV 15	TUYAU D-10 L.195 DV 1	ROHR D. 10 L.195 DV 1
12	52000245	TBS.D-10 L.165 DV 46 SCAMB.IN) > GR.	D-10 165 L PIPE DV 46	TUYAU D-10 L.165 DV 4	ROHR D. 10 L.165 DV 4
13	52003934	TUB.D-10 L.210 1G CTS MU/34GR.> SCAMB.	TUBE D-10 L.210 1G CTS	TUYAU D-10 L.210 1G CTS	ROHR D-10 L.210 1G CTS
14	23294001	STROZZATURA RICIRCOLO GR CTS D 2.5	CTS UNIT D 2.5 RECIRC. NECK	ETRANGLEMENT RECYCLAGE GR.D.2.5	ENGSTELLE UMWÄLZUNG D. 2.5
14	23294003	STROZZATURA RICIRCOLO GR CTS D 4	CTS UNIT D 4 RECIRC. NECK	ETRANGLEMENT RECYCLAGE GR.D.4	ENGSTELLE UMWÄLZUNG D. 4
15	52000325	TBS.D-6 L.225 DV 33/A SCNR > TBS.DV 34	D-6 225 L PIPE DV 33/A	TUYAU D-6 L.225 DV 33/	ROHR D. 6 L.225 DV 33/
16	52000401	TUBO D-6 L.270 GL2	TUBE D-6 L.270 GL2	TUYAU D-6 L.270 GL2	ROHR D-6 L.270 GL2
17	52000233	TBS.D-6 L.230 DV 34	D-6 230 L PIPE DV 34	TUYAU D-6 L.230 DV 3	ROHR D. 6 L.230 DV 3
18	52000326	TBS.D-6 L.250 DV 35/A DV 34 > SCAMB.DX	D-6 250 L PIPE DV 35/A	TUYAU D-6 L.250 DV 35/	ROHR D. 6 L.250 DV 35/
19	52000338	TBS.D-6 L.280 DV 63/A DV34 > TBS.DV 34	D-6 280 L PIPE DV 63/A	TUYAU D-6 L.280 DV 63/	ROHR D. 6 L.280 DV 63/
20	52000327	TBS.D.6 L.125 DV 36/A	D.6 125 L PIPE DV 36/A	TUYAU D.6 L.125 DV 36/A	ROHR D.6 L.125 DV 36/A
21	52000339	TBS.D-6 L.250 DV 64/A SCNR > TBS.DV 63/A	D.6 250 L PIPE DV 64/A	TUYAU D.6 L.250 DV 64/A	ROHR D.6 L.250 DV 64/A
22	52000431	TUB.D-6 L.220 GL32	TUBE D-6 L.220 GL32	TUYAU D-6 L.220 GL32	ROHR D-6 L.220 GL32
23	52000432	TUB.D-8 L.420 GL33	TUBE D-8 L.420 GL33	TUYAU D-8 L.420 GL33	ROHR D-8 L.230 GL33





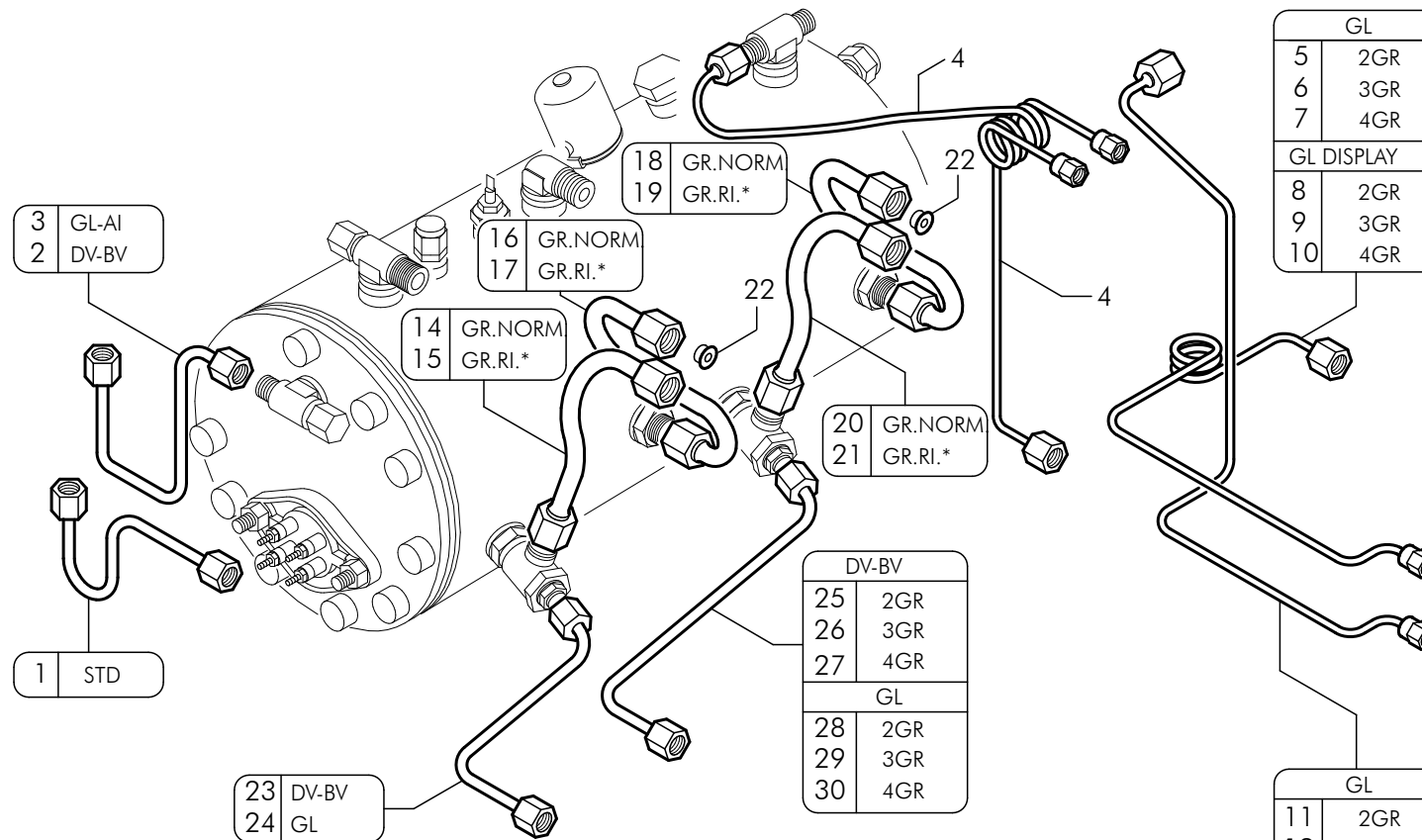
Pos	Cod.	Denominazione - IT -	Denomination - GB -	Denomination - FR -	Denomination - DE -
1	52000249	TUB.D-6 L.205 DV 50 FLANGIA > PRESSOST.	D-6 205 L PIPE DV 50	TUYAU D-6 L.205 DV 5	ROHR D. 6 L.205 DV 5
2	52000110	TBS.D-4 L.730 1-4GR A 44	TUBE D-4 L.730 1-4 GR A 44	TUYAU D-4 L.730 1-4GR A 44	ROHR D-4 L.730 1-4GR A 44
3	23294001	STROZZATURA RICIRCOLO GR CTS D 2.5	CTS UNIT D 2.5 RECIRC. NECK	ETRANGLEMENT RECYCLAGE GR.D.2.5	ENGSTELLE UMWÄLZUNG D. 2.5
3	23294003	STROZZATURA RICIRCOLO GR CTS D 4	CTS UNIT D 4 RECIRC. NECK	ETRANGLEMENT RECYCLAGE GR.D.4	ENGSTELLE UMWÄLZUNG D. 4
4	52000273	TBS.D-10 L.205 DV 74 SCAMB.(OUT) > GR. -	D-10 205 L PIPE DV 74	TUYAU D-10 L.205 DV 7	ROHR D. 10 L.205 DV 7
5	52000272	TBS.D-10 L.135 DV 73	D-10 135 L PIPE DV 73	TUYAU D-10 L.135 DV 7	ROHR D. 10 L.135 DV 7
6	52000271	TBS.D-6 L.250 DV 72 DOSAT. > INIETTORE	D-6 250 L PIPE DV 72	TUYAU D-6 L.250 DV 7	ROHR D. 6 L.250 DV 7





Pos	Cod.	Denominazione - IT -	Denomination - GB -	Denomination - FR -	Denomination - DE -
1	52000249	TUB.D-6 L.205 DV 50 FLANGIA > PRESSOST.	D-6 205 L PIPE DV 50	TUYAU D-6 L.205 DV 5	ROHR D. 6 L.205 DV 5
2	52001420	TUB.D-6 L.190 2GR SCTZ AR41 CALD.> PRESS.	TUBE D-6 L.190 2GR	TUYAU D-6 L.190 2GR	ROHR D-6 L.190 2GR
3	52001433	TUBO D-4 L.310 2-3GR CTS AR 56	TUBE D-4 L.310	TUYAU D-4 L.310	ROHR D-4 L.310
4	52000419	TUBO D-4 L.635 1GR GL20	TUBE D-4 L.635 1GR GL20	TUYAU D-4 L.635 1GR GL20	ROHR D-4 L.635 1GR GL20
5	52000110	TBS.D-4 L.730 1-4GR A 44	TUBE D-4 L.730 1-4 GR A 44	TUYAU D-4 L.730 1-4GR A 44	ROHR D-4 L.730 1-4GR A 44
6	23294001	STROZZATURA RICIRCOLO GR CTS D 2.5	CTS UNIT D 2.5 RECIRC. NECK	ETRANGLEMENT RECYCLAGE GR.D.2.5	ENGSTELLE UMWÄLZUNG D. 2.5
6	23294003	STROZZATURA RICIRCOLO GR CTS D 4	CTS UNIT D 4 RECIRC. NECK	ETRANGLEMENT RECYCLAGE GR.D.4	ENGSTELLE UMWÄLZUNG D. 4
7	52003934	TUB.D-10 L.210 1G CTS MU/34 GR.> SCAMB.	TUBE D-10 L.210 1G CTS	TUYAU D-10 L.210 1G CTS	ROHR D-10 L.210 1G CTS
8	52000211	TBS.D-10 L.155 DV 12	D-10 155 L PIPE DV 12	TUYAU D-10 L.155 DV 12	ROHR D. 10 L.155 DV 1
9	52000244	TBS.D-6 L.280 DV 45	D-6 280 L PIPE DV 45	TUYAU D-6 L.280 DV 4	ROHR D. 6 L.280 DV 4
10	52000420	TUB.D-6 L.250 1GR GL21	TUBE D-6 L.250 GL21	TUYAU D-6 L.250 GL21	ROHR D-6 L.250 GL21





GL	
5	2GR
6	3GR
7	4GR
GL DISPLAY	
8	2GR
9	3GR
10	4GR

DV-BV	
25	2GR
26	3GR
27	4GR
GL	
28	2GR
29	3GR
30	4GR

GL	
11	2GR
12	3GR
13	4GR

DV-BV	
2GR	23+25
3GR	23+25+26
4GR	23+25+26+27
GL	
2GR	24+28
3GR	24+28+29
4GR	24+28+29+30

- *
 - Gruppi rialzati
 - Raised groups
 - Groupes rehaussés
 - Erhoehte Gruppen

Pos	Cod.	Denominazione - IT -	Denomination - GB -	Denomination - FR -	Denomination - DE -
1	52001420	TUB.D-6 L.190 2GR SCTZ AR41 CALD.>PRESS.	TUBE D-6 L.190 2GR	TUYAU D-6 L.190 2GR	ROHR D-6 L.190 2GR
2	52000220	TUB.D-6 L.220 DV 21 FLANGIA > PRESSOST.	D-6 220 L PIPE DV 21	TUYAU D-6 L.220 DV 2	ROHR D. 6 L.220 DV 2
3	52003932	TUBO D-6 L.165	TUBE D-6 L.165	TUYAU D-6 L.165	ROHR D-6 L.165
4	52900110	TUBO D-4 L.730 1-4GR A 44 NI	TUBE D-4 L.730 1-4GR A44 NI ETL	TUYAU D-4 L.730 1-4GR A44 NI ETL	ROHR D-4 L.730 1-4GR A44 NI ETL
5	52000404	TBS.D-4 L.625 GL5	TUBE D-4 L.625 GL5	TUYAU D-4 L.625 GL5	ROHR D-4 L.625 GL5
6	52000413	TBS.D-4 L.750 GL14	TUBE D-4 L.750 GL14	TUYAU D-4 L.750 GL14	ROHR D-4 L.750 GL14
7	52000428	TBS.D-4 L.870 GL29	TUBE D-4 L.870 GL29	TUYAU D-4 L.870 GL29	ROHR D-4 L.870 GL29
8	52000422	TBS.D-4 L.620 GL23	TUBE D-4 L.620 GL23	TUYAU D-4 L.620 GL23	ROHR D-4 L.620 GL23
9	52000423	TBS.D-4 L.750 GL24	TUBE D-4 L.750 GL24	TUYAU D-4 L.750 GL24	ROHR D-4 L.750 GL24
10	52000424	TBS.D-4 L.865 GL25	TUBE D-4 L.865 GL25	TUYAU D-4 L.865 GL25	ROHR D-4 L.865 GL25
11	52000405	TBS.D-4 L.700 GL6	TUBE D-4 L.700 GL6	TUYAU D-4 L.700 GL6	ROHR D-4 L.700 GL6
12	52000414	TBS.D-4 L.800 GL15	TUBE D-4 L.800 GL15	TUYAU D-4 L.800 GL15	ROHR D-4 L.800 GL15
13	52000429	TBS.D-4 L.880 GL30	TUBE D-4 L.880 GL30	TUYAU D-4 L.880 GL30	ROHR D-4 L.880 GL30
14	52000272	TBS.D-10 L.135 DV 73	D-10 135 L PIPE DV 73	TUYAU D-10 L.135 DV 7	ROHR D. 10 L.135 DV 7
15	52000490	TUBO D-10 L.180 GL91	D-10 180 L PIPE GL91	TUYAU D-10 L.180 GL91	ROHR D. 10 L.180 GL91
16	52000214	TBS.D-10 L.195 DV 15 SCAMB.SX (OUT) > GR.	D-10 195 L PIPE DV 15	TUYAU D-10 L.195 DV 1	ROHR D. 10 L.195 DV 1
17	52000489	TUBO D-10 L.240 GL90	D-10 240 L PIPE GL90	TUYAU D-10 L.240 GL90	ROHR D. 10 L.240 GL90
18	52003934	TUB.D-10 L.210 1G CTS MU/34GR.> SCAMB.	TUBE D-10 L.210 1G CTS	TUYAU D-10 L.210 1G CTS	ROHR D-10 L.210 1G CTS
19	52000487	TUBO D-10 L.205 GL88	TUBE D-10 L.205 GL88	TUYAU D-10 L.205 GL88	ROHR D-10 L.205 GL88
20	52000245	TBS.D-10 L.165 DV 46 SCAMB.(IN)> GR.(IN)	D-10 165 L PIPE DV 46	TUYAU D-10 L.165 DV 4	ROHR D. 10 L.165 DV 4
21	52000488	TUBO D-10 L.200 GL89	D-10 200 L PIPE GL89	TUYAU D-10 L.200 GL89	ROHR D. 10 L.200 GL89
22	23294001	STROZZATURA RICIRCOLO GR CTS D 2.5	CTS UNIT D 2.5 RECIRC. NECK	ETRANGLEMENT RECYCLAGE GR.D.2.5	ENGSTELLE UMWÄLZUNG D. 2.5
22	23294003	STROZZATURA RICIRCOLO GR CTS D 4	CTS UNIT D 4 RECIRC. NECK	ETRANGLEMENT RECYCLAGE GR.D.4	ENGSTELLE UMWÄLZUNG D. 4
23	52000230	TUB.D-6 L.240 DV 31 DOSAT.DX > SCAMB.DX	D-6 240 L PIPE DV 31	TUYAU D-6 L.240 DV 3	ROHR D. 6 L.240 DV 3
24	52000403	TUB.D-6 L.310 GL4	TUBE D-6 L.310 GL4	TUYAU D-6 L.310 GL4	ROHR D-6 L.310 GL4
25	52000209	TUB.D-6 L.290 2-3GR DV 10 DOS.DX>INIETT.	D-6 290 L PIPE DV 10	TUYAU D-6 L.290 DV 1	ROHR D. 6 L.290 DV 1
26	52000324	TUB.D-6 L.425 3GR DV 31/A DOS.DX>SCAMB.	D-6 425 L PIPE DV 31/A	TUYAU D-6 L.425 DV 31/	ROHR D. 6 L.425 DV 31/
27	52000337	TUB.D-6 L.500 4GR DV 60/A DOS.DX CENTR.	D-6 500 L PIPE DV 60/A	TUYAU D-6 L.500 DV 60/	ROHR D. 6 L.500 DV 60/
28	52000402	TUB.D-6 L.395 GL3	TUBE D-6 L.395 GL3	TUYAU D-6 L.395 GL3	ROHR D-6 L.395 GL3
29	52000415	TUB.D-6 L.530 GL16	TUBE D-6 L.530 GL16	TUYAU D-6 L.530 GL16	ROHR D-6 L.530 GL16
30	52000430	TUB.D-6 L.590 GL31	TUBE D-6 L.590 GL31	TUYAU D-6 L.590 GL31	ROHR D-6 L.590 GL31

