

INF

INDICE - INDEX - SOMMAIRE - VERZEICHNIS

rev.

INF-01

Impianto idraulico inferiore - Hydraulic circuit lower
Circuit hydraulique inférieure - Wasser-anlage unten

AEP/AEAP
SMSA/SMAT

JUN

01
06/2004

INF-02

Impianto idraulico inferiore - Hydraulic circuit lower
Circuit hydraulique inférieure - Wasser-anlage unten

AEP/AEAP
SMSA/SMAT

1 GR

01
06/2004

INF-03

Impianto idraulico inferiore - Hydraulic circuit lower
Circuit hydraulique inférieure - Wasser-anlage unten

AEP/AEAP
SMSA/SMAT

2-3-4 GR

01
06/2004

INF-04

Impianto idraulico inferiore - Hydraulic circuit lower
Circuit hydraulique inférieure - Wasser-anlage unten

SAE
SME

JUN

01
06/2004

INF-05

Impianto idraulico inferiore - Hydraulic circuit lower
Circuit hydraulique inférieure - Wasser-anlage unten

SAE
SME

1 GR

01
06/2004

INF-06

Impianto idraulico inferiore - Hydraulic circuit lower
Circuit hydraulique inférieure - Wasser-anlage unten

SAE
SME

2-3-4 GR

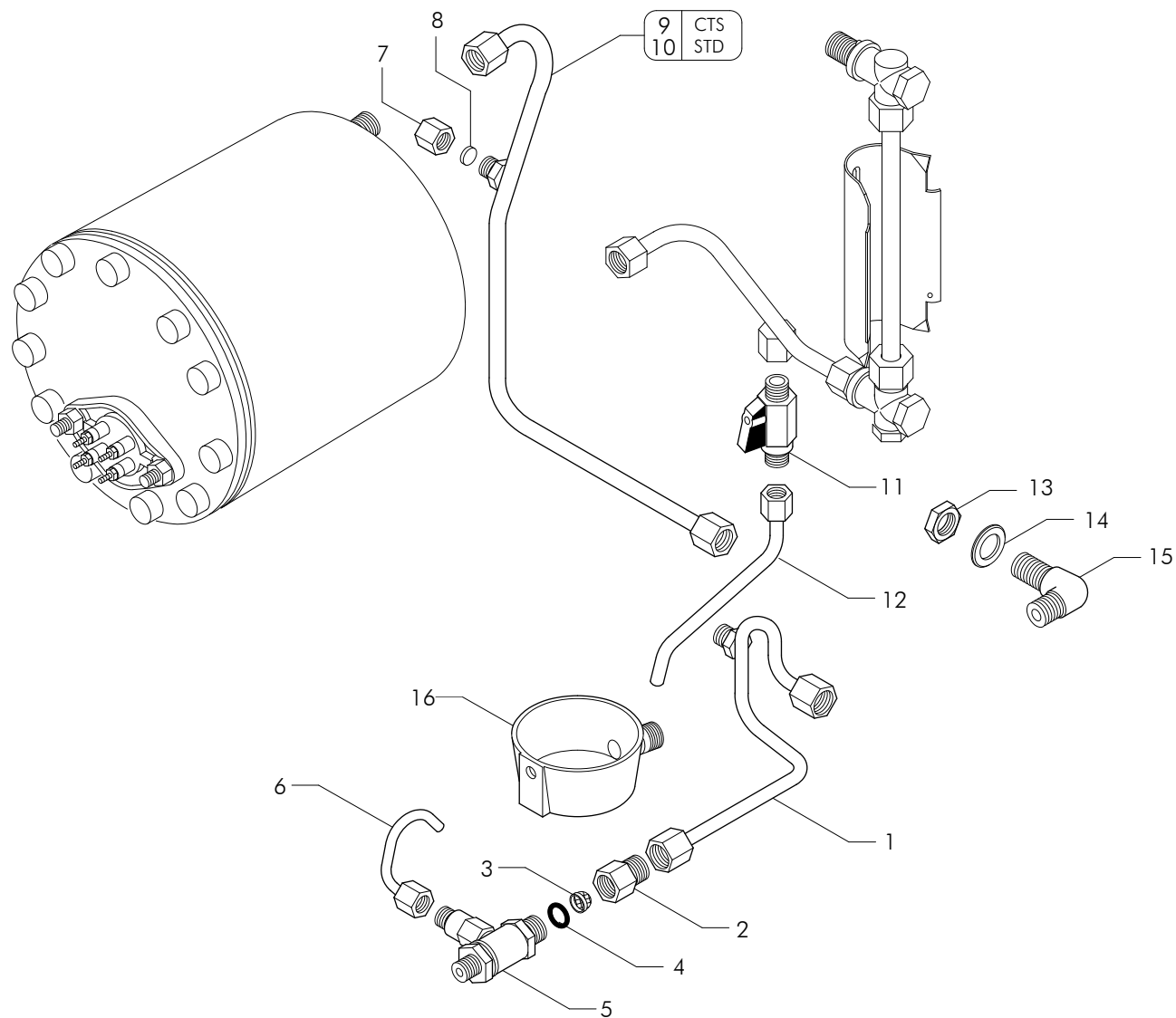
01
06/2004

*Impianto
idraulico
inferiore*

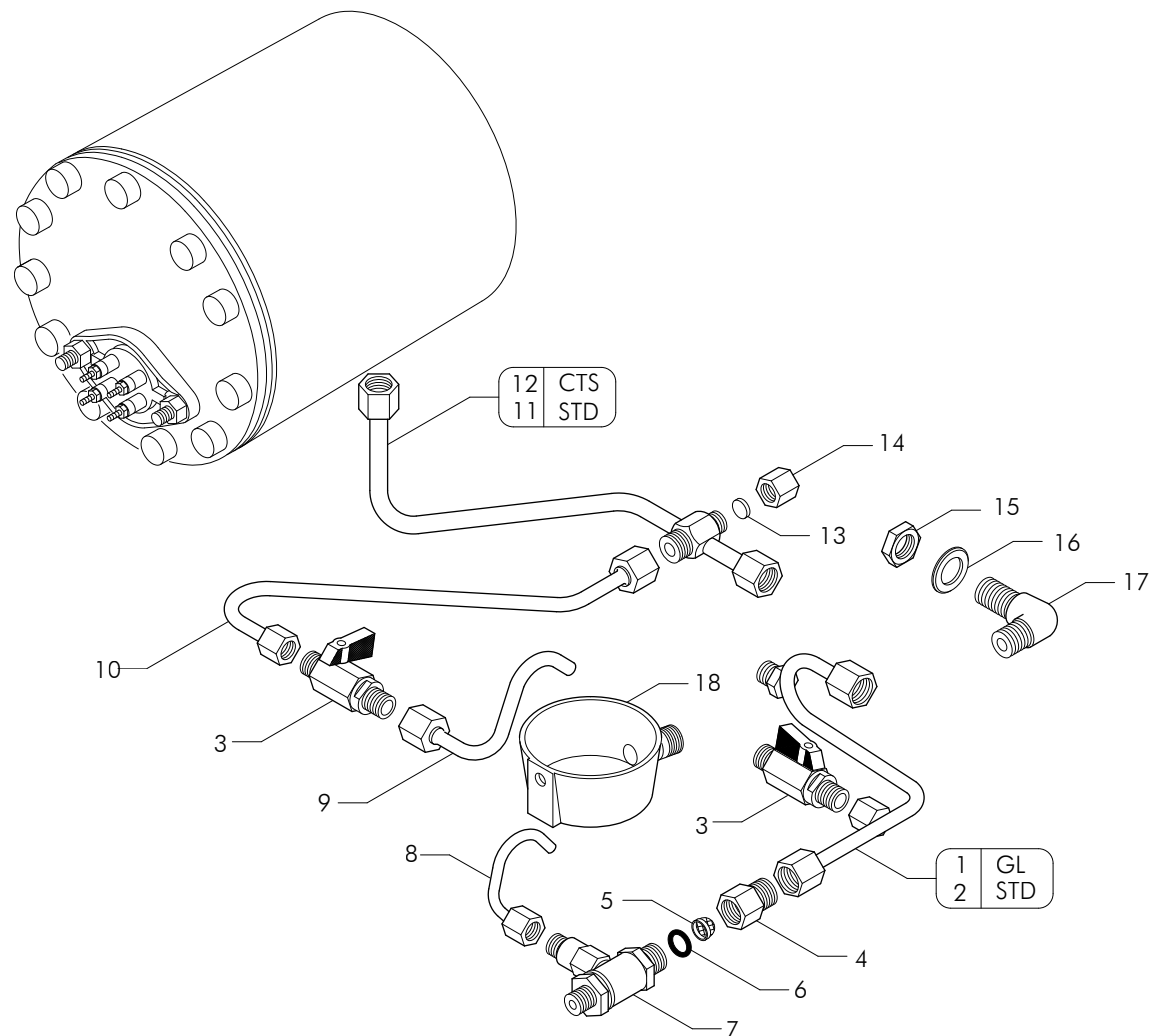
*Hydraulic
circuit lower*

*Circuit
hydraulique
inférieure*

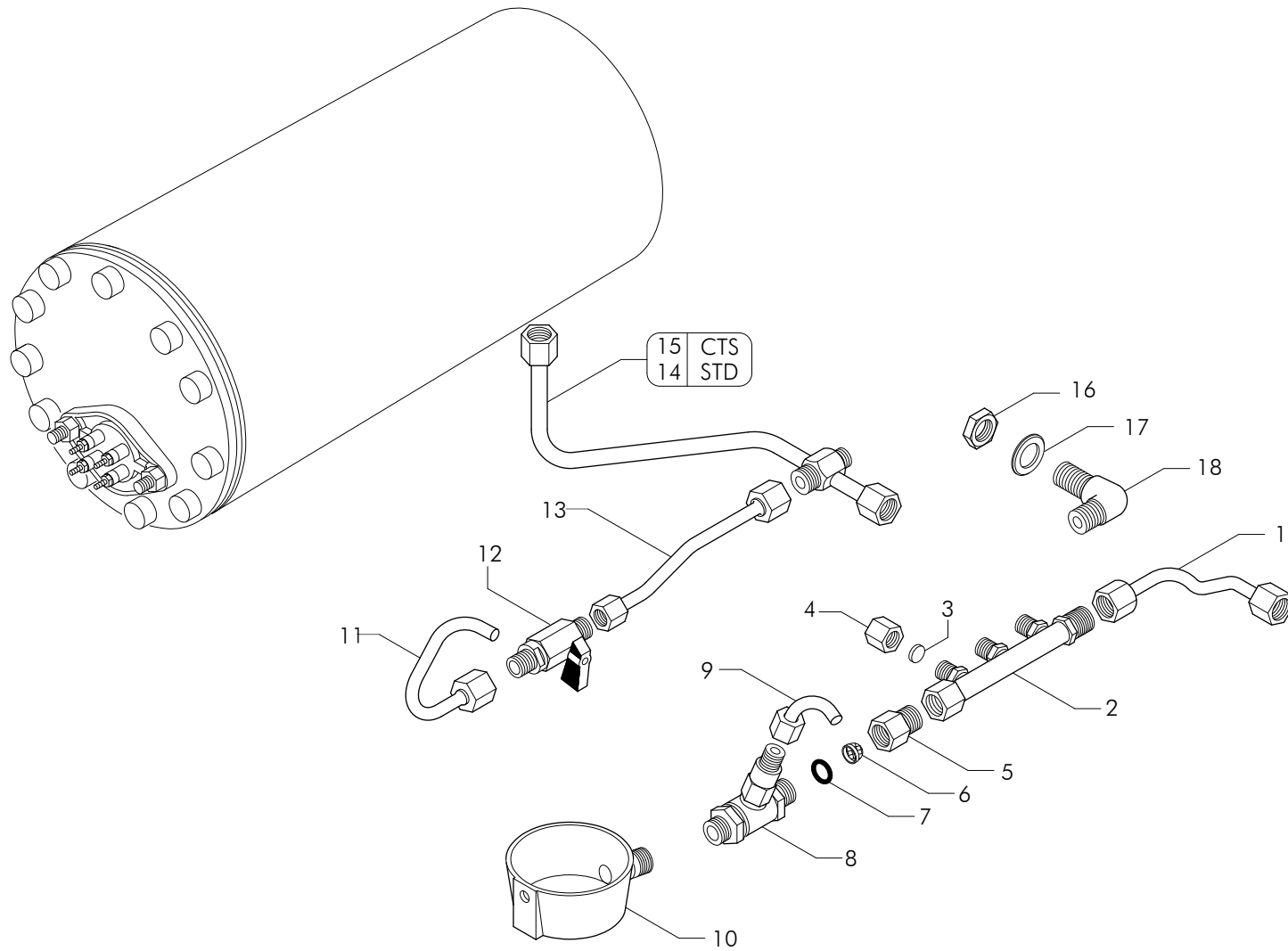
*Wasser-anlage
unten*



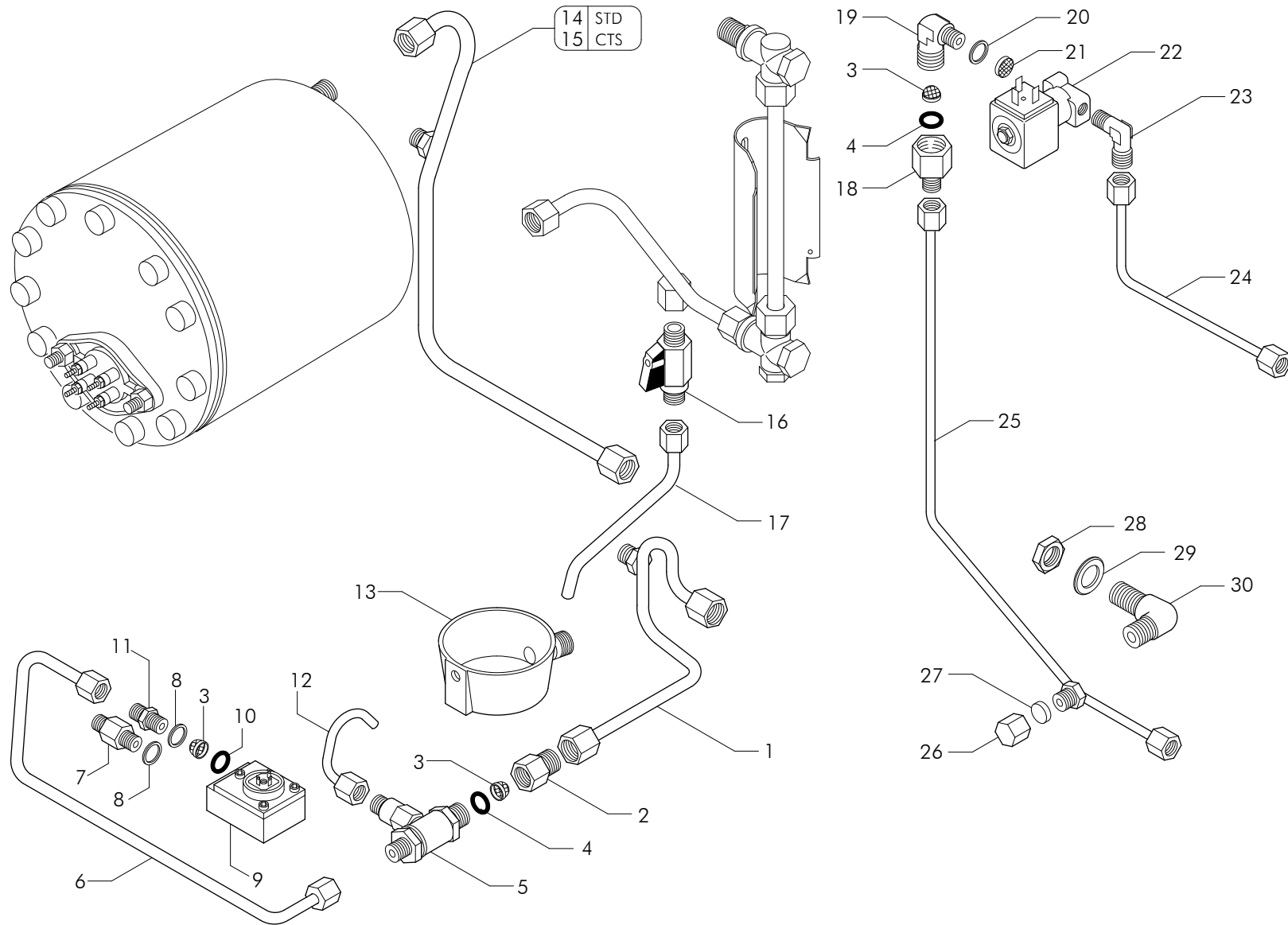
Pos	Cod.	Denominazione - IT -	Denomination - GB -	Denomination - FR -	Denomination - DE -
1	52000268	TUB.D-6 L.130 DV 69 PONTE	D-6 130 L PIPE DV 69	TUYAU D-6 L.130 DV 6	ROHR D. 6 L.130 DV 6
2	25732100	RACCORDO 3/8MX3/8F + SEDE FILTRO	FITTING 3/8MX3/8F	RACCORD 3/8MX3/8F	ANSCHLUSS 3/8MX3/8F
3	10254	FILTRO ACCIAIO 160-200 MESH	STEEL FILTER 160-200 MESH	FILTRE EN ACIER 160-200 MESH	STAHLFILTER 160-200 MESH
4	12312	GUARNIZIONE OR FILTRO AEA 10X2	O RING FOR WATER REFILL FILTER 10X2	JOINT OR FILTRE AUT.REM.EAU 10X2	OR DICHTUNG FUR WASSERFULLUNGFILTER
5	20361	VALVOLA S.C.N.R. REGOLABILE	ADJUSTABLE S.C.N.R. VALVE	SOUPAPE S.C.N.R. REGLABLE	EINSTELLBARES VENTIL S.N.C.R.
6	52001350	TUB.D-6 L.105 2GR SAE LD 41	D-6 105 L PIPE 2GR SAE LD 41	TUYAU D-6 L.105 2GR SAE LD 41	ROHR D-6 L.105 2GR SAE LD 41
7	25782	TAPPO FEMMINA 1/4 GAS	1/4 GAS FEMALE TAP	BOUCHON FEMELLE 1/4 GAZ	INNENANSCHLUSSSTÖPSEL 1/4 GAS
8	12007	GUARNIZIONE KLINGERSIL4400	KLINGERSIL4400 COPPER SEAL	JOINT KLINGERSIL4400 POUR BOUCHON	DICHTUNG KLINGER SIL4400 X DECKEL
9	52001299	TBS.D-10 L.490 1-4GR LD 1CR POMPA	TUBE D-10 L. 490 1-4GR LD 1CR	TUYAU D-10 L.490 1-4GR LD 1CR	ROHR D-10 L.490 1-4GR LD 1CR
10	52000274	TBS.D-10 L.460 JUN DV 75 POMPA	D-10 460 L PIPE DV 75	TUYAU D-10 L.460 DV 7	ROHR D. 10 L.460 DV 7
11	20354	VALVOLA CHIUSURA AEA	PRESSURE RELEASE TAP BULK UNIT	CLAPET FERMETURE AUT.ARRIVEE EAU	ABSPERRVENTIL X AUT.WASSERZUFUHR
12	52000279	TBS.D-8 L.210 DV 80 RUB.SCARICO	D-8 210 L PIPE DV 80	TUYAU D-8 L.210 DV 8	ROHR D. 8 L.210 DV 8
13	25356	CONTRODADO OTTONE 3/8	BRASS LOCK NUT 3/8	CONTRE-ECROU LAITON 3/8	MESSING-GEGENMUTTER 3/8
14	25651	RONDELLA OTTONE 3/8	BRASS WASHER 3/8	RONDELLE LAITON 3/8	MESSINGSCHIEBE 3/8
15	43067	RACCORDO "L" 3/8 GASX3/8 GAS L.30	3/8 GAS X 3/8 GAS L FITTING L.30	RACCORD L 3/8 GAZX3/8 GAZ L.30	ANSCHLUSS L 3/8 GAS X 3/8 GAS L. 30
16	15502	VASCHETTA SCARICO ROTONDA D 80	ROUND DRAIN BASIN D.80MM	CUVE A VIDANGER RONDE D.80MM	RUNDE ABFLUSSCHALE D.80MM



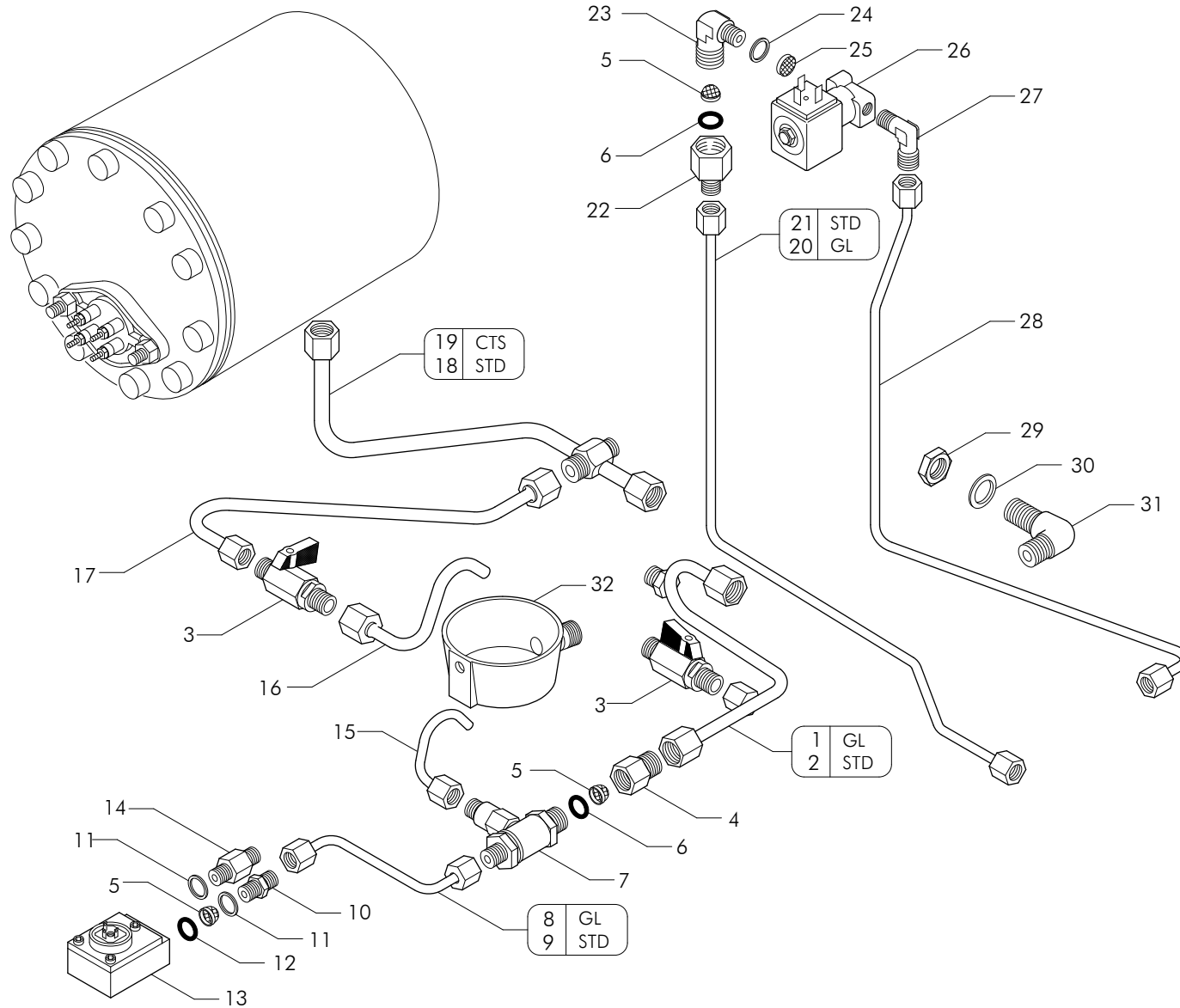
Pos	Cod.	Denominazione - IT -	Denomination - GB -	Denomination - FR -	Denomination - DE -
1	52000427	TBS.D-8 L.230 GL28	TUBE D-8 L.230 GL28	TUYAU D-8 L.230 GL28	ROHR D-8 L.230 GL28
2	52003302	TBS.D-8 L.265	TUBE D-8 L.265	TUYAU D-8 L.265	ROHR D-8 L.265
3	20354	VALVOLA CHIUSURA AEA	PRESSURE RELEASE TAP BULK UNIT	CLAPET FERMETURE AUT.ARRIVEE EAU	ABSPERRVENTIL X AUT.WASSERZUFUHR
3	20354	VALVOLA CHIUSURA AEA	PRESSURE RELEASE TAP BULK UNIT	CLAPET FERMETURE AUT.ARRIVEE EAU	ABSPERRVENTIL X AUT.WASSERZUFUHR
4	25732100	RACCORDO 3/8MX3/8F + SEDE FILTRO	FITTING 3/8MX3/8F	RACCORD 3/8MX3/8F	ANSCHLUSS 3/8MX3/8F
5	10254	FILTRO ACCIAIO 160-200 MESH	STEEL FILTER 160-200 MESH	FILTRE EN ACIER 160-200 MESH	STAHLFILTER 160-200 MESH
6	12312	GUARNIZIONE OR FILTRO AEA 10X2	O RING FOR WATER REFILL FILTER 10X2	JOINT OR FILTRE AUT.REM.EAU 10X2	OR DICHTUNG FUR WASSERFULLUNGFILTER
7	20361	VALVOLA S.C.N.R. REGOLABILE	ADJUSTABLE S.C.N.R. VALVE	SOUPAPE S.C.N.R. REGLABLE	EINSTELLBARES VENTIL S.N.C.R.
8	52001350	TUB.D-6 L.105 2GR SAE LD 41	D-6 105 L PIPE 2GR SAE LD 41	TUYAU D-6 L.105 2GR SAE LD 41	ROHR D-6 L.105 2GR SAE LD 41
9	52000267	TBS.D-8 L.100 DV 68 RUBINETTO SCARICO	D-8 100 L PIPE DV 68	TUYAU D-8 L.100 DV 6	ROHR D. 8 L.100 DV 6
10	52000365	TBS.D-8 L.280 DV 47/A	TUBE D-8 L.280 DV47/A	TUYAU D-8 L.280 DV47/A	ROHR D-8 L.280 DV47/A
11	52001513	TBS.D-10 L.320 AR 63/A POMPA	TUBE D-10 L.320 AR 63/A	TUYAU D-10 L.320 AR 63/A	ROHR D-10 L.320 AR 63/A
12	52002722	TUB.D-6 L.275 2GR AL W 13CALDAIA	TUBE D-6 L.275 W 13	TUYAU D-6 L.275 W 13	ROHR D-6 L.275 W 13
13	12007	GUARNIZIONE KLINGERSIL4400	KLINGERSIL4400 COPPER SEAL	JOINT KLINGERSIL4400 POUR BOUCHON	DICHTUNG KLINGER SIL4400 X DECKEL
14	25782	TAPPO FEMMINA 1/4 GAS	1/4 GAS FEMALE TAP	BOUCHON FEMELLE 1/4 GAZ	INNENANSCHLUSSSTÖPSEL 1/4 GAS
15	25356	CONTRODADO OTTONE 3/8	BRASS LOCK NUT 3/8	CONTRE-ECROU LAITON 3/8	MESSING-GEGENMUTTER 3/8
16	25651	RONDELLA OTTONE 3/8	BRASS WASHER 3/8	RONDELLE LAITON 3/8	MESSINGSCHIEBE 3/8
17	43067	RACCORDO "L" 3/8 GASX3/8 GAS L.30	3/8 GAS X 3/8 GAS L FITTING L.30	RACCORD L 3/8 GAZX3/8 GAZ L.30	ANSCHLUSS L 3/8 GAS X 3/8 GAS L. 30
18	15502	VASCHETTA SCARICO ROTONDA D 80	ROUND DRAIN BASIN D.80MM	CUVE A VIDANGER RONDE D.80MM	RUNDE ABFLUSSCHALE D.80MM



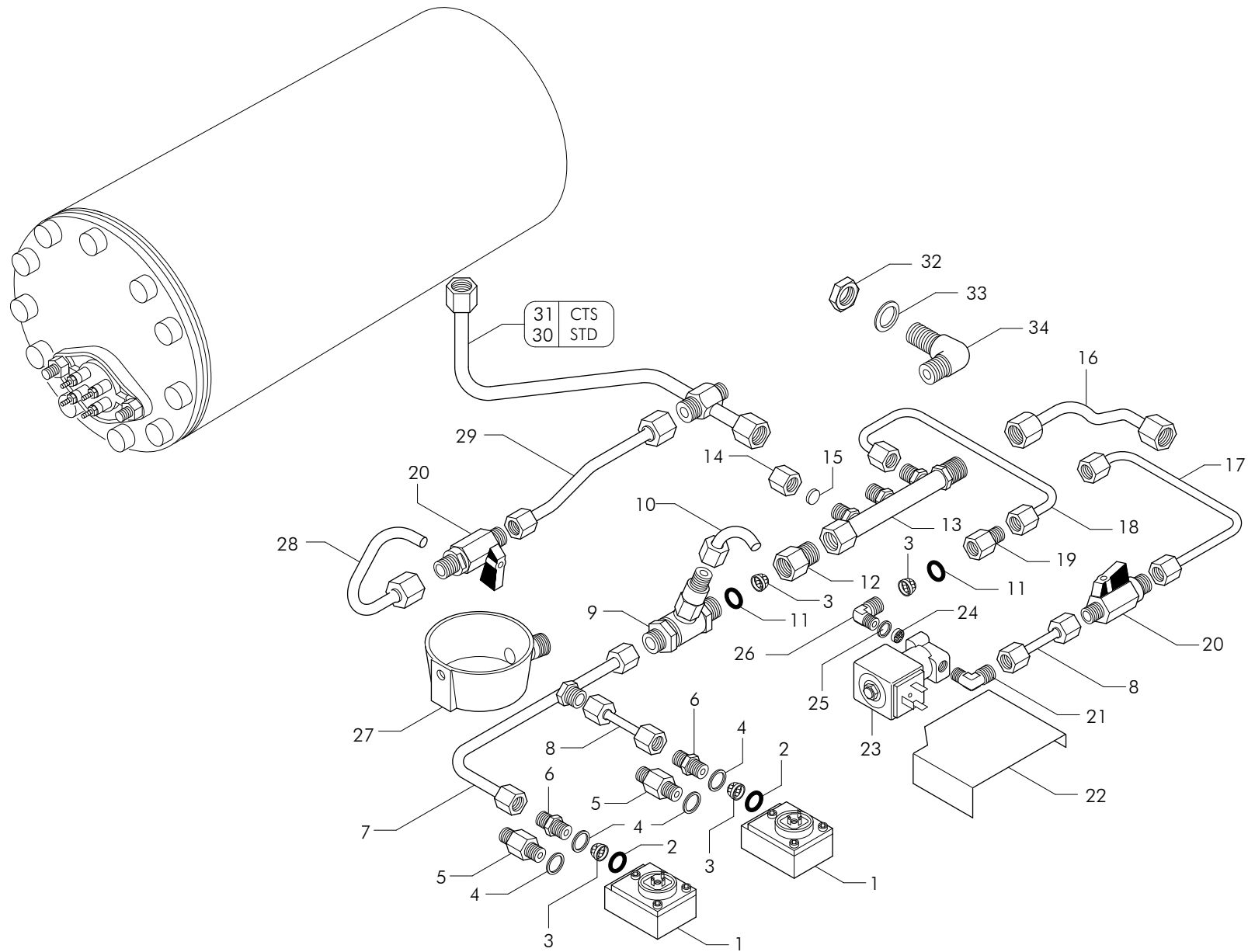
Pos	Cod.	Denominazione - IT -	Denomination - GB -	Denomination - FR -	Denomination - DE -
1	52000367	TBS.D-8 L.150 DV 1/D	TUBE D-8 L.150 DV1/D	TUYAU D-8 L.150 DV1/D	ROHR D-8 L.150 DV1/D
2	56136004	ASSIEME BLOCCO DISTRIBUZ.2-3-4GR	DISTRIBUTION BLOCK 2-3-4GR	BLOC DISTRIBUTION 2-3-4GR	BLOCK VERTEILER 2-3-4GR
3	12007	GUARNIZIONE KLINGERSIL4400	KLINGERSIL4400 COPPER SEAL	JOINT KLINGERSIL4400 POUR BOUCHON	DICHTUNG KLINGER SIL4400 X DECKEL
4	25782	TAPPO FEMMINA 1/4 GAS	1/4 GAS FEMALE TAP	BOUCHON FEMELLE 1/4 GAZ	INNENANSCHLUSSSTÖPSEL 1/4 GAS
5	25732100	RACCORDO 3/8MX3/8F + SEDE FILTRO	FITTING 3/8MX3/8F	RACCORD 3/8MX3/8F	ANSCHLUSS 3/8MX3/8F
6	10254	FILTRO ACCIAIO 160-200 MESH	STEEL FILTER 160-200 MESH	FILTRE EN ACIER 160-200 MESH	STAHLFILTER 160-200 MESH
7	12312	GUARNIZIONE OR FILTRO AEA 10X2	O RING FOR WATER REFILL FILTER 10X2	JOINT OR FILTRE AUT.REM.EAU 10X2	OR DICHTUNG FUR WASSERFULLUNGFILTER
8	20361	VALVOLA S.C.N.R. REGOLABILE	ADJUSTABLE S.C.N.R. VALVE	SOUPAPE S.C.N.R. REGLABLE	EINSTELLBARES VENTIL S.N.C.R.
9	52000336	TUB.D-6 L.270 4GR DV 58/A SCNR	D-6 270 L PIPE DV 58/A	TUYAU D-6 L.270 DV 58/	ROHR D. 6 L.270 DV 58/
9	52001351	TUB.D-6 L.170 2GR SAE LD 42	TUBE D-6 L.170 2GR SAE LD 42	TUYAU D-6 L.170 2GR SAE LD 42	ROHR D-6 L.170 2GR SAE LD 42
9	52002898	TUBO D-6 L.50 3 W169	D-6 50 L3 PIPE W169	TUYAU D-6 L.50 3 W1	ROHR D. 6 L.50 3 W1
10	15502	VASCETTA SCARICO ROTONDA D 80	ROUND DRAIN BASIN D.80MM	CUVE A VIDANGER RONDE D.80MM	RUNDE ABFLUSSCHALE D.80MM
11	52000267	TBS.D-8 L.100 DV 68 RUBINETTO SCARICO	D-8 100 L PIPE DV 68	TUYAU D-8 L.100 DV 6	ROHR D. 8 L.100 DV 6
11	52000362	TBS.D-8 L.255 DV 68/A	TUBE D-8 L.255 DV 68/A	TUYAU D-8 L.255 DV 68/A	ROHR D-8 L.255 DV 68/A
11	52000363	TBS.D-8 L.380 DV 68/B	TUBE D-8 L.380 DV 68/B	TUYAU D-8 L.380 DV 68/B	ROHR D-8 L.380 DV 68/B
12	20354	VALVOLA CHIUSURA AEA	PRESSURE RELEASE TAP BULK UNIT	CLAPET FERMETURE AUT.ARRIVEE EAU	ABSPERRVENTIL X AUT.WASSERZUFUHR
13	52000361	TBS.D-8 L.13 DV 16/A	TUBE D-8 L.135 DV 16/A	TUYAU D-8 L.135 DV 16/A	ROHR D-8 L.135 DV 16/A
14	52001513	TBS.D-10 L.320 AR 63/A POMPA	TUBE D-10 L.320 AR 63/A	TUYAU D-10 L.320 AR 63/A	ROHR D-10 L.320 AR 63/A
15	52002722	TUB.D-6 L.275 2GR AL W 13CALDAIA	TUBE D-6 L.275 W 13	TUYAU D-6 L.275 W 13	ROHR D-6 L.275 W 13
16	25356	CONTRODADO OTTONE 3/8	BRASS LOCK NUT 3/8	CONTRE-ECROU LAITON 3/8	MESSING-GEGENMUTTER 3/8
17	25651	RONDELLA OTTONE 3/8	BRASS WASHER 3/8	RONDELLE LAITON 3/8	MESSINGSCHIEBE 3/8
18	43067	RACCORDO "L" 3/8 GASX3/8 GAS L.30	3/8 GAS X 3/8 GAS L FITTING L.30	RACCORD L 3/8 GAZX3/8 GAZ L.30	ANSCHLUSS L 3/8 GAS X 3/8 GAS L. 30



Pos	Cod.	Denominazione - IT -	Denomination - GB -	Denomination - FR -	Denomination - DE -
1	52000268	TUB.D-6 L.130 DV 69 PONTE	D-6 130 L PIPE DV 69	TUYAU D-6 L.130 DV 6	ROHR D. 6 L.130 DV 6
2	25732100	RACCORDO 3/8MX3/8F + SEDE FILTRO	FITTING 3/8MX3/8F	RACCORD 3/8MX3/8F	ANSCHLUSS 3/8MX3/8F
3	10254	FILTRO ACCIAIO 160-200 MESH	STEEL FILTER 160-200 MESH	FILTRE EN ACIER 160-200 MESH	STAHLFILTER 160-200 MESH
4	12312	GUARNIZIONE OR FILTRO AEA 10X2	O RING FOR WATER REFILL FILTER 10X2	JOINT OR FILTRE AUT.REM.EAU 10X2	OR DICHTUNG FUR WASSERFULLUNGFILTER
5	20361	VALVOLA S.C.N.R. REGOLABILE	ADJUSTABLE S.C.N.R. VALVE	SOUPAPE S.C.N.R. REGLABLE	EINSTELLBARES VENTIL S.N.C.R.
6	52000348	TBS.D-6 L.260 JUN DV 71/A SCNR REG	D-6 260 L PIPE JUN DV 71/A	TUYAU D-6 L.260 JUN DV 71/A	ROHR D-6 L.260 JUN DV 71/A
7	25708	RACCORDO 1/4X1/4	1/4X1/4 FITTING	RACCORD 1/4X1/4	ANSCHLUSS 1/4X1/4
8	12153	GUARNIZIONE CU 1/4 17X13.3X1.5	1/4 17X13.3X1.5 COPPER SEAL	JOINT CUIVRE 1/4 17X13.3X1.5	KUPFERDICHTUNG 1/4 17X13.3X1.5
9	18126	DOSATORE FLOWMETER FH 12 909602	FH 12 907613 FLOWMETER DOSER	DOSEUR FLOWMETER FH 12 907613	DOSIERER FLOWMETER FH 12 907613
10	12329	GUARNIZIONE OR 2031 VITON 7.66XW1.78	O RING 2031 VITON 7.66XW1.78	JOINT OR 2031 VITON 7.66X1.78	OR DICHTUNG 2031 VITON 7.66XW1.78
11	25686	RACCORDO 1/4X1/4 FLANGIA	CONNECTOR 1/4 X 1/4 FLANGE	RACCORD 1/4 X 1/4 BRIDE	ANSCHLUSS 1/4X1/4 FLANSCH
12	52001350	TUB.D-6 L.105 2GR SAE LD 41	D-6 105 L PIPE 2GR SAE LD 41	TUYAU D-6 L.105 2GR SAE LD 41	ROHR D-6 L.105 2GR SAE LD 41
13	15502	VASCHETTA SCARICO ROTONDA D 80	ROUND DRAIN BASIN D.80MM	CUVE A VIDANGER RONDE D.80MM	RUNDE ABFLUSSCHALE D.80MM
14	52001299	TBS.D-10 L.490 1-4GR LD 1CR POMPA	TUBE D-10 L. 490 1-4GR LD 1CR	TUYAU D-10 L.490 1-4GR LD 1CR	ROHR D-10 L.490 1-4GR LD 1CR
15	52000274	TBS.D-10 L.460 JUN DV 75 POMPA	D-10 460 L PIPE DV 75	TUYAU D-10 L.460 DV 7	ROHR D. 10 L.460 DV 7
16	20354	VALVOLA CHIUSURA AEA	PRESSURE RELEASE TAP BULK UNIT	CLAPET FERMETURE AUT.ARRIVEE EAU	ABSPERRVENTIL X AUT.WASSERZUFUHR
17	52000279	TBS.D-8 L.210 DV 80 RUB.SCARICO	D-8 210 L PIPE DV 80	TUYAU D-8 L.210 DV 8	ROHR D. 8 L.210 DV 8
18	25705	RACCORDO FILTRO AEA	AUT.WATER REFILL FILTER CONNECTOR	RACCORD FILTRE REM.EAU.AUT.	FILTERFITTING AUT.WASSERFULLUNG
19	23217	RACCORDO GOMITO D10 3/8X1/8 CON AEA	FITTING D10 3/8X1/8 WITH AWI F 1.2	RACCORD GOMME D10 3/8X1/8 AEE F 1.2	FITTING D10 3/8X1/8 MIT A.W.F. 1.2
20	12155	GUARNIZIONE CU 8.5X5X1	COPPER GASKET 8.5X5X1	JOINT CU 8.5X5X1	CU DICHTUNG 8.5X5X1
21	10251001	FILTRO IN ACCIAIO D-8 SP.0,3	STEEL FILTER D-8 - 0.3 THICK	FILTRE EN ACIER D-8 EP.0,3	STAHLFILTER D-8 SP.0,3
22	18162002	ELETTRIVALVOLA 230V AEA VDE	SOL.VALVE WATER REFILL 230V PARKER	ELECTROVANNE REA 230V PARKER	ELEKTROVENTIL AWZ 230V PARKER
22	18195	ELETTRIVALVOLA 120V VE140.2IR VDE/UL	SOLENOID VALVE SCEM 2/2 110V 60HZ	ELECTROVANNE SCEM 2/2 110V 60HZ	MAGNETVENTIL SCEM 2/2 110V 60HZ
23	23201	RACCORDO OTT.GOM.D6.2 1/4X1/8-AEA	ELBOW BRASS CONNECTOR D6.2 1/4X1/8	RACCORD COUDE LAITON D6.2 1/4X1/8	MESSING-ANSCHLUSS D6.2 1/4X1/8
24	52000115	TUB.D-6 L.160 1-4GR NUOVE A 48/A A.E.A.	TUBE D-6 L.160 1-4GR NEW A 48/A	TUYAU D-6 L.160 1-4GR NOUVEAUA 48/A	ROHR D-6 L. 160 1-4 GR A 48/A
25	52000344	TBS.D-6 L.550 1GR DV 42/C TUB.DV 1/C	TUBE D-6 L.530	TUYAU D-6 L.530	ROHR D-6 L.530
26	25782	TAPPO FEMMINA 1/4 GAS	1/4 GAS FEMALE TAP	BOUCHON FEMELLE 1/4 GAZ	INNENANSCHLUSSSTÖPSEL 1/4 GAS
27	12007	GUARNIZIONE KLINGERSIL4400	KLINGERSIL4400 COPPER SEAL	JOINT KLINGERSIL4400 POUR BOUCHON	DICHTUNG KLINGER SIL4400 X DECKEL
28	25356	CONTRODADO OTTONE 3/8	BRASS LOCK NUT 3/8	CONTRE-ECROU LAITON 3/8	MESSING-GEGENMUTTER 3/8
29	25651	RONDELLA OTTONE 3/8	BRASS WASHER 3/8	RONDELLE LAITON 3/8	MESSINGSCHIEBE 3/8
30	43067	RACCORDO "L" 3/8 GASX3/8 GAS L.30	3/8 GAS X 3/8 GAS L FITTING L.30	RACCORD L 3/8 GAZX3/8 GAZ L.30	ANSCHLUSS L 3/8 GAS X 3/8 GAS L. 30



Pos	Cod.	Denominazione - IT -	Denomination - GB -	Denomination - FR -	Denomination - DE -
1	52000427	TBS.D-8 L.230 GL28	TUBE D-8 L.230 GL28	TUYAU D-8 L.230 GL28	ROHR D-8 L.230 GL28
2	52003302	TBS.D-8 L.265	TUBE D-8 L.265	TUYAU D-8 L.265	ROHR D-8 L.265
3	20354	VALVOLA CHIUSURA AEA	PRESSURE RELEASE TAP BULK UNIT	CLAPET FERMETURE AUT.ARRIVEE EAU	ABSPERRVENTIL X AUT.WASSERZUFUHR
4	25732100	RACCORDO 3/8MX3/8F + SEDE FILTRO	FITTING 3/8MX3/8F	RACCORD 3/8MX3/8F	ANSCHLUSS 3/8MX3/8F
5	10254	FILTRO ACCIAIO 160-200 MESH	STEEL FILTER 160-200 MESH	FILTRE EN ACIER 160-200 MESH	STAHLFILTER 160-200 MESH
6	12312	GUARNIZIONE OR FILTRO AEA 10X2	O RING FOR WATER REFILL FILTER 10X2	JOINT OR FILTRE AUT.REM.EAU 10X2	OR DICHTUNG FUR WASSERFULLUNGFILTER
7	20361	VALVOLA S.C.N.R. REGOLABILE	ADJUSTABLE S.C.N.R. VALVE	SOUPAPE S.C.N.R. REGLABLE	EINSTELLBARES VENTIL S.N.C.R.
8	52000425	TUB.D-6 L.115 GL26	TUBE D-6 L.115 GL26	TUYAU D-6 L.115 GL26	ROHR D-6 L.115 GL26
9	52000359	TUB.D-6 L.180 DV 44/B	D-6 180 L PIPE DV 44/B	TUYAU D-6 L.180 DV 44/B	ROHR D-6 L.180 DV 44/B
10	25686	RACCORDO 1/4X1/4 FLANGIA	CONNECTOR 1/4 X 1/4 FLANGE	RACCORD 1/4 X 1/4 BRIDE	ANSCHLUSS 1/4X1/4 FLANSCH
11	12153	GUARNIZIONE CU 1/4 17X13.3X1.5	1/4 17X13.3X1.5 COPPER SEAL	JOINT CUIVRE 1/4 17X13.3X1.5	KUPFERDICHTUNG 1/4 17X13.3X1.5
12	12329	GUARNIZIONE OR 2031 VITON 7.66XW1.78	O RING 2031 VITON 7.66XW1.78	JOINT OR 2031 VITON 7.66X1.78	OR DICHTUNG 2031 VITON 7.66XW1.78
13	18126	DOSATORE FLOWMETER FH 12 909602	FH 12 907613 FLOWMETER DOSER	DOSEUR FLOWMETER FH 12 907613	DOSIERER FLOWMETER FH 12 907613
14	25708	RACCORDO 1/4X1/4	1/4X1/4 FITTING	RACCORD 1/4X1/4	ANSCHLUSS 1/4X1/4
15	52001350	TUB.D-6 L.105 2GR SAE LD 41	D-6 105 L PIPE 2GR SAE LD 41	TUYAU D-6 L.105 2GR SAE LD 41	ROHR D-6 L.105 2GR SAE LD 41
16	52000267	TBS.D-8 L.100 DV 68 RUBINETTO SCARICO	D-8 100 L PIPE DV 68	TUYAU D-8 L.100 DV 6	ROHR D. 8 L.100 DV 6
17	52000365	TBS.D-8 L.280 DV 47/A	TUBE D-8 L.280 DV47/A	TUYAU D-8 L.280 DV47/A	ROHR D-8 L.280 DV47/A
18	52001513	TBS.D-10 L.320 AR 63/A POMPA	TUBE D-10 L.320 AR 63/A	TUYAU D-10 L.320 AR 63/A	ROHR D-10 L.320 AR 63/A
19	52002722	TUB.D-6 L.275 2GR AL W 13CALDATA	TUBE D-6 L.275 W 13	TUYAU D-6 L.275 W 13	ROHR D-6 L.275 W 13
20	52000426	TUB.D-6 L.550 GL27	TUBE D-6 L.550 GL27	TUYAU D-6 L.550 GL27	ROHR D-6 L.550 GL27
21	52003303	TUBO D-6 L.600 CW 4	TUBE D-6 L.600 CW 4	TUYAU D-6 L.600 CW 4	ROHR D-6 L.600 CW 4
22	25705	RACCORDO FILTRO AEA	AUT.WATER REFILL FILTER CONNECTOR	RACCORD FILTRE REM.EAU.AUT.	FILTERFITTING AUT.WASSERFULLUNG
23	23217	RACCORDO GOMITO D10 3/8X1/8 CON AEA	FITTING D10 3/8X1/8 WITH AWI F 1.2	RACCORD GOMME D10 3/8X1/8 AEE F 1.2	FITTING D10 3/8X1/8 MIT A.W.F. 1.2
24	12155	GUARNIZIONE CU 8.5X5X1	COPPER GASKET 8.5X5X1	JOINT CU 8.5X5X1	CU DICHTUNG 8.5X5X1
25	10251001	FILTRO IN ACCIAIO D-8 SP.0,3	STEEL FILTER D-8 - 0.3 THICK	FILTRE EN ACIER D-8 EP.0,3	STAHLFILTER D-8 SP.0,3
26	18162002	ELETTRIVALVOLA 230V AEA VDE	SOL.VALVE WATER REFILL 230V PARKER	ELECTROVANNE REA 230V PARKER	ELEKTROVENTIL AWZ 230V PARKER
26	18195	ELETTRIVALVOLA 120V VE140.2IR VDE/UL	SOLENOID VALVE SCEM 2/2 110V 60HZ	ELECTROVANNE SCEM 2/2 110V 60HZ	MAGNETVENTIL SCEM 2/2 110V 60HZ
27	23201	RACCORDO OTT.GOM.D6.2 1/4X1/8-AEA	ELBOW BRASS CONNECTOR D6.2 1/4X1/8	RACCORD COUDE LAITON D6.2 1/4X1/8	MESSING-ANSCHLUSS D6.2 1/4X1/8
28	52000366	TUB.D-6 L.585 DV 43/A	TUBE D-6 L.585 DV 43/A	TUYAU D-6 L.585 DV 43/A	ROHR D-6 L.585 DV 43/A
29	25356	CONTRODADO OTTONE 3/8	BRASS LOCK NUT 3/8	CONTRE-ECROU LAITON 3/8	MESSING-GEGENMUTTER 3/8
30	25651	RONDELLA OTTONE 3/8	BRASS WASHER 3/8	RONDELLE LAITON 3/8	MESSINGSCHIEBE 3/8
31	43067	RACCORDO "L" 3/8 GASX3/8 GAS L.30	3/8 GAS X 3/8 GAS L FITTING L.30	RACCORD L 3/8 GAZX3/8 GAZ L.30	ANSCHLUSS L 3/8 GAS X 3/8 GAS L. 30
32	15502	VASCHETTA SCARICO ROTONDA D 80	ROUND DRAIN BASIN D.80MM	CUVE A VIDANGER RONDE D.80MM	RUNDE ABFLUSSCHALE D.80MM



Pos	Cod.	Denominazione - IT -	Denomination - GB -	Denomination - FR -	Denomination - DE -
1	18126	DOSATORE FLOWMETER FH 12 909602	FH 12 907613 FLOWMETER DOSER	DOSEUR FLOWMETER FH 12 907613	DOSIERER FLOWMETER FH 12 907613
2	12329	GUARNIZIONE OR 2031 VITON 7.66XW1.78	O RING 2031 VITON 7.66XW1.78	JOINT OR 2031 VITON 7.66X1.78	OR DICHTUNG 2031 VITON 7.66XW1.78
3	10254	FILTRO ACCIAIO 160-200 MESH	STEEL FILTER 160-200 MESH	FILTRE EN ACIER 160-200 MESH	STAHLFILTER 160-200 MESH
4	12153	GUARNIZIONE CU 1/4 17X13.3X1.5	1/4 17X13.3X1.5 COPPER SEAL	JOINT CUIVRE 1/4 17X13.3X1.5	KUPFERDICHTUNG 1/4 17X13.3X1.5
5	25708	RACCORDO 1/4X1/4	1/4X1/4 FITTING	RACCORD 1/4X1/4	ANSCHLUSS 1/4X1/4
6	25686	RACCORDO 1/4X1/4 FLANGIA	CONNECTOR 1/4 X 1/4 FLANGE	RACCORD 1/4 X 1/4 BRIDE	ANSCHLUSS 1/4X1/4 FLANSCH
7	52000320	TBS.D-8 L.215 DV 2/A	D-8 215 L PIPE DV 2/A	TUYAU D-8 L.215 DV 2/	ROHR D. 8 L.215 DV 2/
7	52000322	TBS.D-8 L.440 DV 29/A	D-8 445 L PIPE DV 29/A	TUYAU D-8 L.445 DV 29/	ROHR D. 8 L.445 DV 29/
7	52000335	TBS.D-8 L.680 DV 57/A SCNR > DOSATORE	D-8 680 L PIPE DV 57/A	TUYAU D-8 L.680 DV 57/	ROHR D. 8 L.680 DV 57/
8	52000202	TBS.D-6 L.65 DV 3	D-6 65 L PIPE DV 3	TUYAU D-6 L.65 DV	ROHR D. 6 L.65 DV
9	20361	VALVOLA S.C.N.R. REGOLABILE	ADJUSTABLE S.C.N.R. VALVE	SOUPAPE S.C.N.R. REGLABLE	EINSTELLBARES VENTIL S.N.C.R.
10	52000336	TUB.D-6 L.270 4GR DV 58/A SCNR	D-6 270 L PIPE DV 58/A	TUYAU D-6 L.270 DV 58/	ROHR D. 6 L.270 DV 58/
10	52001351	TUB.D-6 L.170 2GR SAE LD 42	TUBE D-6 L.170 2GR SAE LD 42	TUYAU D-6 L.170 2GR SAE LD 42	ROHR D. 6 L.170 2GR SAE LD 42
10	52002898	TUB.D-6 L.50 3 W169	D-6 50 L3 PIPE W169	TUYAU D-6 L.50 3 W1	ROHR D. 6 L.50 3 W1
11	12312	GUARNIZIONE OR FILTRO AEA 10X2	O RING FOR WATER REFILL FILTER 10X2	JOINT OR FILTRE AUT.REM.EAU 10X2	OR DICHTUNG FUR WASSERFULLUNGFILTER
12	25732100	RACCORDO 3/8MX3/8F + SEDE FILTRO	FITTING 3/8MX3/8F	RACCORD 3/8MX3/8F	ANSCHLUSS 3/8MX3/8F
13	56136004	ASSIEME BLOCCO DISTRIBUZ.2-3-4GR	DISTRIBUTION BLOCK 2-3-4GR	BLOC DISTRIBUTION 2-3-4GR	BLOCK VERTEILER 2-3-4GR
14	25782	TAPPO FEMMINA 1/4 GAS	1/4 GAS FEMALE TAP	BOUCHON FEMELLE 1/4 GAZ	INNENANSCHLUSSSTÖPSEL 1/4 GAS
15	12007	GUARNIZIONE KLINGERSIL4400	KLINGERSIL4400 COPPER SEAL	JOINT KLINGERSIL4400 POUR BOUCHON	DICHTUNG KLINGER SIL4400 X DECKEL
16	52000367	TBS.D-8 L.150 DV 1/D	TUBE D-8 L.150 DV1/D	TUYAU D-8 L.150 DV1/D	ROHR D-8 L.150 DV1/D
17	52000205	TUB.D-6 L.230 DV 6	D-6 230 L PIPE DV 6	TUYAU D-6 L.230 DV	ROHR D. 6 L.230 DV
18	52000321	TBS.D-6 L.255 DV 5/A	D-6 255 L PIPE DV 5/A	TUYAU D-6 L.255 DV 5/	ROHR D. 6 L.255 DV 5/
19	25705	RACCORDO FILTRO AEA	AUT.WATER REFILL FILTER CONNECTOR	RACCORD FILTRE REM.EAU.AUT.	FILTERFITTING AUT.WASSERFULLUNG
20	20354	VALVOLA CHIUSURA AEA	PRESSURE RELEASE TAP BULK UNIT	CLAPET FERMETURE AUT.ARRIVEE EAU	ABSPERRVENTIL X AUT.WASSERZUFUHR
21	23201	RACCORDO OTT.GOM.D6.2 1/4X1/8-AEA	ELBOW BRASS CONNECTOR D6.2 1/4X1/8	RACCORD COUDE LAITON D6.2 1/4X1/8	MESSING-ANSCHLUSS D6.2 1/4X1/8
22	77604	COPRIELETTRIVALVOLA AEA WO/WN	AEA SOLENOID VALVE COVER	COUVRE-ELECTROVANNE AEA	ABDECKUNG ELEKTROVENTIL AEA
23	18162002	ELETTRIVALVOLA 230V AEA VDE	SOL.VALVE WATER REFILL 230V PARKER	ELECTROVANNE REA 230V PARKER	ELEKTROVENTIL AWZ 230V PARKER
23	18195	ELETTRIVALVOLA 120V VE140.2IR VDE/UL	SOLENOID VALVE SC2M 2/2 110V 60HZ	ELECTROVANNE SC2M 2/2 110V 60HZ	MAGNETVENTIL SC2M 2/2 110V 60HZ
24	10251001	FILTRO IN ACCIAIO D-8 SP.0,3	STEEL FILTER D-8 - 0.3 THICK	FILTRE EN ACIER D-8 EP.0,3	STAHLFILTER D-8 SP.0,3
25	12155	GUARNIZIONE CU 8.5X5X1	COPPER GASKET 8.5X5X1	JOINT CU 8.5X5X1	CU DICHTUNG 8.5X5X1
26	23217	RACCORDO GOMITO D10 3/8X1/8 CON AEA	FITTING D10 3/8X1/8 WITH AWI F 1.2	RACCORD GOMME D10 3/8X1/8 AEE F 1.2	FITTING D10 3/8X1/8 MIT A.W.F. 1.2
27	15502	VASCHETTA SCARICO ROTONDA D 80	ROUND DRAIN BASIN D.80MM	CUVE A VIDANGER RONDE D.80MM	RUNDE ABFLUSSCHALE D.80MM
28	52000267	TBS.D-8 L.100 DV 68 RUBINETTO SCARICO	D-8 100 L PIPE DV 68	TUYAU D-8 L.100 DV 6	ROHR D. 8 L.100 DV 6
28	52000362	TBS.D-8 L.255 DV 68/A	TUBE D-8 L.255 DV 68/A	TUYAU D-8 L.255 DV 68/A	ROHR D-8 L.255 DV 68/A
28	52000363	TBS.D-8 L.380 DV 68/B	TUBE D-8 L.380 DV 68/B	TUYAU D-8 L.380 DV 68/B	ROHR D-8 L.380 DV 68/B
29	52000361	TBS.D-8 L.13 DV 16/A	TUBE D-8 L.135 DV 16/A	TUYAU D-8 L.135 DV 16/A	ROHR D-8 L.135 DV 16/A
30	52001513	TBS.D-10 L.320 AR 63/A POMPA	TUBE D-10 L.320 AR 63/A	TUYAU D-10 L.320 AR 63/A	ROHR D-10 L.320 AR 63/A
31	52002722	TUB.D-6 L.275 2GR AL W 13CALDAIA	TUBE D-6 L.275 W 13	TUYAU D-6 L.275 W 13	ROHR D-6 L.275 W 13
32	25356	CONTRODADO OTTONE 3/8	BRASS LOCK NUT 3/8	CONTRE-ECROU LAITON 3/8	MESSING-GEGENMUTTER 3/8
33	25651	RONDELLA OTTONE 3/8	BRASS WASHER 3/8	RONDELLE LAITON 3/8	MESSINGSCHIEBE 3/8
34	43067	RACCORDO "L" 3/8 GASX3/8 GAS L.30	3/8 GAS X 3/8 GAS L FITTING L.30	RACCORD L 3/8 GAZX3/8 GAZ L.30	ANSCHLUSS L 3/8 GAS X 3/8 GAS L. 30