

## INDICE - INDEX - SOMMAIRE - VERZEICHNIS

# ***MOT***

rev.

**MOT-01**

Motopompa - Motor pump  
Motopompe - Motor pump

**STANDARD**

**04**  
02/2011

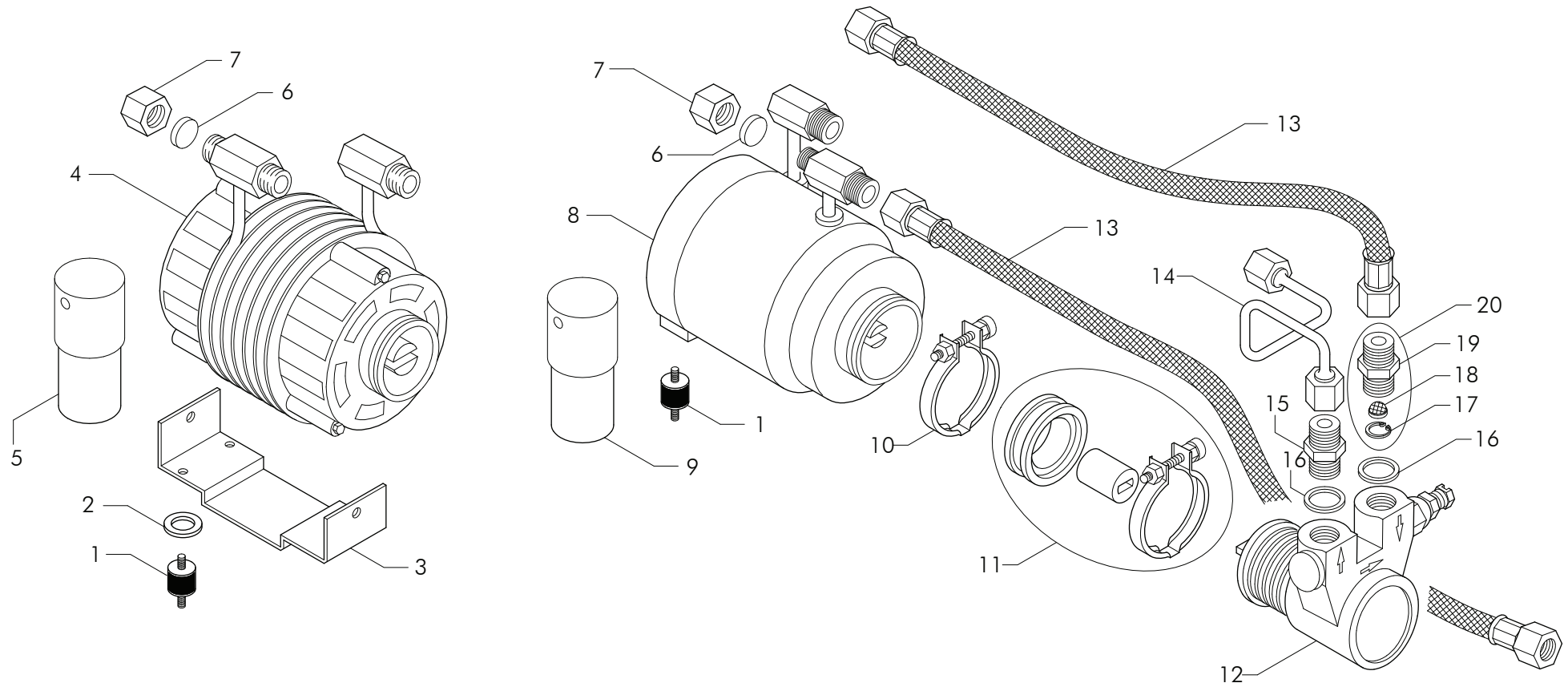
**MOT-02**

Motopompa - Motor pump  
Motopompe - Motor pump

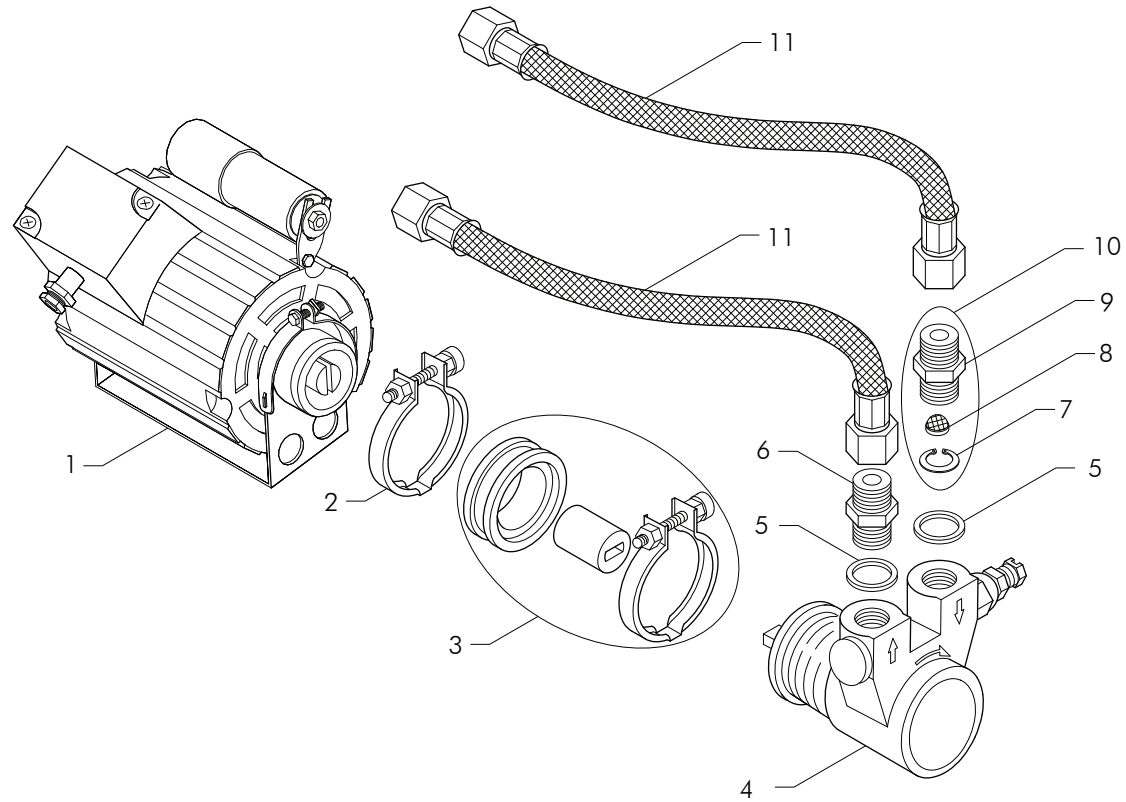
**ESTERNA - EXTERNAL**  
**EXTERNE - EXTERN**

**04**  
02/2011

*Motopompa*  
*Motor pump*  
*Motopompe*  
*Motor pump*



Pos	Cod.	Denominazione - IT -	Denomination - GB -	Denomination - FR -	Denomination - DE -
1	15105	GOMMA AMMORTIZZATORE X MOTORE RAF.H2O	RUBBER FOR WATER COOLED MOTOR	CAOUTCHOUC POUR MOTEUR REFROID.EAU	GUMMI X WASSERGEKÜHLTER MOTOR
2	23265	RONDELLA 4X12	WASHER 4X12	RONDELLE 4X12	SCHIEBE 4X12
3	78174	SUPPORTO MOTORE INCORPORATO R.P.M.	MOTOR BEAR. RPM	SUPPORT MOTEUR RPM	EINGEBAUTER MOTORHALTER RPM
4	56406	MOTORE RPM NI 230V 50/60 R.H2O ASSIEME	MOTOR RPM 230V 50/60HZ H2O	MOTEUR RPM 230V 50/60HZ H2O	MOTOR RPM 230V 50/60HZ H2O
4	56407	MOTORE RPM NI 120V 60HZ R.H2O ASSIEME	MOTOR RPM 120V 60HZ H2O	MOTEUR RPM 120V 60HZ H2O	MOTOR RPM 120V 60HZ H2O
5	19062001	CONDENSATORE MOTORE 230V 7UF	MOTOR CAPACITOR 230V 7UF	CONDENSATEUR MOTEUR 230V 7UF	KONDENSATOR MOTOR 230V 7UF
5	19066001	CONDENSATORE UL 25MF	MOTOR CAPACITOR UL 25MF	CONDENSATEUR MOTEUR UL 25 MF	KONDENSATOR MOTOR UL 25 MF
6	12007	GUARNIZIONE KLINGERSIL4400	KLINGERSIL4400 SEAL	JOINT KLINGERSIL4400 POUR BOUCHON	DICHTUNG KLINGER SIL4400 X DECKEL
7	25782	TAPPO FEMMINA 1/4 GAS	1/4 GAS FEMALE TAP	BOUCHON FEMELLE 1/4 GAZ	INNENANSCHLUSSSTÖPSEL 1/4 GAS
8	56401	MOT.ZEC NI 120V 60HZ R.H2O ASSIEME	MOTOR ZEC 120V 60HZ H2O	MOTEUR ZEC 120V 60HZ H2O	MOTOR ZEC 120V 60HZ H2O
8	56402	MOT.ZEC NI 230V 50/60HZ R.H2O ASSIEME	MOTOR ZEC 230V 50/60HZ H2O	MOTEUR ZEC 230V 50/60HZ H2O	MOTOR ZEC 230V 50/60HZ H2O
9	19050	CONDENSATORE MOTORE 220V 10MF CODOLO	MOTOR CAPACITOR 220V 10MF	CONDENSATEUR MOTEUR 220V 10MF	MOTORKONDENSATOR 220V 10MF
9	19051	CONDENSATORE *UL* MOTORE 110V 20MF	MOTOR CAPACITOR 110V 20MF	CONDENSATEUR MOTEUR 110V 20MF	MOTORKONDENSATOR 110V 20MF
10	26310003	FASCETTA GIUNZIONE MOTORE-POMPA	CLAMP MOTOR-PUMP	BANDE MOTEUR-POMPE	SHELLE MOTOR-PUMPE
11	83260016R	KIT DISACCOPPIAMENTO MOTORE POMPA	KIT COUPLING MOTOR-PUMP	ENSEMBLE DECOUPLAGE MOTEUR POMPE	KIT MOTOR-PUMPE KUPPLUNG
12	26302	POMPA PROCON CO 51509BLF PASSO 3/8GAS	CO 51509 PROCON PUMP, 3/8NPT PITCH	POMPE PROCON CO 51509 PAS 3/8NPT	PUMPE PROCON CO 51509 SCHRITT 3/8N
12	26303	POMPA FLUID-O-TECH PO 204 BY PASS ETL	PO 204 BY PASS PUMP ETL	POMPE PO 204 BY PASS ETL	PUMPE PO 204 BY PASS ETL
13	30404	TUBOFLEX 3/8FF P.GOMMA CON. L45 NI	3/8 FEMALE L45 FLEX PIPE CONICAL HOSE F	TUYAU FLEX 3/8 FF L45 PORTE-TUYAU	SCHLAUCH 3/8 AUFNAHMETÜR L45 GUMMI KONI
14	52002814	TBS.D-6 L.200 1-4GR W 109 POMPA	TUBE D-6 L.225 1-4GR W 109	TUYAU D-6 L.225 1-4GR W 109	ROHR D-6 L.225 1-4GR W 109
15	25687	RACCORDO 3/8X3/8 GAS	3/8X3/8 GAS FITTING	RACCORD 3/8X3/8 GAZ	ANSCHLUSS 3/8X3/8 GAS
16	12154	GUARNIZIONE CU 3/8 22X17X1.5	GASKET, COPPER 3/8 22X17X1,5	JOINT CUIVRE 3/8 22X17X1.5	KUPFERDICHTUNG 3/8 22X17X1.5
17	10005	ANELLO DI ARRESTO INOX DIN472 D11	DIN472 D11 STAINLESS STEEL STOP RING	ANNEAU DE BUTEE INOX DIN472 D11	DRAHTSPRENGRING ROSTFREI DIN472 D11
18	10254	FILTRO ACCIAIO 160-200 MESH	STEEL FILTER 160-200 MESH	FILTRE EN ACIER 160-200 MESH	STAHLFILTER 160-200 MESH
19	25732	RACCORDO 3/8X3/8 + SEDE FILTRO	3/8X3/8 FITTING + FILTER HOUSING	RACCORD 3/8X3/8 + LOG. FILTRE	ANSCHLUSS 3/8X3/8 + FILTERSITZ
20	56116	RACCORDO 3/8+3/8 MOTOPOMPA ASSIEME	CONNECTOR 3/8+3/8 PUMP ASSEMBLY	RACCORD 3/8 + 3/8 ENS. MOTOPOMPE	ANSCHLUSS 3/8 + 3/8 MOTORP. ZUSAMMEN



Pos	Cod.	Denominazione - IT -	Denomination - GB -	Denomination - FR -	Denomination - DE -
1	18302001	MOTORE RPM 220-230/50-60Hz 262W	MOTOR RPM 220-230/50-60Hz 262W	MOTEUR RPM 220-230/50-60Hz 262W	MOTOR RPM 220-230/50-60Hz 262W
1	18307	MOTORE RPM 120V *UL*	MOTOR RPM 120V *UL*	MOTEUR RPM 120V *UL*	MOTOR RPM 120V *UL*
1	18308001	MOTORE RPM 240/50-60Hz	MOTOR RPM 240/50-60Hz	MOTEUR RPM 240/50-60Hz	MOTOR RPM 240/50-60Hz
2	26310003	FASCETTA GIUNZIONE MOTORE-POMPA	CLAMP MOTOR-PUMP	BANDE MOTEUR-POMPE	SHELLE MOTOR-PUMPE
3	83260016R	KIT DISACCOPIAMENTO MOTORE POMPA	KIT COUPLING MOTOR-PUMP	ENSEMBLE DECOUPLAGE MOTEUR POMPE	KIT MOTOR-PUMPE KUPPLUNG
4	26302	POMPA PROCON CO 51509BLF PASSO 3/8GAS	CO 51509 PROCON PUMP, 3/8NPT PITCH	POMPE PROCON CO 51509 PAS 3/8NPT	PUMPE PROCON CO 51509 SCHRITT 3/8N
4	26303	POMPA FLUID-O-TECH PO 204 BY PASS ETL	PO 204 BY PASS PUMP ETL	POMPE PO 204 BY PASS ETL	PUMPE PO 204 BY PASS ETL
4	26303001	POMPA FLUID-O-TECH PO 104 NFS 3/8G	PUMP FLUID-O-TECH PO 104 NSF 3/8G	POMPE FLUID-O-TECH PO104 NFS 3/8G	PUMPE FLUID-O-TECH PO 104 NFS 3/8G
5	12154	GUARNIZIONE CU 3/8 22X17X1.5	3/8 22X17X1.5 COPPER SEAL	JOINT CUIVRE 3/8 22X17X1.5	KUPFERDICHTUNG 3/8 22X17X1.5
6	25687	RACCORDO 3/8X3/8 GAS	3/8X3/8 GAS FITTING	RACCORD 3/8X3/8 GAZ	ANSCHLUSS 3/8X3/8 GAS
7	10005	ANELLO DI ARRESTO INOX DIN472 D11	DIN472 D11 STAINLESS STEEL STOP RING	ANNEAU DE BUTEE INOX DIN472 D11	DRAHTSPRENGRING ROSTFREI DIN472 D11
8	10254	FILTRO ACCIAIO 160-200 MESH	STEEL FILTER 160-200 MESH	FILTRE EN ACIER 160-200 MESH	STAHLFILTER 160-200 MESH
9	25732	RACCORDO 3/8X3/8 + SEDE FILTRO	3/8X3/8 FITTING + FILTER HOUSING	RACCORD 3/8X3/8 + LOG. FILTRE	ANSCHLUSS 3/8X3/8 + FILTERSITZ
10	56116	RACCORDO 3/8+3/8 MOTOPOMPA ASSIEME	CONNECTOR 3/8+3/8 PUMP ASSEMBLY	RACCORD 3/8 + 3/8 ENS. MOTOPOMPE	ANSCHLUSS 3/8 + 3/8 MOTORP. ZUSAMMEN
11	30403	TUBOFLEX 3/8FF P.GOMMA CON. L33 NI	3/8 FEMALE L33 FLEX PIPE CONICAL HOSE F	TUYAU FLEX 3/8 FF L33 PORTE-TUYAU	SCHLAUCH 3/8 AUFNAHMETÜR L33 GUMMI KONI
11	30404	TUBOFLEX 3/8FF P.GOMMA CON. L45 NI	3/8 FEMALE L45 FLEX PIPE CONICAL HOSE F	TUYAU FLEX 3/8 FF L45 PORTE-TUYAU	SCHLAUCH 3/8 AUFNAHMETÜR L45 GUMMI KONI
11	30407	TUBOFLEX 3/8FF P.GOMMA CON. L100 NI	3/8 FEMALE L100 FLEX PIPE CONICAL HOSE	TUYAU FLEX 3/8 FF L100 PORTE-TUYAU	SCHLAUCH 3/8 AUFNAHMETÜR L100 GUMMI KONI
11	30408	TUBOFLEX 3/8FF P.GOMMA CON. L150 NI	3/8 FEMALE L150 FLEX PIPE CONICAL HOSE	TUYAU FLEX 3/8 FF L150 PORTE-TUYAU	SCHLAUCH 3/8 AUFNAHMETÜR L150 GUMMI KONI