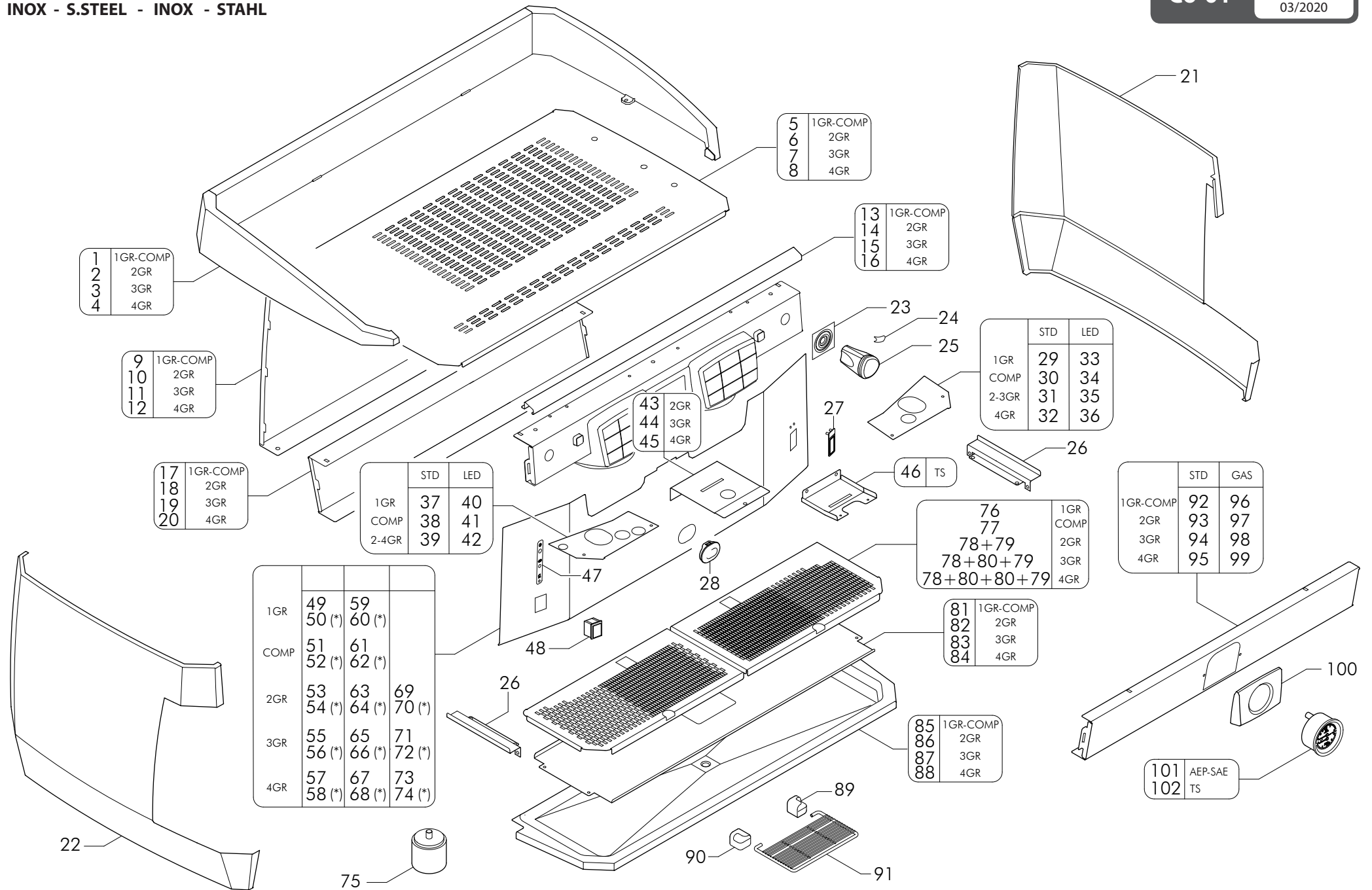


Tav.		Pag.	Rev.	Data
<b>Carrozzeria - Body parts - Carrosserie - Karosserie</b>				
<b>C6-01</b>	Inox - S.Steel - Inox - Stahl	02	02	03/2020
<b>C6-02</b>	Rosso - Red - Rouge - Rot	06	02	03/2020
<b>C6-03</b>	Bianco - White - Blanc - Weiss	10	02	03/2020
<b>Frontone - Front Panel - Panneau Frontal - Stirntafel</b>				
<b>C6-04</b>	Inox - S.Steel - Inox - Stahl	14	02	03/2020
<b>C6-05</b>	Rosso - Red - Rouge - Rot	16	02	03/2020
<b>C6-06</b>	Bianco - White - Blanc - Weiss	18	02	03/2020
<b>C6-11</b>	<b>Pulsantiere - Push buttons - Claviers - Tastaturen</b>	20	03	03/2020
<b>Lancia - Tube - Tuyau - Rohr</b>				
<b>C6-21</b>	Vapore - Steam - Vapeur - Dampf	22	03	03/2020
<b>C6-22</b>	Acqua - Water - Eau - Wasser	24	03	03/2020
<b>C6-23</b>	Autosteamer	26	03	03/2020
<b>Gruppo - Group - Groupe - Gruppe</b>				
<b>C6-31</b>	CTS-58	28	03	03/2020
<b>C6-32</b>	CTS-53	30	03	03/2020
<b>Caldaia - Boiler - Chaudiere - Kessel</b>				
<b>C6-41</b>	1GR	32	03	03/2020
<b>C6-42</b>	COMPATTA	34	03	03/2020
<b>C6-43</b>	2GR	36	03	03/2020
<b>C6-44</b>	3GR	38	03	03/2020
<b>C6-45</b>	4GR	40	03	03/2020

Tav.		Pag.	Rev.	Data
<b>Impianti idraulici - Hydraulic circuits - Circuits hydrauliques - Wasser anlage</b>				
<b>C6-51</b>	AEP 1GR CTS '03	42	03	03/2020
<b>C6-52</b>	AEP 2GR CTS '03	45	03	03/2020
<b>C6-53</b>	AEP 3GR CTS '03	48	03	03/2020
<b>C6-54</b>	AEP 4GR CTS '03	51	03	03/2020
<b>C6-57</b>	AEP 2GR CTS '05	54	03	03/2020
<b>C6-58</b>	AEP 3GR CTS '05	57	03	03/2020
<b>C6-61</b>	AEP COMP	60	03	03/2020
<b>C6-62</b>	SAE COMP	63	03	03/2020
<b>C6-63</b>	SAE 1GR	66	03	03/2020
<b>C6-64</b>	SAE 2GR	69	03	03/2020
<b>C6-65</b>	SAE 3GR	72	03	03/2020
<b>C6-66</b>	SAE 4GR	75	03	03/2020
<b>C6-67</b>	TS 2GR	78	03	03/2020
<b>C6-68</b>	TS 3GR	81	03	03/2020
<b>C6-69</b>	TS 4GR	84	03	03/2020
<b>Impianti elettrici - Electrical systems - Circuits electriques - Strom anlage</b>				
<b>C6-71</b>	AEP/SAE/TS	87	02	03/2020
<b>C6-72</b>	Scaldatasse - Cup heating - Chauffe tasses - Tassenwarmer	90	03	03/2020
<b>C6-73</b>	LED - WI FI	92	02	03/2020
<b>C6-74</b>	<b>Impianto Gas - Gas systems - Installation Gaz - Gasanlage</b>	94	03	03/2020
<b>Motopompa - Motor pump - Motopompe - Motor pump</b>				
<b>C6-81</b>	Interna - Internal - Intérieur - Innen	96	02	03/2020
<b>C6-82</b>	Esterna - External - Externe - Extern	98	02	03/2020
<b>C6-91</b>	<b>Filtri e portafiltri - Filters &amp; filters holder - Filtres et porta filtres - Filter und filterhalter</b>	100	01	03/2020



## INOX - S.STEEL - INOX - STAHL

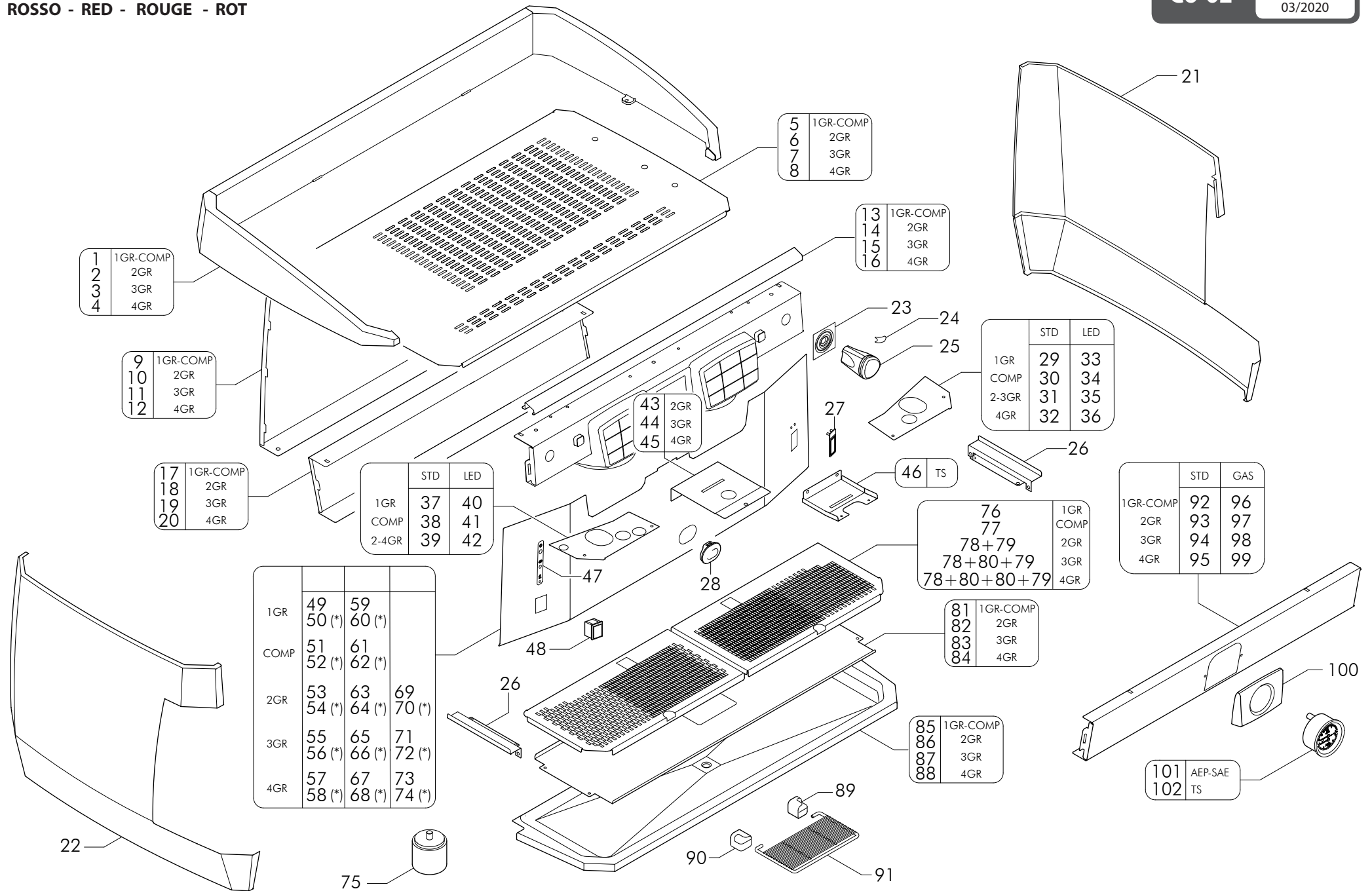
Pos	Cod.	Denominazione - IT -	Denomination - GB -	Denomination - FR -	Denomination - DE -
1	15028199	PROFILO FERMATAZZE 1GR	STOP CUPS 1GR	ARRET TASSES PROFIL 1GR	STOP TASSEN PROFIL 1GR
2	15028200	PROFILO FERMATAZZE 2GR	STOP CUPS 2GR	ARRET TASSES PROFIL 2GR	STOP TASSEN PROFIL 2GR
3	15028201	PROFILO FERMATAZZE 3GR	STOP CUPS 3GR	ARRET TASSES PROFIL 3GR	STOP TASSEN PROFIL 3GR
4	15028202	PROFILO FERMATAZZE 4GR	STOP CUPS 4GR	ARRET TASSES PROFIL 4GR	STOP TASSEN PROFIL 4GR
5	76100268	GRIGLIA SUPERIORE 1GR INOX	TOP GRATE 1GR	GRILLE SUP. 1GR	OBERGITTER 1GR
6	76100269	GRIGLIA SUPERIORE 2GR INOX	TOP GRATE 2GR	GRILLE SUP. 2GR	OBERGITTER 2GR
7	76100270	GRIGLIA SUPERIORE 3GR INOX	TOP GRATE 3GR	GRILLE SUP. 3GR	OBERGITTER 3GR
8	76100271	GRIGLIA SUPERIORE 4GR INOX	TOP GRATE 4GR	GRILLE SUP. 4GR	OBERGITTER 4GR
9	75289100	PANNELLO POSTERIORE 1GR INOX	BACK PANEL 1GR	PANNEAU POST. 1GR	RUCKSEITE 1GR
10	75289101	PANNELLO POSTERIORE 2GR INOX	BACK PANEL 2GR	PANNEAU POST. 2GR	RUCKSEITE 2GR
11	75289102	PANNELLO POSTERIORE 3GR INOX	BACK PANEL 3GR	PANNEAU POST. 3GR	RUCKSEITE 3GR
12	75289103	PANNELLO POSTERIORE 4GR INOX	BACK PANEL 4GR	PANNEAU POST. 4GR	RUCKSEITE 4GR
13	77169117	PROFILO ANTERIORE FERMATAZZE 1GR	FRONT PROFILE 1GR	BARRE DE CHARGE 1GR	FRONTPROFIL 1GR
14	77169118	PROFILO ANTERIORE FERMATAZZE 2GR	FRONT PROFILE 2GR	BARRE DE CHARGE 2GR	FRONTPROFIL 2GR
15	77169119	PROFILO ANTERIORE FERMATAZZE 3GR	FRONT PROFILE 3GR	BARRE DE CHARGE 3GR	FRONTPROFIL 3GR
16	77169120	PROFILO ANTERIORE FERMATAZZE 4GR	FRONT PROFILE 4GR	BARRE DE CHARGE 4GR	FRONTPROFIL 4GR
17	77487008	PROFILO BASAMENTO POST.1GR INOX	S.STEEL BASE SURROUND 1GR	PROFILS BASE 1GR INOX	GRUNDPROFIL 1GR STAHL
18	77487009	PROFILO BASAMENTO POST.2GR INOX	S.STEEL BASE SURROUND 2GR	PROFILS BASE 2GR INOX	GRUNDPROFIL 2GR STAHL
19	77487010	PROFILO BASAMENTO POST.3GR INOX	S.STEEL BASE SURROUND 3GR	PROFILS BASE 3GR INOX	GRUNDPROFIL 3GR STAHL
20	77487011	PROFILO BASAMENTO POST.4GR INOX	S.STEEL BASE SURROUND 4GR	PROFILS BASE 4GR INOX	GRUNDPROFIL 4GR STAHL
21	73130316	FIANCO DESTRO COMPLETO INOX	RIGHT SIDE	COTE DROIT	RECHTS SEITE
22	73130317	FIANCO SINISTRO COMPLETO INOX	LEFT SIDE	COTE GAUCHE	LINKE SEITE
23	15259005	SOFFIETTO	BELLOWS	SOUFFLET	BALG
24	10459	MOLLA INTERNA MANOPOLA	STEEL FLAT SPRING FOR KNOB	RESSORT POIGNEE	FEDER HANDGRIFF
25	15278058	MANOPOLA RUBINETTO	KNOB	POIGNEE	HAHGRIFF
26	77742041	GUIDA BACINELLA DESTRA/SINISTRA	RIGHT/LEFT BASIN GUIDE FOR FRAMES	GUIDE DROIT/GAUCHE CUVE POUR CHASSIS	FUHRUNG RECHTS/LINKS SCHCALE
27	15490980	TAPPO PROTEZIONE PRESA USB	USB SOCKET PROTECTION CAP	BOUCHON DE PROTECTION USB	SCHUTZKAPPE FUR USB-BUCHSE
28	15373070	TAPPO ABS CROMATO FORO GAS	CHROMED CAP	BOUCHON CHROME COUVRE-TROU GAZ	CHROM CAP
29	77279034	COPRIMPIANTO DESTRO 1GR INOX	S.STEEL CABLE COVER RIGHT	COUVRE-CABLAGE DROIT INOX	VERDRAHTUNDECKEL RECHTS STAHL
30	77279038	COPRIMPIANTO DESTRO 2GR/C INOX	S.STEEL CABLE COVER RIGHT	COUVRE-CABLAGE DROIT INOX	VERDRAHTUNDECKEL RECHTS STAHL
31	77279028	COPRIMPIANTO DESTRO 2-3GR INOX	S.STEEL CABLE COVER RIGHT	COUVRE-CABLAGE DROIT INOX	VERDRAHTUNDECKEL RECHTS STAHL
32	77279041	COPRIMPIANTO DESTRO 4GR INOX	S.STEEL CABLE COVER RIGHT	COUVRE-CABLAGE DROIT INOX	VERDRAHTUNDECKEL RECHTS STAHL
33	77279036	COPRIMPIANTO DESTRO+LED 1GR INOX	S.STEEL CABLE COVER+LED RIGHT	COUVRE-CABLAGE+LED DROIT INOX	VERDRAHTUNDECKEL+LED RECHTS STAHL
34	77279036	COPRIMPIANTO DESTRO+LED 1GR INOX	S.STEEL CABLE COVER+LED RIGHT	COUVRE-CABLAGE+LED DROIT INOX	VERDRAHTUNDECKEL+LED RECHTS STAHL
35	77279030	COPRIMPIANTO+LED DESTRO 2-3GR INOX	S.STEEL CABLE COVER+LED RIGHT	COUVRE-CABLAGE+LED DROIT INOX	VERDRAHTUNDECKEL+LED RECHTS STAHL
36	77279042	COPRIMPIANTO+LED DESTRO 4GR INOX	S.STEEL CABLE COVER+LED RIGHT	COUVRE-CABLAGE+LED DROIT INOX	VERDRAHTUNDECKEL+LED RECHTS STAHL
37	77279035	COPRIMPIANTO SINISTRO 1GR INOX	S.STEEL CABLE COVER LEFT	COUVRE-CABLAGE GAUCHE INOX	VERDRAHTUNDECKEL LINKE STAHL
38	77279040	COPRIMPIANTO SINISTRO 2GR/C INOX	S.STEEL CABLE COVER LEFT	COUVRE-CABLAGE GAUCHE INOX	VERDRAHTUNDECKEL LINKE STAHL
39	77279029	COPRIMPIANTO SINISTRO 2-4GR INOX	S.STEEL CABLE COVER LEFT	COUVRE-CABLAGE GAUCHE INOX	VERDRAHTUNDECKEL LINKE STAHL

## INOX - S.STEEL - INOX - STAHL

Pos	Cod.	Denominazione - IT -	Denomination - GB -	Denomination - FR -	Denomination - DE -
40	77279037	COPRIMPIANTO SINISTRO+LED 1GR INOX	.STEEL CABLE COVER LEFT	COUVRE-CABLAGE GAUCHE INOX	VERDRAHTUNDECKEL LINKE STAHL
41	77279037	COPRIMPIANTO SINISTRO+LED 1GR INOX	.STEEL CABLE COVER LEFT	COUVRE-CABLAGE GAUCHE INOX	VERDRAHTUNDECKEL LINKE STAHL
42	77279031	COPRIMPIANTO+LED SINISTRO 2-4GR INOX	S.STEEL CABLE COVER+LED LEFT	COUVRE-CABLAGE+LED GAUCHE INOX	VERDRAHTUNDECKEL+LED LINKE STAHL
43	77279029	COPRIMPIANTO SINISTRO 2-4GR INOX	S.STEEL CABLE COVER LEFT	COUVRE-CABLAGE GAUCHE INOX	VERDRAHTUNDECKEL LINKE STAHL
44	77279031	COPRIMPIANTO+LED SINISTRO 2-4GR INOX	S.STEEL CABLE COVER+LED LEFT	COUVRE-CABLAGE+LED GAUCHE INOX	VERDRAHTUNDECKEL+LED LINKE STAHL
45	77279040	COPRIMPIANTO SINISTRO 2GR/C INOX	S.STEEL CABLE COVER LEFT	COUVRE-CABLAGE GAUCHE INOX	VERDRAHTUNDECKEL LINKE STAHL
46	77230001	SUPPORTO FRONTALINO DISPLAY	PANEL SUPPORT	SUPPORT FRONTAL	STIRNBAUTEIL
47	29066080	ETICHETTA ADESIVA 0-1+LIVELLO+SCTZ	ADHESIVE LABEL 0-1+LIV+SCTZ	ETIQUETTE ADHESIVE 0-1+LIV+SCTZ	KLEBEETIKETTE 0-1+LIV+SCTZ
47	29066081	ETICHETTA ADESIVA 0-1+LIVELLO	ADHESIVE LABEL 0-1+LIV	ETIQUETTE ADHESIVE 0-1+LIV	KLEBEETIKETTE 0-1+LIV
48	15486002	TAPPO FORO INTERRUPTORE	SWITCH HOLE PLUG	CAPUCHON TROU INTERRUPT.	ABDECKUNG SCHALTERLOCH
49	77044500	COPRICALDAIA CTS AEP-1/GR.STD INOX	S.STEEL BOILER COVER AEP/1	COUVRE-CHAUDIERE AEP/1 INOX	KESSELDECKEL AEP/1 STAHL
50	77044505	COPRICALDAIA CTS AEP-1/GR.RIA INOX	S.STEEL BOILER COVER AEP/1 RAIS. GROUP	COUVRE-CHAUDIERE AEP/1 R.GROUPE INOX	KESSELDECKEL AEP/1 R.GROUP STAHL
51	77044501	COPRICALDAIA CTS AEP-2C/GR.STD INOX	S.STEEL BOILER COVER AEP/2C	COUVRE-CHAUDIERE AEP/2C INOX	KESSELDECKEL AEP/2C STAHL
52	77044506	COPRICALDAIA CTS AEP-2C/GR.RIA INOX	S.STEEL BOILER COVER AEP/2 R.GROUP	COUVRE-CHAUDIERE AEP/2C R.GROUPE INOX	KESSELDECKEL AEP/2C R.GRUPPE STAHL
53	77044502	COPRICALDAIA CTS AEP-2/GR.STD INOX	S.STEEL BOILER COVER AEP/2	COUVRE-CHAUDIERE AEP/2 INOX	KESSELDECKEL AEP/2 STAHL
54	77044507	COPRICALDAIA CTS AEP-2/GR.RIA INOX	S.STEEL BOILER COVER AEP/2 R.GROUP	COUVRE-CHAUDIERE AEP/2 R.GROUPE INOX	KESSELDECKEL AEP/2 STAHL R.GRUPPE
55	77044503	COPRICALDAIA CTS AEP-3/GR.STD INOX	S.STEEL BOILER COVER AEP/3	COUVRE-CHAUDIERE AEP/3 INOX	KESSELDECKEL AEP/3 STAHL
56	77044508	COPRICALDAIA CTS AEP-3/GR.RIA INOX	S.STEEL BOILER COVER AEP/3 R.GROUP	COUVRE-CHAUDIERE AEP/3 R.GROUPE INOX	KESSELDECKEL AEP/3 STAHL R.GRUPPE
57	77044504	COPRICALDAIA CTS AEP-4/GR.STD INOX	S.STEEL BOILER COVER AEP/4	COUVRE-CHAUDIERE AEP/4 INOX	KESSELDECKEL AEP/4 STAHL
58	77044509	COPRICALDAIA CTS AEP-4/GR.RIA INOX	S.STEEL BOILER COVER AEP/4 R.GROUP	COUVRE-CHAUDIERE AEP/4 R.GROUPE INOX	KESSELDECKEL AEP/4 R.GRUPPE STAHL
59	77044510	COPRICALDAIA CTS SAE-1/GR.STD INOX	S.STEEL BOILER COVER SAE/1	COUVRE-CHAUDIERE SAE/1 INOX	KESSELDECKEL SAE/1 STAHL
60	77044515	COPRICALDAIA CTS SAE-1/GR.RIA INOX	S.STEEL BOILER COVER SAE/1 R.GROUP	COUVRE-CHAUDIERE SAE/1 R.GROUPE INOX	KESSELDECKEL SAE/1 R.GRUPPE STAHL
61	77044511	COPRICALDAIA CTS SAE-2C/GR.STD INOX	S.STEEL BOILER COVER SAE/2C	COUVRE-CHAUDIERE SAE/2C INOX	KESSELDECKEL SAE/2C STAHL
62	77044516	COPRICALDAIA CTS SAE-2C/GR.RIA INOX	S.STEEL BOILER COVER SAE/2C R.GROUP	COUVRE-CHAUDIERE SAE/2C R.GROUPE INOX	KESSELDECKEL SAE/2C R.GRUPPE STAHL
63	77044512	COPRICALDAIA CTS SAE-2/GR.STD INOX	S.STEEL BOILER COVER SAE/2	COUVRE-CHAUDIERE SAE/2 INOX	KESSELDECKEL SAE/2 STAHL
64	77044517	COPRICALDAIA CTS SAE-2/GR.RIA INOX	S.STEEL BOILER COVER SAE/2 R.GROUP	COUVRE-CHAUDIERE SAE/2 R.GROUPE INOX	KESSELDECKEL SAE/2 R.GRUPPE STAHL
65	77044513	COPRICALDAIA CTS SAE-3/GR.STD INOX	S.STEEL BOILER COVER SAE/3	COUVRE-CHAUDIERE SAE/3 INOX	KESSELDECKEL SAE/3 STAHL
66	77044518	COPRICALDAIA CTS SAE-3/GR.RIA INOX	S.STEEL BOILER COVER SAE/3 R.GROUP	COUVRE-CHAUDIERE SAE/3 R.GROUPE INOX	KESSELDECKEL SAE/3 R.GRUPPE STAHL
67	77044514	COPRICALDAIA CTS SAE-4/GR.STD INOX	S.STEEL BOILER COVER SAE/4	COUVRE-CHAUDIERE SAE/4 INOX	KESSELDECKEL SAE/4 STAHL
68	77044519	COPRICALDAIA CTS SAE-4/GR.RIA INOX	S.STEEL BOILER COVER SAE/4 R.GROUP	COUVRE-CHAUDIERE SAE/4 R.GROUPE INOX	KESSELDECKEL SAE/4 R.GRUPPE STAHL
69	77044522	COPRICALDAIA CTS SAE-2/GR.STD+DISPLAY INOX	S.STEEL BOILER COVER SAE/2+DSP	COUVRE-CHAUDIERE SAE/2+DSP R.GRUPE INOX	KESSELDECKEL SAE/2+DSP R.GRUPPE STAHL
70	77044527	COPRICALDAIA CTS SAE-2/GR.RIA+DISPLAY INOX	S.STEEL BOILER COVER SAE/2+DSP R.GROUP	COUVRE-CHAUDIERE SAE/2+DSP R.GROUPE INOX	KESSELDECKEL SAE/2+DSP R.GRUPPE STAHL
71	77044523	COPRICALDAIA CTS SAE-3/GR.STD+DISPLAY INOX	S.STEEL BOILER COVER SAE/3+DSP	COUVRE-CHAUDIERE SAE/3+DSP INOX	KESSELDECKEL SAE/3+DSP STAHL
72	77044528	COPRICALDAIA CTS SAE-3/GR.RIA+DISPLAY INOX	S.STEEL BOILER COVER SAE/3 R.GROUP	COUVRE-CHAUDIERE SAE/3 R.GROUPE INOX	KESSELDECKEL SAE/3 R.GRUPPE STAHL
73	77044524	COPRICALDAIA CTS SAE-4/GR.STD+DISPLAY INOX	S.STEEL BOILER COVER SAE/4+DSP	COUVRE-CHAUDIERE SAE/4+DSP INOX	KESSELDECKEL SAE/4+DSP STAHL
74	77044529	COPRICALDAIA CTS SAE-4/GR.RIA+DISPLAY INOX	S.STEEL BOILER COVER SAE/4+DSP R.GROUP	COUVRE-CHAUDIERE SAE/4+DSP R.GROUPE INOX	KESSELDECKEL SAE/4+DSP R.GRUPPE
75	15318002	PIEDINO REGOLABILE INOX/SAT H55/69	ADJUSTABLE FOOT H55/69	PIED REGLABLE H55/69	REGELBARER FUSS H55/69

## INOX - S.STEEL - INOX - STAHL

Pos	Cod.	Denominazione - IT -	Denomination - GB -	Denomination - FR -	Denomination - DE -
76	76153008	GRIGLIA INFERIORE 1GR INOX/LUC	LOWER GRILLE 1GR	GRILLE INF. 1GR	UNTERGITTER 1GR
77	76153009	GRIGLIA INFERIORE 2GR/COMP INOX/LUC	LOWER GRILLE 2GR/C	GRILLE INF. 2GR/C	UNTERGITTER 2GR/C
78	76155008	GRIGLIA INFERIORE SINISTRA INOX/LUC	LEFT LOWER GRILLE	GRILLE INF. GAUCHE	LINKE UNTERGITTER
79	76154008	GRIGLIA INFERIORE DESTRA INOX/LUC	RIGHT LOWER GRILLE	GRILLE INF. DROIT	UNTERGITTER RECHTS
80	76156008	GRIGLIA INFERIORE CENTRALE INOX/LUC	LOWER GRILLE	GRILLE INF.	UNTERGITTER
81	77558049	PROTEZIONE SOTTO BACINELLA 1GR	PROTECTION 1GR	PROTECTION 1GR	PROTECTION 1GR
82	77558050	PROTEZIONE SOTTO BACINELLA 2GR	PROTECTION 2GR	PROTECTION 2GR	PROTECTION 2GR
83	77558051	PROTEZIONE SOTTO BACINELLA 3GR	PROTECTION 3GR	PROTECTION 3GR	PROTECTION 3GR
84	77558052	PROTEZIONE SOTTO BACINELLA 4GR	PROTECTION 4GR	PROTECTION 4GR	PROTECTION 4GR
85	76098138	BACINELLA 1GR INOX LUCIDO	SILV.BRIGHT STEEL 1GR TRAY	CUVE 1GR INOX BRILLANT	STAHLSCHALE 1GR
86	76098139	BACINELLA 2GR INOX LUCIDO	SILV.BRIGHT STEEL 2GR TRAY	CUVE 2GR INOX BRILLANT	STAHLSCHALE 2GR
87	76098140	BACINELLA 3GR INOX LUCIDO	SILV.BRIGHT STEEL 3GR TRAY	CUVE 3GR INOX BRILLANT	STAHLSCHALE 3GR
88	76098141	BACINELLA 4GR INOX LUCIDO	SILV.BRIGHT STEEL 4GR TRAY	CUVE 4GR INOX BRILLANT	STAHLSCHALE 4GR
89	25006006	ASS.BLOCCHETTO A SFERA DESTRO GRIGLIA	RIGHT GRID BLOCK	BLOC DE GRILLE DROITE	RECHTS KUGELRASTUNG
90	25006007	ASS.BLOCCHETTO A SFERA SINISTRO GRIGLIA	LEFT GRID BLOCK	BLOC DE GRILLE GAUCHE	LINKE KUGELRASTUNG
91	76149107	GRIGLIA RIALZO TAZZE	CUPS-STAND FOR RAISED GROUP	GRILLE POUR GROUPES REHAISSES	GITTER FUER HOHE GRUPPE
92	77487000	PROFILO BASAMENTO ANT.1GR INOX/S	S.STEEL BASE SURROUND 1GR	PROFILS BASE 1GR INOX	GRUNDPROFIL 1GR STAHL
93	77487001	PROFILO BASAMENTO ANT.2GR INOX/S	S.STEEL BASE SURROUND 2GR	PROFILS BASE 2GR INOX	GRUNDPROFIL 2GR STAHL
94	77487002	PROFILO BASAMENTO ANT.3GR INOX/S	S.STEEL BASE SURROUND 3GR	PROFILS BASE 3GR INOX	GRUNDPROFIL 3GR STAHL
95	77487003	PROFILO BASAMENTO ANT.4GR INOX/S	S.STEEL BASE SURROUND 4GR	PROFILS BASE 4GR INOX	GRUNDPROFIL 4GR STAHL
96	77487004	PROFILO BASAMENTO ANT.1GR GAS INOX/LUC	S.STEEL BASE SURROUND 1GR GAS	PROFILS BASE 1GR GAS INOX	GRUNDPROFIL 1GR GAS STAHL
97	77487005	PROFILO BASAMENTO ANT.2GR GAS INOX/LUC	S.STEEL BASE SURROUND 2GR GAS	PROFILS BASE 2GR GAS INOX	GRUNDPROFIL 2GR GAS STAHL
98	77487006	PROFILO BASAMENTO ANT.3GR GAS INOX/LUC	S.STEEL BASE SURROUND 3GR GAS	PROFILS BASE 3GR INOX GAS	GRUNDPROFIL 3GR GAS STAHL
99	77487007	PROFILO BASAMENTO ANT.4GR GAS INOX/LUC	S.STEEL BASE SURROUND 4GR GAS	PROFILS BASE 4GR GAS INOX	GRUNDPROFIL 4GR GAS STAHL
100	77487024	FRONTALINO MANOMETRO	FRONTAL PRESSURE GAUGE	JAUGE DE PRESSION FRONTAL	FRONTALER MANOMETER
101	4621115005	MANOMETRO TONDO DOPPIA SCALA	PRESSURE GAUGE	MANOMETRE	MANOMETER
102	4621115006	MANOMETRO TONDO 16 BAR	MANOMETER 16BAR	MANOMETRE 16BAR	MANOMETER 16BAR



## ROSSO - RED - ROUGE - ROT

Pos	Cod.	Denominazione - IT -	Denomination - GB -	Denomination - FR -	Denomination - DE -
1	15028199	PROFILO FERMATAZZE 1GR	STOP CUPS 1GR	ARRET TASSES PROFIL 1GR	STOP TASSEN PROFIL 1GR
2	15028200	PROFILO FERMATAZZE 2GR	STOP CUPS 2GR	ARRET TASSES PROFIL 2GR	STOP TASSEN PROFIL 2GR
3	15028201	PROFILO FERMATAZZE 3GR	STOP CUPS 3GR	ARRET TASSES PROFIL 3GR	STOP TASSEN PROFIL 3GR
4	15028202	PROFILO FERMATAZZE 4GR	STOP CUPS 4GR	ARRET TASSES PROFIL 4GR	STOP TASSEN PROFIL 4GR
5	76100268	GRIGLIA SUPERIORE 1GR INOX	TOP GRATE 1GR	GRILLE SUP. 1GR	OBERGITTER 1GR
6	76100269	GRIGLIA SUPERIORE 2GR INOX	TOP GRATE 2GR	GRILLE SUP. 2GR	OBERGITTER 2GR
7	76100270	GRIGLIA SUPERIORE 3GR INOX	TOP GRATE 3GR	GRILLE SUP. 3GR	OBERGITTER 3GR
8	76100271	GRIGLIA SUPERIORE 4GR INOX	TOP GRATE 4GR	GRILLE SUP. 4GR	OBERGITTER 4GR
9	75289108	PANNELLO POSTERIORE 1GR ROSSO	BACK PANEL 1GR RED	PANNEAU POST. 1GR ROUGE	RUCKSEITE 1GR ROT
10	75289109	PANNELLO POSTERIORE 2GR ROSSO	BACK PANEL 2GR RED	PANNEAU POST. 2GR ROUGE	RUCKSEITE 2GR ROT
11	75289110	PANNELLO POSTERIORE 3GR ROSSO	BACK PANEL 3GR RED	PANNEAU POST. 3GR ROUGE	RUCKSEITE 3GR ROT
12	75289111	PANNELLO POSTERIORE 4GR ROSSO	BACK PANEL 4GR RED	PANNEAU POST. 4GR ROUGE	RUCKSEITE 4GR ROT
13	77169117	PROFILO ANTERIORE FERMATAZZE 1GR	FRONT PROFILE 1GR	BARRE DE CHARGE 1GR	FRONTPROFIL 1GR
14	77169118	PROFILO ANTERIORE FERMATAZZE 2GR	FRONT PROFILE 2GR	BARRE DE CHARGE 2GR	FRONTPROFIL 2GR
15	77169119	PROFILO ANTERIORE FERMATAZZE 3GR	FRONT PROFILE 3GR	BARRE DE CHARGE 3GR	FRONTPROFIL 3GR
16	77169120	PROFILO ANTERIORE FERMATAZZE 4GR	FRONT PROFILE 4GR	BARRE DE CHARGE 4GR	FRONTPROFIL 4GR
17	77487020	PROFILO BASAMENTO POST.1GR	PROFILE 1GR	PROFIL 1GR	PROFIL 1GR
18	77487021	PROFILO BASAMENTO POST.2GR	PROFILE 2GR	PROFIL 2GR	PROFIL 2GR
19	77487022	PROFILO BASAMENTO POST.3GR	PROFILE 3GR	PROFIL 3GR	PROFIL 3GR
20	77487023	PROFILO BASAMENTO POST.4GR	PROFILE 4GR	PROFIL 4GR	PROFIL 4GR
21	73130320	FIANCO DESTRO ROSSO	RIGHT SIDE	COTE DROIT	RECHTS SEITE
22	73130321	FIANCO SINISTRO ROSSO	LEFT SIDE	COTE GAUCHE	LINKE SEITE
23	15259005	SOFFIETTO	BELLOWS	SOUFFLET	BALG
24	10459	MOLLA INTERNA MANOPOLA	STEEL FLAT SPRING FOR KNOB	RESSORT POIGNEE	FEDER HANDGRIFF
25	15278058	MANOPOLA RUBINETTO	KNOB	POIGNEE	HAHGRIF
26	77742041	GUIDA BACINELLA DESTRA/SINISTRA	RIGHT/LEFT BASIN GUIDE FOR FRAMES	GUIDE DROIT/GAUCHE CUVE POUR CHASSIS	FUHRUNG RECHTS/LINKS SCHCALE
27	15490980	TAPPO PROTEZIONE PRESA USB	USB SOCKET PROTECTION CAP	BOUCHON DE PROTECTION USB	SCHUTZKAPPE FUR USB-BUCHSE
28	15373070	TAPPO ABS CROMATO FORO GAS	CHROMED CAP	BOUCHON CHROME COUVRE-TROU GAZ	CHROM CAP
29	77279034	COPRIMPIANTO DESTRO 1GR INOX	S.STEEL CABLE COVER RIGHT	COUVRE-CABLAGE DROIT INOX	VERDRAHTUNDECKEL RECHTS STAHL
30	77279038	COPRIMPIANTO DESTRO 2GR/C INOX	S.STEEL CABLE COVER RIGHT	COUVRE-CABLAGE DROIT INOX	VERDRAHTUNDECKEL RECHTS STAHL
31	77279028	COPRIMPIANTO DESTRO 2-3GR INOX	S.STEEL CABLE COVER RIGHT	COUVRE-CABLAGE DROIT INOX	VERDRAHTUNDECKEL RECHTS STAHL
32	77279041	COPRIMPIANTO DESTRO 4GR INOX	S.STEEL CABLE COVER RIGHT	COUVRE-CABLAGE DROIT INOX	VERDRAHTUNDECKEL RECHTS STAHL
33	77279036	COPRIMPIANTO DESTRO+LED 1GR INOX	S.STEEL CABLE COVER+LED RIGHT	COUVRE-CABLAGE+LED DROIT INOX	VERDRAHTUNDECKEL+LED RECHTS STAHL
34	77279036	COPRIMPIANTO DESTRO+LED 1GR INOX	S.STEEL CABLE COVER+LED RIGHT	COUVRE-CABLAGE+LED DROIT INOX	VERDRAHTUNDECKEL+LED RECHTS STAHL
35	77279030	COPRIMPIANTO+LED DESTRO 2-3GR INOX	S.STEEL CABLE COVER+LED RIGHT	COUVRE-CABLAGE+LED DROIT INOX	VERDRAHTUNDECKEL+LED RECHTS STAHL
36	77279042	COPRIMPIANTO+LED DESTRO 4GR INOX	S.STEEL CABLE COVER+LED RIGHT	COUVRE-CABLAGE+LED DROIT INOX	VERDRAHTUNDECKEL+LED RECHTS STAHL
37	77279035	COPRIMPIANTO SINISTRO 1GR INOX	S.STEEL CABLE COVER LEFT	COUVRE-CABLAGE GAUCHE INOX	VERDRAHTUNDECKEL LINKE STAHL
38	77279040	COPRIMPIANTO SINISTRO 2GR/C INOX	S.STEEL CABLE COVER LEFT	COUVRE-CABLAGE GAUCHE INOX	VERDRAHTUNDECKEL LINKE STAHL
39	77279029	COPRIMPIANTO SINISTRO 2-4GR INOX	S.STEEL CABLE COVER LEFT	COUVRE-CABLAGE GAUCHE INOX	VERDRAHTUNDECKEL LINKE STAHL

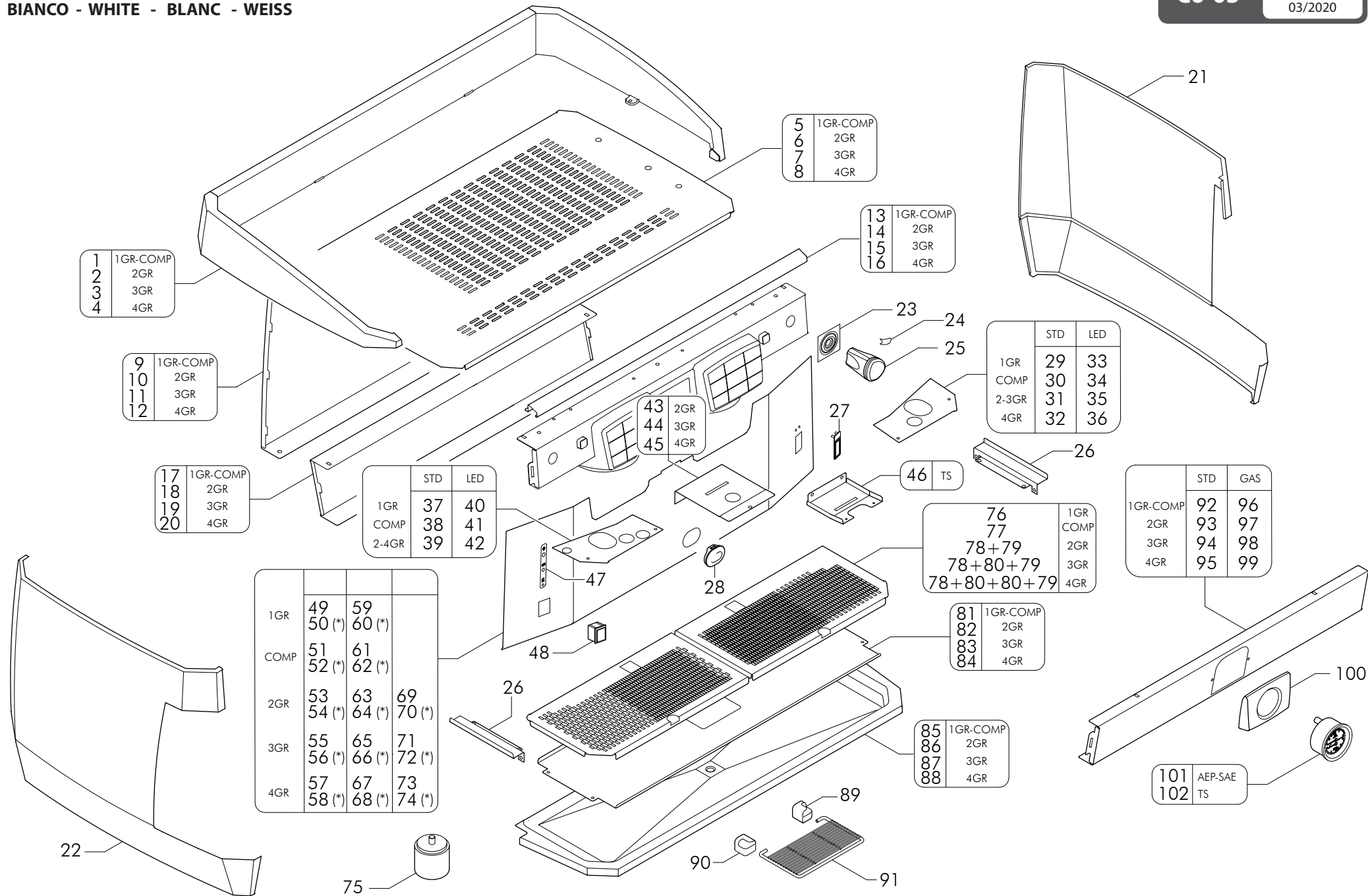
## ROSSO - RED - ROUGE - ROT

Pos	Cod.	Denominazione - IT -	Denomination - GB -	Denomination - FR -	Denomination - DE -
40	77279037	COPRIMPIANTO SINISTRO+LED 1GR INOX	.STEEL CABLE COVER LEFT	COUVRE-CABLAGE GAUCHE INOX	VERDRAHTUNDECKEL LINKE STAHL
41	77279037	COPRIMPIANTO SINISTRO+LED 1GR INOX	.STEEL CABLE COVER LEFT	COUVRE-CABLAGE GAUCHE INOX	VERDRAHTUNDECKEL LINKE STAHL
42	77279031	COPRIMPIANTO+LED SINISTRO 2-4GR INOX	S.STEEL CABLE COVER+LED LEFT	COUVRE-CABLAGE+LED GAUCHE INOX	VERDRAHTUNDECKEL+LED LINKE STAHL
43	77279029	COPRIMPIANTO SINISTRO 2-4GR INOX	S.STEEL CABLE COVER LEFT	COUVRE-CABLAGE GAUCHE INOX	VERDRAHTUNDECKEL LINKE STAHL
44	77279031	COPRIMPIANTO+LED SINISTRO 2-4GR INOX	S.STEEL CABLE COVER+LED LEFT	COUVRE-CABLAGE+LED GAUCHE INOX	VERDRAHTUNDECKEL+LED LINKE STAHL
45	77279040	COPRIMPIANTO SINISTRO 2GR/C INOX	S.STEEL CABLE COVER LEFT	COUVRE-CABLAGE GAUCHE INOX	VERDRAHTUNDECKEL LINKE STAHL
46	77230001	SUPPORTO FRONTALINO DISPLAY	PANEL SUPPORT	SUPPORT FRONTAL	STIRNBAUTEIL
47	29066080	ETICHETTA ADESIVA 0-1+LIVELLO+SCTZ	ADHESIVE LABEL 0-1+LIV+SCTZ	ETIQUETTE ADHESIVE 0-1+LIV+SCTZ	KLEBEETIKETTE 0-1+LIV+SCTZ
47	29066081	ETICHETTA ADESIVA 0-1+LIVELLO	ADHESIVE LABEL 0-1+LIV	ETIQUETTE ADHESIVE 0-1+LIV	KLEBEETIKETTE 0-1+LIV
48	15486002	TAPPO FORO INTERRUPTORE	SWITCH HOLE PLUG	CAPUCHON TROU INTERRUPT.	ABDECKUNG SCHALTERLOCH
49	77044500	COPRICALDAIA CTS AEP-1/GR.STD INOX	S.STEEL BOILER COVER AEP/1	COUVRE-CHAUDIERE AEP/1 INOX	KESSELDECKEL AEP/1 STAHL
50	77044505	COPRICALDAIA CTS AEP-1/GR.RIA INOX	S.STEEL BOILER COVER AEP/1 RAIS. GROUP	COUVRE-CHAUDIERE AEP/1 R.GROUPE INOX	KESSELDECKEL AEP/1 R.GROUP STAHL
51	77044501	COPRICALDAIA CTS AEP-2C/GR.STD INOX	S.STEEL BOILER COVER AEP/2C	COUVRE-CHAUDIERE AEP/2C INOX	KESSELDECKEL AEP/2C STAHL
52	77044506	COPRICALDAIA CTS AEP-2C/GR.RIA INOX	S.STEEL BOILER COVER AEP/2 R.GROUP	COUVRE-CHAUDIERE AEP/2C R.GROUPE INOX	KESSELDECKEL AEP/2C R.GRUPPE STAHL
53	77044502	COPRICALDAIA CTS AEP-2/GR.STD INOX	S.STEEL BOILER COVER AEP/2	COUVRE-CHAUDIERE AEP/2 INOX	KESSELDECKEL AEP/2 STAHL
54	77044507	COPRICALDAIA CTS AEP-2/GR.RIA INOX	S.STEEL BOILER COVER AEP/2 R.GROUP	COUVRE-CHAUDIERE AEP/2 R.GROUPE INOX	KESSELDECKEL AEP/2 STAHL R.GRUPPE
55	77044503	COPRICALDAIA CTS AEP-3/GR.STD INOX	S.STEEL BOILER COVER AEP/3	COUVRE-CHAUDIERE AEP/3 INOX	KESSELDECKEL AEP/3 STAHL
56	77044508	COPRICALDAIA CTS AEP-3/GR.RIA INOX	S.STEEL BOILER COVER AEP/3 R.GROUP	COUVRE-CHAUDIERE AEP/3 R.GROUPE INOX	KESSELDECKEL AEP/3 STAHL R.GRUPPE
57	77044504	COPRICALDAIA CTS AEP-4/GR.STD INOX	S.STEEL BOILER COVER AEP/4	COUVRE-CHAUDIERE AEP/4 INOX	KESSELDECKEL AEP/4 STAHL
58	77044509	COPRICALDAIA CTS AEP-4/GR.RIA INOX	S.STEEL BOILER COVER AEP/4 R.GROUP	COUVRE-CHAUDIERE AEP/4 R.GROUPE INOX	KESSELDECKEL AEP/4 R.GRUPPE STAHL
59	77044510	COPRICALDAIA CTS SAE-1/GR.STD INOX	S.STEEL BOILER COVER SAE/1	COUVRE-CHAUDIERE SAE/1 INOX	KESSELDECKEL SAE/1 STAHL
60	77044515	COPRICALDAIA CTS SAE-1/GR.RIA INOX	S.STEEL BOILER COVER SAE/1 R.GROUP	COUVRE-CHAUDIERE SAE/1 R.GROUPE INOX	KESSELDECKEL SAE/1 R.GRUPPE STAHL
61	77044511	COPRICALDAIA CTS SAE-2C/GR.STD INOX	S.STEEL BOILER COVER SAE/2C	COUVRE-CHAUDIERE SAE/2C INOX	KESSELDECKEL SAE/2C STAHL
62	77044516	COPRICALDAIA CTS SAE-2C/GR.RIA INOX	S.STEEL BOILER COVER SAE/2C R.GROUP	COUVRE-CHAUDIERE SAE/2C R.GROUPE INOX	KESSELDECKEL SAE/2C R.GRUPPE STAHL
63	77044512	COPRICALDAIA CTS SAE-2/GR.STD INOX	S.STEEL BOILER COVER SAE/2	COUVRE-CHAUDIERE SAE/2 INOX	KESSELDECKEL SAE/2 STAHL
64	77044517	COPRICALDAIA CTS SAE-2/GR.RIA INOX	S.STEEL BOILER COVER SAE/2 R.GROUP	COUVRE-CHAUDIERE SAE/2 R.GROUPE INOX	KESSELDECKEL SAE/2 R.GRUPPE STAHL
65	77044513	COPRICALDAIA CTS SAE-3/GR.STD INOX	S.STEEL BOILER COVER SAE/3	COUVRE-CHAUDIERE SAE/3 INOX	KESSELDECKEL SAE/3 STAHL
66	77044518	COPRICALDAIA CTS SAE-3/GR.RIA INOX	S.STEEL BOILER COVER SAE/3 R.GROUP	COUVRE-CHAUDIERE SAE/3 R.GROUPE INOX	KESSELDECKEL SAE/3 R.GRUPPE STAHL
67	77044514	COPRICALDAIA CTS SAE-4/GR.STD INOX	S.STEEL BOILER COVER SAE/4	COUVRE-CHAUDIERE SAE/4 INOX	KESSELDECKEL SAE/4 STAHL
68	77044519	COPRICALDAIA CTS SAE-4/GR.RIA INOX	S.STEEL BOILER COVER SAE/4 R.GROUP	COUVRE-CHAUDIERE SAE/4 R.GROUPE INOX	KESSELDECKEL SAE/4 R.GRUPPE STAHL
69	77044522	COPRICALDAIA CTS SAE-2/GR.STD+DISPLAY INOX	S.STEEL BOILER COVER SAE/2+DSP	COUVRE-CHAUDIERE SAE/2+DSP R.GRUPE INOX	KESSELDECKEL SAE/2+DSP R.GRUPPE STAHL
70	77044527	COPRICALDAIA CTS SAE-2/GR.RIA+DISPLAY INOX	S.STEEL BOILER COVER SAE/2+DSP R.GROUP	COUVRE-CHAUDIERE SAE/2+DSP R.GROUPE INOX	KESSELDECKEL SAE/2+DSP R.GRUPPE STAHL
71	77044523	COPRICALDAIA CTS SAE-3/GR.STD+DISPLAY INOX	S.STEEL BOILER COVER SAE/3+DSP	COUVRE-CHAUDIERE SAE/3+DSP INOX	KESSELDECKEL SAE/3+DSP STAHL
72	77044528	COPRICALDAIA CTS SAE-3/GR.RIA+DISPLAY INOX	S.STEEL BOILER COVER SAE/3 R.GROUP	COUVRE-CHAUDIERE SAE/3 R.GROUPE INOX	KESSELDECKEL SAE/3 R.GRUPPE STAHL
73	77044524	COPRICALDAIA CTS SAE-4/GR.STD+DISPLAY INOX	S.STEEL BOILER COVER SAE/4+DSP	COUVRE-CHAUDIERE SAE/4+DSP INOX	KESSELDECKEL SAE/4+DSP STAHL
74	77044529	COPRICALDAIA CTS SAE-4/GR.RIA+DISPLAY INOX	S.STEEL BOILER COVER SAE/4+DSP R.GROUP	COUVRE-CHAUDIERE SAE/4+DSP R.GROUPE INOX	KESSELDECKEL SAE/4+DSP R.GRUPPE
75	15318002	PIEDINO REGOLABILE INOX/SAT H55/69	ADJUSTABLE FOOT H55/69	PIED REGLABLE H55/69	REGELBARER FUSS H55/69



## ROSSO - RED - ROUGE - ROT

Pos	Cod.	Denominazione - IT -	Denomination - GB -	Denomination - FR -	Denomination - DE -
76	76153008	GRIGLIA INFERIORE 1GR INOX/LUC	LOWER GRILLE 1GR	GRILLE INF. 1GR	UNTERGITTER 1GR
77	76153009	GRIGLIA INFERIORE 2GR/COMP INOX/LUC	LOWER GRILLE 2GR/C	GRILLE INF. 2GR/C	UNTERGITTER 2GR/C
78	76155008	GRIGLIA INFERIORE SINISTRA INOX/LUC	LEFT LOWER GRILLE	GRILLE INF. GAUCHE	LINKE UNTERGITTER
79	76154008	GRIGLIA INFERIORE DESTRA INOX/LUC	RIGHT LOWER GRILLE	GRILLE INF. DROIT	UNTERGITTER RECHTS
80	76156008	GRIGLIA INFERIORE CENTRALE INOX/LUC	LOWER GRILLE	GRILLE INF.	UNTERGITTER
81	77558049	PROTEZIONE SOTTO BACINELLA 1GR	PROTECTION 1GR	PROTECTION 1GR	PROTECTION 1GR
82	77558050	PROTEZIONE SOTTO BACINELLA 2GR	PROTECTION 2GR	PROTECTION 2GR	PROTECTION 2GR
83	77558051	PROTEZIONE SOTTO BACINELLA 3GR	PROTECTION 3GR	PROTECTION 3GR	PROTECTION 3GR
84	77558052	PROTEZIONE SOTTO BACINELLA 4GR	PROTECTION 4GR	PROTECTION 4GR	PROTECTION 4GR
85	76098138	BACINELLA 1GR INOX LUCIDO	SILV.BRIGHT STEEL 1GR TRAY	CUVE 1GR INOX BRILLANT	STAHLSCHALE 1GR
86	76098139	BACINELLA 2GR INOX LUCIDO	SILV.BRIGHT STEEL 2GR TRAY	CUVE 2GR INOX BRILLANT	STAHLSCHALE 2GR
87	76098140	BACINELLA 3GR INOX LUCIDO	SILV.BRIGHT STEEL 3GR TRAY	CUVE 3GR INOX BRILLANT	STAHLSCHALE 3GR
88	76098141	BACINELLA 4GR INOX LUCIDO	SILV.BRIGHT STEEL 4GR TRAY	CUVE 4GR INOX BRILLANT	STAHLSCHALE 4GR
89	25006006	ASS.BLOCCHETTO A SFERA DESTRO GRIGLIA	RIGHT GRID BLOCK	BLOC DE GRILLE DROITE	RECHTS KUGELRASTUNG
90	25006007	ASS.BLOCCHETTO A SFERA SINISTRO GRIGLIA	LEFT GRID BLOCK	BLOC DE GRILLE GAUCHE	LINKEN KUGELRASTUNG
91	76149107	GRIGLIA RIALZO TAZZE	CUPS-STAND FOR RAISED GROUP	GRILLE POUR GROUPES REHAISSES	GITTER FUER HOHE GRUPPE
92	77487012	PROFILO BASAMENTO ANT.1GR GRIGIO	BASE SURROUND GREY 1GR	PROFILS BASE GRIS 1GR	GRUNDPROFIL GRAU 1GR
93	77487013	PROFILO BASAMENTO ANT.2GR GRIGIO	BASE SURROUND GREY 2GR	PROFILS BASE GRIS 2GR	GRUNDPROFIL GRAU 2GR
94	77487014	PROFILO BASAMENTO ANT.3GR GRIGIO	BASE SURROUND GREY 3GR	PROFILS BASE GRIS 3GR	GRUNDPROFIL GRAU 3GR
95	77487015	PROFILO BASAMENTO ANT.4GR GRIGIO	BASE SURROUND GREY 4GR	PROFILS BASE GRIS 4GR	GRUNDPROFIL GRAU 4GR
96	77487016	PROFILO BASAMENTO ANT.1GR GAS GRIGIO	BASE SURROUND GREY 1GR GAS	PROFILS BASE GRIS 1GR GAS	GRUNDPROFIL GRAU 1GR GAS
97	77487017	PROFILO BASAMENTO ANT.2GR GAS GRIGIO	BASE SURROUND GREY 2GR GAS	PROFILS BASE GRIS 2GR GAS	GRUNDPROFIL GRAU 2GR GAS
98	77487018	PROFILO BASAMENTO ANT.3GR GAS GRIGIO	BASE SURROUND GREY 3GR GAS	PROFILS BASE GRIS 3GR GAS	GRUNDPROFIL GRAU 3GR GAS
99	77487019	PROFILO BASAMENTO ANT.4GR GAS GRIGIO	BASE SURROUND GREY 4GR GAS	PROFILS BASE GRIS 4GR GAS	GRUNDPROFIL GRAU 4GR GAS
100	77487024	FRONTALINO MANOMETRO	FRONTAL PRESSURE GAUGE	JAUGE DE PRESSION FRONTAL	FRONTALER MANOMETER
101	4621115005	MANOMETRO TONDO DOPPIA SCALA	PRESSURE GAUGE	MANOMETRE	MANOMETER
102	4621115006	MANOMETRO TONDO 16 BAR	MANOMETER 16BAR	MANOMETRE 16BAR	MANOMETER 16BAR



## BIANCO - WHITE - BLANC - WEISS

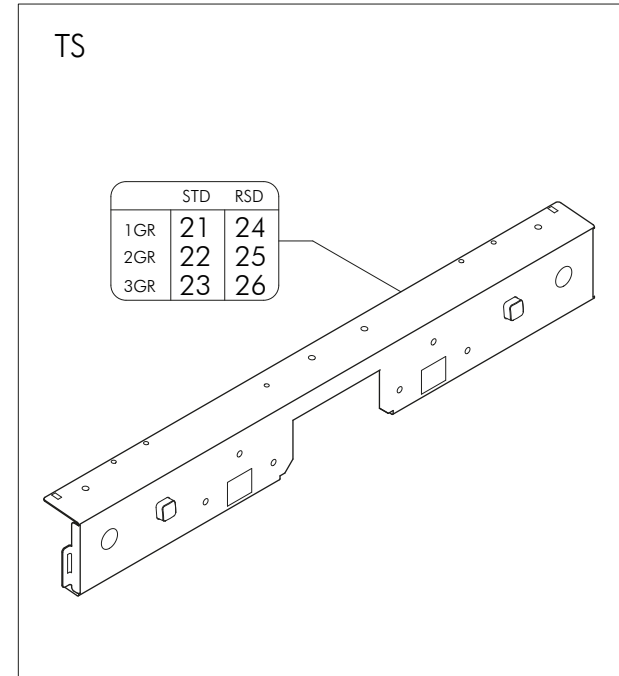
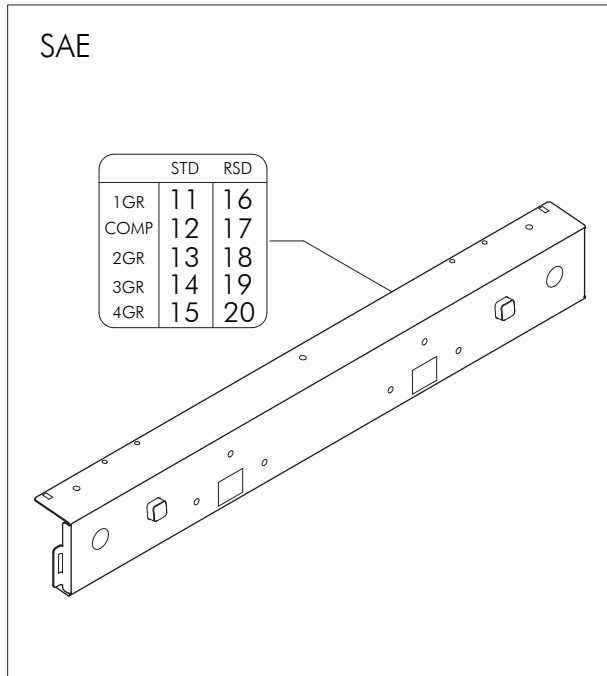
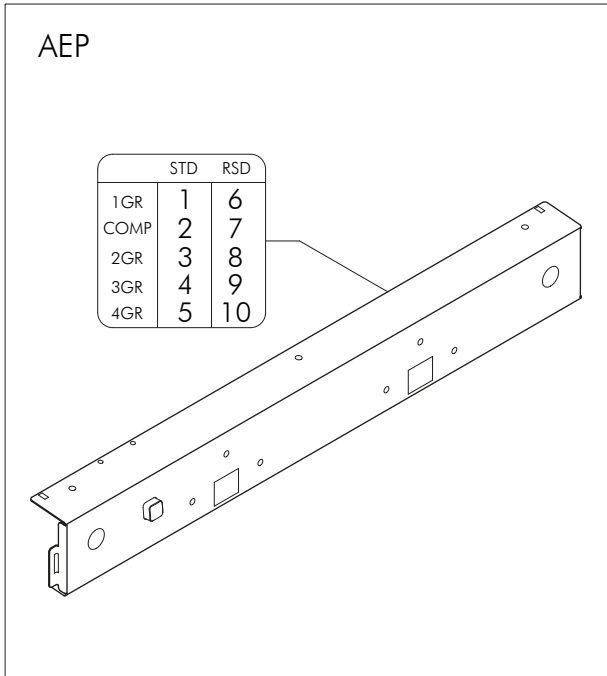
Pos	Cod.	Denominazione - IT -	Denomination - GB -	Denomination - FR -	Denomination - DE -
1	15028199	PROFILO FERMATAZZE 1GR	STOP CUPS 1GR	ARRET TASSES PROFIL 1GR	STOP TASSEN PROFIL 1GR
2	15028200	PROFILO FERMATAZZE 2GR	STOP CUPS 2GR	ARRET TASSES PROFIL 2GR	STOP TASSEN PROFIL 2GR
3	15028201	PROFILO FERMATAZZE 3GR	STOP CUPS 3GR	ARRET TASSES PROFIL 3GR	STOP TASSEN PROFIL 3GR
4	15028202	PROFILO FERMATAZZE 4GR	STOP CUPS 4GR	ARRET TASSES PROFIL 4GR	STOP TASSEN PROFIL 4GR
5	76100268	GRIGLIA SUPERIORE 1GR INOX	TOP GRATE 1GR	GRILLE SUP. 1GR	OBERGITTER 1GR
6	76100269	GRIGLIA SUPERIORE 2GR INOX	TOP GRATE 2GR	GRILLE SUP. 2GR	OBERGITTER 2GR
7	76100270	GRIGLIA SUPERIORE 3GR INOX	TOP GRATE 3GR	GRILLE SUP. 3GR	OBERGITTER 3GR
8	76100271	GRIGLIA SUPERIORE 4GR INOX	TOP GRATE 4GR	GRILLE SUP. 4GR	OBERGITTER 4GR
9	75289104	PANNELLO POSTERIORE 1GR BIANCO	BACK PANEL 1GR WHITE	PANNEAU POST. 1GR BLANC	RUCKSEITE 1GR WEISS
10	75289105	PANNELLO POSTERIORE 2GR BIANCO	BACK PANEL 2GR WHITE	PANNEAU POST. 2GR BLANC	RUCKSEITE 2GR WEISS
11	75289106	PANNELLO POSTERIORE 3GR BIANCO	BACK PANEL 3GR WHITE	PANNEAU POST. 3GR BLANC	RUCKSEITE 3GR WEISS
12	75289107	PANNELLO POSTERIORE 4GR BIANCO	BACK PANEL 4GR WHITE	PANNEAU POST. 4GR BLANC	RUCKSEITE 4GR WEISS
13	77169117	PROFILO ANTERIORE FERMATAZZE 1GR	FRONT PROFILE 1GR	BARRE DE CHARGE 1GR	FRONTPROFIL 1GR
14	77169118	PROFILO ANTERIORE FERMATAZZE 2GR	FRONT PROFILE 2GR	BARRE DE CHARGE 2GR	FRONTPROFIL 2GR
15	77169119	PROFILO ANTERIORE FERMATAZZE 3GR	FRONT PROFILE 3GR	BARRE DE CHARGE 3GR	FRONTPROFIL 3GR
16	77169120	PROFILO ANTERIORE FERMATAZZE 4GR	FRONT PROFILE 4GR	BARRE DE CHARGE 4GR	FRONTPROFIL 4GR
17	77487008	PROFILO BASAMENTO POST.1GR INOX	S.STEEL BASE SURROUND 1GR	PROFILS BASE 1GR INOX	GRUNDPROFIL 1GR STAHL
18	77487009	PROFILO BASAMENTO POST.2GR INOX	S.STEEL BASE SURROUND 2GR	PROFILS BASE 2GR INOX	GRUNDPROFIL 2GR STAHL
19	77487010	PROFILO BASAMENTO POST.3GR INOX	S.STEEL BASE SURROUND 3GR	PROFILS BASE 3GR INOX	GRUNDPROFIL 3GR STAHL
20	77487011	PROFILO BASAMENTO POST.4GR INOX	S.STEEL BASE SURROUND 4GR	PROFILS BASE 4GR INOX	GRUNDPROFIL 4GR STAHL
21	73130318	FIANCO DESTRO BIANCO	RIGHT SIDE WHITE	COTE DROIT BLANC	RECHTS SEITE WEISS
22	73130319	FIANCO SINISTRO BIANCO	LEFT SIDE WHITE	COTE GAUCHE BLANC	LINKE SEITE WEISS
23	15259005	SOFFIETTO	BELLOWS	SOUFFLET	BALG
24	10459	MOLLA INTERNA MANOPOLA	STEEL FLAT SPRING FOR KNOB	RESSORT POIGNEE	FEDER HANDGRIFF
25	15278058	MANOPOLA RUBINETTO	KNOB	POIGNEE	HAHGRIFF
26	77742041	GUIDA BACINELLA DESTRA/SINISTRA	RIGHT/LEFT BASIN GUIDE FOR FRAMES	GUIDE DROIT/GAUCHE CUVE POUR CHASSIS	FUHRUNG RECHTS/LINKS SCHCALE
27	15490980	TAPPO PROTEZIONE PRESA USB	USB SOCKET PROTECTION CAP	BOUCHON DE PROTECTION USB	SCHUTZKAPPE FUR USB-BUCHSE
28	15373070	TAPPO ABS CROMATO FORO GAS	CHROMED CAP	BOUCHON CHROME COUVRE-TROU GAZ	CHROM CAP
29	77279034	COPRIMPIANTO DESTRO 1GR INOX	S.STEEL CABLE COVER RIGHT	COUVRE-CABLAGE DROIT INOX	VERDRAHTUNDECKEL RECHTS STAHL
30	77279038	COPRIMPIANTO DESTRO 2GR/C INOX	S.STEEL CABLE COVER RIGHT	COUVRE-CABLAGE DROIT INOX	VERDRAHTUNDECKEL RECHTS STAHL
31	77279028	COPRIMPIANTO DESTRO 2-3GR INOX	S.STEEL CABLE COVER RIGHT	COUVRE-CABLAGE DROIT INOX	VERDRAHTUNDECKEL RECHTS STAHL
32	77279041	COPRIMPIANTO DESTRO 4GR INOX	S.STEEL CABLE COVER RIGHT	COUVRE-CABLAGE DROIT INOX	VERDRAHTUNDECKEL RECHTS STAHL
33	77279036	COPRIMPIANTO DESTRO+LED 1GR INOX	S.STEEL CABLE COVER+LED RIGHT	COUVRE-CABLAGE+LED DROIT INOX	VERDRAHTUNDECKEL+LED RECHTS STAHL
34	77279036	COPRIMPIANTO DESTRO+LED 1GR INOX	S.STEEL CABLE COVER+LED RIGHT	COUVRE-CABLAGE+LED DROIT INOX	VERDRAHTUNDECKEL+LED RECHTS STAHL
35	77279030	COPRIMPIANTO+LED DESTRO 2-3GR INOX	S.STEEL CABLE COVER+LED RIGHT	COUVRE-CABLAGE+LED DROIT INOX	VERDRAHTUNDECKEL+LED RECHTS STAHL
36	77279042	COPRIMPIANTO+LED DESTRO 4GR INOX	S.STEEL CABLE COVER+LED RIGHT	COUVRE-CABLAGE+LED DROIT INOX	VERDRAHTUNDECKEL+LED RECHTS STAHL
37	77279035	COPRIMPIANTO SINISTRO 1GR INOX	S.STEEL CABLE COVER LEFT	COUVRE-CABLAGE GAUCHE INOX	VERDRAHTUNDECKEL LINKE STAHL
38	77279040	COPRIMPIANTO SINISTRO 2GR/C INOX	S.STEEL CABLE COVER LEFT	COUVRE-CABLAGE GAUCHE INOX	VERDRAHTUNDECKEL LINKE STAHL
39	77279029	COPRIMPIANTO SINISTRO 2-4GR INOX	S.STEEL CABLE COVER LEFT	COUVRE-CABLAGE GAUCHE INOX	VERDRAHTUNDECKEL LINKE STAHL

## BIANCO - WHITE - BLANC - WEISS

Pos	Cod.	Denominazione - IT -	Denomination - GB -	Denomination - FR -	Denomination - DE -
40	77279037	COPRIMPIANTO SINISTRO+LED 1GR INOX	.STEEL CABLE COVER LEFT	COUVRE-CABLAGE GAUCHE INOX	VERDRAHTUNDECKEL LINKE STAHL
41	77279037	COPRIMPIANTO SINISTRO+LED 1GR INOX	.STEEL CABLE COVER LEFT	COUVRE-CABLAGE GAUCHE INOX	VERDRAHTUNDECKEL LINKE STAHL
42	77279031	COPRIMPIANTO+LED SINISTRO 2-4GR INOX	S.STEEL CABLE COVER+LED LEFT	COUVRE-CABLAGE+LED GAUCHE INOX	VERDRAHTUNDECKEL+LED LINKE STAHL
43	77279029	COPRIMPIANTO SINISTRO 2-4GR INOX	S.STEEL CABLE COVER LEFT	COUVRE-CABLAGE GAUCHE INOX	VERDRAHTUNDECKEL LINKE STAHL
44	77279031	COPRIMPIANTO+LED SINISTRO 2-4GR INOX	S.STEEL CABLE COVER+LED LEFT	COUVRE-CABLAGE+LED GAUCHE INOX	VERDRAHTUNDECKEL+LED LINKE STAHL
45	77279040	COPRIMPIANTO SINISTRO 2GR/C INOX	S.STEEL CABLE COVER LEFT	COUVRE-CABLAGE GAUCHE INOX	VERDRAHTUNDECKEL LINKE STAHL
46	77230001	SUPPORTO FRONTALINO DISPLAY	PANEL SUPPORT	SUPPORT FRONTAL	STIRNBAUTEIL
47	29066080	ETICHETTA ADESIVA 0-1+LIVELLO+SCTZ	ADHESIVE LABEL 0-1+LIV+SCTZ	ETIQUETTE ADHESIVE 0-1+LIV+SCTZ	KLEBEETIKETTE 0-1+LIV+SCTZ
47	29066081	ETICHETTA ADESIVA 0-1+LIVELLO	ADHESIVE LABEL 0-1+LIV	ETIQUETTE ADHESIVE 0-1+LIV	KLEBEETIKETTE 0-1+LIV
48	15486002	TAPPO FORO INTERRUPTORE	SWITCH HOLE PLUG	CAPUCHON TROU INTERRUPT.	ABDECKUNG SCHALTERLOCH
49	77044500	COPRICALDAIA CTS AEP-1/GR.STD INOX	S.STEEL BOILER COVER AEP/1	COUVRE-CHAUDIERE AEP/1 INOX	KESSELDECKEL AEP/1 STAHL
50	77044505	COPRICALDAIA CTS AEP-1/GR.RIA INOX	S.STEEL BOILER COVER AEP/1 RAIS. GROUP	COUVRE-CHAUDIERE AEP/1 R.GROUPE INOX	KESSELDECKEL AEP/1 R.GROUP STAHL
51	77044501	COPRICALDAIA CTS AEP-2C/GR.STD INOX	S.STEEL BOILER COVER AEP/2C	COUVRE-CHAUDIERE AEP/2C INOX	KESSELDECKEL AEP/2C STAHL
52	77044506	COPRICALDAIA CTS AEP-2C/GR.RIA INOX	S.STEEL BOILER COVER AEP/2 R.GROUP	COUVRE-CHAUDIERE AEP/2C R.GROUPE INOX	KESSELDECKEL AEP/2C R.GRUPPE STAHL
53	77044502	COPRICALDAIA CTS AEP-2/GR.STD INOX	S.STEEL BOILER COVER AEP/2	COUVRE-CHAUDIERE AEP/2 INOX	KESSELDECKEL AEP/2 STAHL
54	77044507	COPRICALDAIA CTS AEP-2/GR.RIA INOX	S.STEEL BOILER COVER AEP/2 R.GROUP	COUVRE-CHAUDIERE AEP/2 R.GROUPE INOX	KESSELDECKEL AEP/2 STAHL R.GRUPPE
55	77044503	COPRICALDAIA CTS AEP-3/GR.STD INOX	S.STEEL BOILER COVER AEP/3	COUVRE-CHAUDIERE AEP/3 INOX	KESSELDECKEL AEP/3 STAHL
56	77044508	COPRICALDAIA CTS AEP-3/GR.RIA INOX	S.STEEL BOILER COVER AEP/3 R.GROUP	COUVRE-CHAUDIERE AEP/3 R.GROUPE INOX	KESSELDECKEL AEP/3 STAHL R.GRUPPE
57	77044504	COPRICALDAIA CTS AEP-4/GR.STD INOX	S.STEEL BOILER COVER AEP/4	COUVRE-CHAUDIERE AEP/4 INOX	KESSELDECKEL AEP/4 STAHL
58	77044509	COPRICALDAIA CTS AEP-4/GR.RIA INOX	S.STEEL BOILER COVER AEP/4 R.GROUP	COUVRE-CHAUDIERE AEP/4 R.GROUPE INOX	KESSELDECKEL AEP/4 R.GRUPPE STAHL
59	77044510	COPRICALDAIA CTS SAE-1/GR.STD INOX	S.STEEL BOILER COVER SAE/1	COUVRE-CHAUDIERE SAE/1 INOX	KESSELDECKEL SAE/1 STAHL
60	77044515	COPRICALDAIA CTS SAE-1/GR.RIA INOX	S.STEEL BOILER COVER SAE/1 R.GROUP	COUVRE-CHAUDIERE SAE/1 R.GROUPE INOX	KESSELDECKEL SAE/1 R.GRUPPE STAHL
61	77044511	COPRICALDAIA CTS SAE-2C/GR.STD INOX	S.STEEL BOILER COVER SAE/2C	COUVRE-CHAUDIERE SAE/2C INOX	KESSELDECKEL SAE/2C STAHL
62	77044516	COPRICALDAIA CTS SAE-2C/GR.RIA INOX	S.STEEL BOILER COVER SAE/2C R.GROUP	COUVRE-CHAUDIERE SAE/2C R.GROUPE INOX	KESSELDECKEL SAE/2C R.GRUPPE STAHL
63	77044512	COPRICALDAIA CTS SAE-2/GR.STD INOX	S.STEEL BOILER COVER SAE/2	COUVRE-CHAUDIERE SAE/2 INOX	KESSELDECKEL SAE/2 STAHL
64	77044517	COPRICALDAIA CTS SAE-2/GR.RIA INOX	S.STEEL BOILER COVER SAE/2 R.GROUP	COUVRE-CHAUDIERE SAE/2 R.GROUPE INOX	KESSELDECKEL SAE/2 R.GRUPPE STAHL
65	77044513	COPRICALDAIA CTS SAE-3/GR.STD INOX	S.STEEL BOILER COVER SAE/3	COUVRE-CHAUDIERE SAE/3 INOX	KESSELDECKEL SAE/3 STAHL
66	77044518	COPRICALDAIA CTS SAE-3/GR.RIA INOX	S.STEEL BOILER COVER SAE/3 R.GROUP	COUVRE-CHAUDIERE SAE/3 R.GROUPE INOX	KESSELDECKEL SAE/3 R.GRUPPE STAHL
67	77044514	COPRICALDAIA CTS SAE-4/GR.STD INOX	S.STEEL BOILER COVER SAE/4	COUVRE-CHAUDIERE SAE/4 INOX	KESSELDECKEL SAE/4 STAHL
68	77044519	COPRICALDAIA CTS SAE-4/GR.RIA INOX	S.STEEL BOILER COVER SAE/4 R.GROUP	COUVRE-CHAUDIERE SAE/4 R.GROUPE INOX	KESSELDECKEL SAE/4 R.GRUPPE STAHL
69	77044522	COPRICALDAIA CTS SAE-2/GR.STD+DISPLAY INOX	S.STEEL BOILER COVER SAE/2+DSP	COUVRE-CHAUDIERE SAE/2+DSP R.GRUPE INOX	KESSELDECKEL SAE/2+DSP R.GRUPPE STAHL
70	77044527	COPRICALDAIA CTS SAE-2/GR.RIA+DISPLAY INOX	S.STEEL BOILER COVER SAE/2+DSP R.GROUP	COUVRE-CHAUDIERE SAE/2+DSP R.GROUPE INOX	KESSELDECKEL SAE/2+DSP R.GRUPPE STAHL
71	77044523	COPRICALDAIA CTS SAE-3/GR.STD+DISPLAY INOX	S.STEEL BOILER COVER SAE/3+DSP	COUVRE-CHAUDIERE SAE/3+DSP INOX	KESSELDECKEL SAE/3+DSP STAHL
72	77044528	COPRICALDAIA CTS SAE-3/GR.RIA+DISPLAY INOX	S.STEEL BOILER COVER SAE/3 R.GROUP	COUVRE-CHAUDIERE SAE/3 R.GROUPE INOX	KESSELDECKEL SAE/3 R.GRUPPE STAHL
73	77044524	COPRICALDAIA CTS SAE-4/GR.STD+DISPLAY INOX	S.STEEL BOILER COVER SAE/4+DSP	COUVRE-CHAUDIERE SAE/4+DSP INOX	KESSELDECKEL SAE/4+DSP STAHL
74	77044529	COPRICALDAIA CTS SAE-4/GR.RIA+DISPLAY INOX	S.STEEL BOILER COVER SAE/4+DSP R.GROUP	COUVRE-CHAUDIERE SAE/4+DSP R.GROUPE INOX	KESSELDECKEL SAE/4+DSP R.GRUPPE
75	15318002	PIEDINO REGOLABILE INOX/SAT H55/69	ADJUSTABLE FOOT H55/69	PIED REGLABLE H55/69	REGELBARER FUSS H55/69

## BIANCO - WHITE - BLANC - WEISS

Pos	Cod.	Denominazione - IT -	Denomination - GB -	Denomination - FR -	Denomination - DE -
76	76153008	GRIGLIA INFERIORE 1GR INOX/LUC	LOWER GRILLE 1GR	GRILLE INF. 1GR	UNTERGITTER 1GR
77	76153009	GRIGLIA INFERIORE 2GR/COMP INOX/LUC	LOWER GRILLE 2GR/C	GRILLE INF. 2GR/C	UNTERGITTER 2GR/C
78	76155008	GRIGLIA INFERIORE SINISTRA INOX/LUC	LEFT LOWER GRILLE	GRILLE INF. GAUCHE	LINKE UNTERGITTER
79	76154008	GRIGLIA INFERIORE DESTRA INOX/LUC	RIGHT LOWER GRILLE	GRILLE INF. DROIT	UNTERGITTER RECHTS
80	76156008	GRIGLIA INFERIORE CENTRALE INOX/LUC	LOWER GRILLE	GRILLE INF.	UNTERGITTER
81	77558049	PROTEZIONE SOTTO BACINELLA 1GR	PROTECTION 1GR	PROTECTION 1GR	PROTECTION 1GR
82	77558050	PROTEZIONE SOTTO BACINELLA 2GR	PROTECTION 2GR	PROTECTION 2GR	PROTECTION 2GR
83	77558051	PROTEZIONE SOTTO BACINELLA 3GR	PROTECTION 3GR	PROTECTION 3GR	PROTECTION 3GR
84	77558052	PROTEZIONE SOTTO BACINELLA 4GR	PROTECTION 4GR	PROTECTION 4GR	PROTECTION 4GR
85	76098138	BACINELLA 1GR INOX LUCIDO	SILV.BRIGHT STEEL 1GR TRAY	CUVE 1GR INOX BRILLANT	STAHLSCHALE 1GR
86	76098139	BACINELLA 2GR INOX LUCIDO	SILV.BRIGHT STEEL 2GR TRAY	CUVE 2GR INOX BRILLANT	STAHLSCHALE 2GR
87	76098140	BACINELLA 3GR INOX LUCIDO	SILV.BRIGHT STEEL 3GR TRAY	CUVE 3GR INOX BRILLANT	STAHLSCHALE 3GR
88	76098141	BACINELLA 4GR INOX LUCIDO	SILV.BRIGHT STEEL 4GR TRAY	CUVE 4GR INOX BRILLANT	STAHLSCHALE 4GR
89	25006006	ASS.BLOCCHETTO A SFERA DESTRO GRIGLIA	RIGHT GRID BLOCK	BLOC DE GRILLE DROITE	RECHTS KUGELRASTUNG
90	25006007	ASS.BLOCCHETTO A SFERA SINISTRO GRIGLIA	LEFT GRID BLOCK	BLOC DE GRILLE GAUCHE	LINKEN KUGELRASTUNG
91	76149107	GRIGLIA RIALZO TAZZE	CUPS-STAND FOR RAISED GROUP	GRILLE POUR GROUPES REHAISSES	GITTER FUER HOHE GRUPPE
92	77487012	PROFILO BASAMENTO ANT.1GR GRIGIO	BASE SURROUND GREY 1GR	PROFILS BASE GRIS 1GR	GRUNDPROFIL GRAU 1GR
93	77487013	PROFILO BASAMENTO ANT.2GR GRIGIO	BASE SURROUND GREY 2GR	PROFILS BASE GRIS 2GR	GRUNDPROFIL GRAU 2GR
94	77487014	PROFILO BASAMENTO ANT.3GR GRIGIO	BASE SURROUND GREY 3GR	PROFILS BASE GRIS 3GR	GRUNDPROFIL GRAU 3GR
95	77487015	PROFILO BASAMENTO ANT.4GR GRIGIO	BASE SURROUND GREY 4GR	PROFILS BASE GRIS 4GR	GRUNDPROFIL GRAU 4GR
96	77487016	PROFILO BASAMENTO ANT.1GR GAS GRIGIO	BASE SURROUND GREY 1GR GAS	PROFILS BASE GRIS 1GR GAS	GRUNDPROFIL GRAU 1GR GAS
97	77487017	PROFILO BASAMENTO ANT.2GR GAS GRIGIO	BASE SURROUND GREY 2GR GAS	PROFILS BASE GRIS 2GR GAS	GRUNDPROFIL GRAU 2GR GAS
98	77487018	PROFILO BASAMENTO ANT.3GR GAS GRIGIO	BASE SURROUND GREY 3GR GAS	PROFILS BASE GRIS 3GR GAS	GRUNDPROFIL GRAU 3GR GAS
99	77487019	PROFILO BASAMENTO ANT.4GR GAS GRIGIO	BASE SURROUND GREY 4GR GAS	PROFILS BASE GRIS 4GR GAS	GRUNDPROFIL GRAU 4GR GAS
100	77487024	FRONTALINO MANOMETRO	FRONTAL PRESSURE GAUGE	JAUGE DE PRESSION FRONTAL	FRONTALER MANOMETER
101	4621115005	MANOMETRO TONDO DOPPIA SCALA	PRESSURE GAUGE	MANOMETRE	MANOMETER
102	4621115006	MANOMETRO TONDO 16 BAR	MANOMETER 16BAR	MANOMETRE 16BAR	MANOMETER 16BAR



**STD**

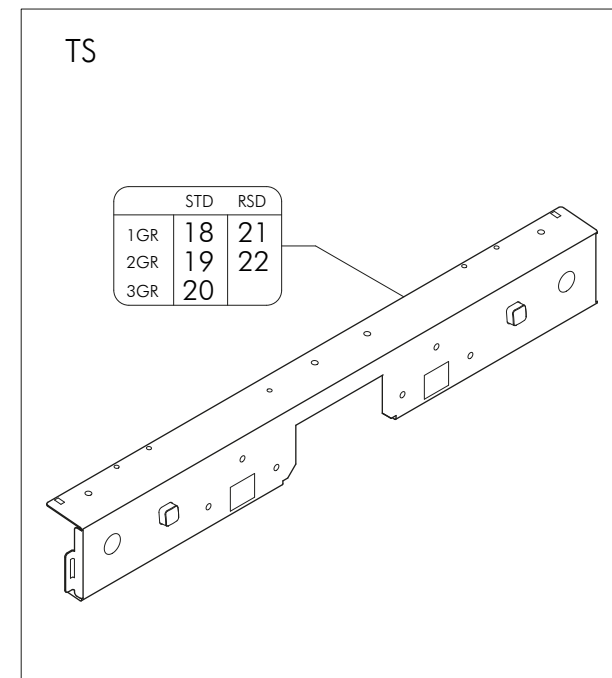
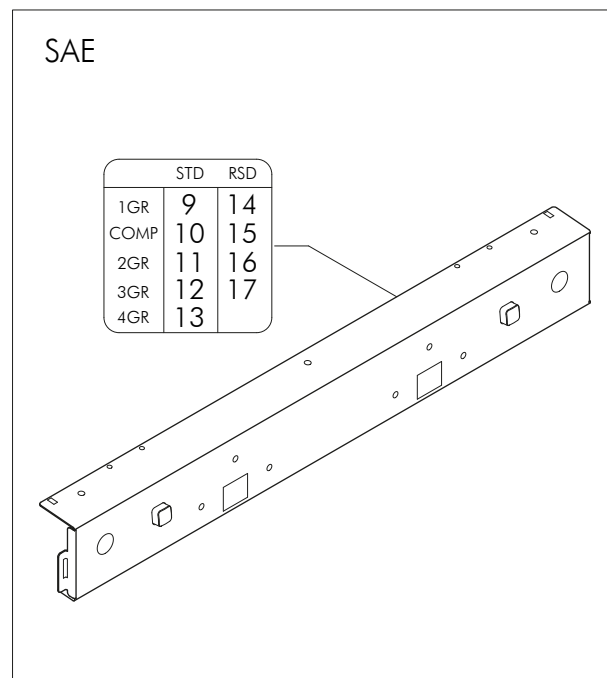
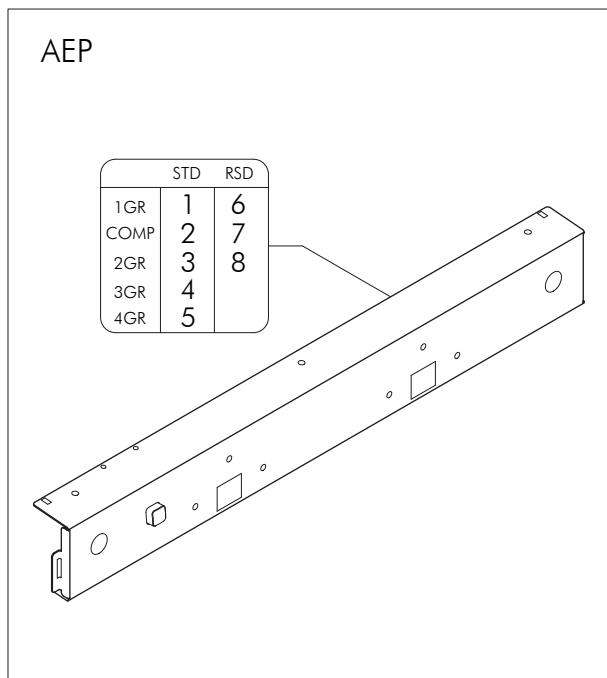
GRUPPI STANDARD  
STANDARD GROUPS  
GROUPES STANDARD  
STANDARD GRUPPEN

**RSD**

GRUPPI RIALZATI  
RAISED GROUPS  
GROUPES SURELEVES  
ERHOHTE GRUPPEN

## INOX - S.STEEL - INOX - STAHL

Pos	Cod.	Denominazione - IT -	Denomination - GB -	Denomination - FR -	Denomination - DE -
1	56901450	FRONTONE ASS.AEP/1 GR.STD INOX	ASSEMBLY FRONT PANEL AEP/1 S.STEEL	ENSEMBLE PANNEAU FRONTAL AEP/1 INOX	STIRNTAFEL AEP/1 STAHL
2	56901451	FRONTONE ASS.AEP/2C GR.STD INOX	ASSEMBLY FRONT PANEL AEP/2C S.STEEL	ENSEMBLE PANNEAU FRONTAL AEP/2C INOX	STIRNTAFEL AEP/2C STAHL
3	56901452	FRONTONE ASS.AEP/2 GR.STD INOX	ASSEMBLY FRONT PANEL AEP/2 S.STEEL	ENSEMBLE PANNEAU FRONTAL AEP/2 INOX	STIRNTAFEL AEP/2 STAHL
4	56901453	FRONTONE ASS.AEP/3 GR.STD INOX	ASSEMBLY FRONT PANEL AEP/3 S.STEEL	ENSEMBLE PANNEAU FRONTAL AEP/3 INOX	STIRNTAFEL AEP/3 STAHL
5	56901454	FRONTONE ASS.AEP/4 GR.STD INOX	ASSEMBLY FRONT PANEL AEP/4 S.STEEL	ENSEMBLE PANNEAU FRONTAL AEP/4 INOX	STIRNTAFEL AEP/4 STAHL
6	56901460	FRONTONE ASS.AEP/1 GR.RIA INOX	ASSEMBLY FRONT PANEL AEP/1 S.STEEL	ENSEMBLE PANNEAU FRONTAL AEP/1 INOX	STIRNTAFEL AEP/1 STAHL
7	56901461	FRONTONE ASS.AEP/2C GR.RIA INOX	ASSEMBLY FRONT PANEL AEP/2C S.STEEL	ENSEMBLE PANNEAU FRONTAL AEP/2C INOX	STIRNTAFEL AEP/2C STAHL
8	56901462	FRONTONE ASS.AEP/2 GR.RIA INOX	ASSEMBLY FRONT PANEL AEP/2 S.STEEL	ENSEMBLE PANNEAU FRONTAL AEP/2 INOX	STIRNTAFEL AEP/2 STAHL
9	56901463	FRONTONE ASS.AEP/3 GR.RIA INOX	ASSEMBLY FRONT PANEL AEP/3 S.STEEL	ENSEMBLE PANNEAU FRONTAL AEP/3 INOX	STIRNTAFEL AEP/3 STAHL
10	56901464	FRONTONE ASS.AEP/4 GR.RIA INOX	ASSEMBLY FRONT PANEL AEP/4 S.STEEL	ENSEMBLE PANNEAU FRONTAL AEP/4 INOX	STIRNTAFEL AEP/4 STAHL
11	56901455	FRONTONE ASS.SAE/1 GR.STD INOX	ASSEMBLY FRONT PANEL SAE/1 S.STEEL	ENSEMBLE PANNEAU FRONTAL SAE/1 INOX	STIRNTAFEL SAE/1 STAHL
12	56901456	FRONTONE ASS.SAE/2C GR.STD INOX	ASSEMBLY FRONT PANEL SAE/2C S.STEEL	ENSEMBLE PANNEAU FRONTAL SAE/2C INOX	STIRNTAFEL SAE/2C STAHL
13	56901457	FRONTONE ASS.SAE/2 GR.STD INOX	ASSEMBLY FRONT PANEL SAE/2 S.STEEL	ENSEMBLE PANNEAU FRONTAL SAE/2 INOX	STIRNTAFEL SAE/2 STAHL
14	56901458	FRONTONE ASS.SAE/3 GR.STD INOX	ASSEMBLY FRONT PANEL SAE/2 S.STEEL	ENSEMBLE PANNEAU FRONTAL SAE/2 INOX	STIRNTAFEL SAE/3 STAHL
15	56901459	FRONTONE ASS.SAE/4 GR.STD INOX	ASSEMBLY FRONT PANEL SAE/4 S.STEEL	ENSEMBLE PANNEAU FRONTAL SAE/4 INOX	STIRNTAFEL SAE/4 STAHL
16	56901465	FRONTONE ASS.SAE/1 GR.RIA INOX	ASSEMBLY FRONT PANEL SAE/1 S.STEEL	ENSEMBLE PANNEAU FRONTAL SAE/1 INOX	STIRNTAFEL SAE/1 STAHL
17	56901466	FRONTONE ASS.SAE/2C GR.RIA INOX	ASSEMBLY FRONT PANEL SAE/2C S.STEEL	ENSEMBLE PANNEAU FRONTAL SAE/2C INOX	STIRNTAFEL SAE/2C STAHL
18	56901467	FRONTONE ASS.SAE/2 GR.RIA INOX	ASSEMBLY FRONT PANEL SAE/2 S.STEEL	ENSEMBLE PANNEAU FRONTAL SAE/2 INOX	STIRNTAFEL SAE/2 STAHL
19	56901468	FRONTONE ASS.SAE/3 GR.RIA INOX	ASSEMBLY FRONT PANEL SAE/3 S.STEEL	ENSEMBLE PANNEAU FRONTAL SAE/3 INOX	STIRNTAFEL SAE/3 STAHL
20	56901469	FRONTONE ASS.SAE/4 GR.RIA INOX	ASSEMBLY FRONT PANEL SAE/4 S.STEEL	ENSEMBLE PANNEAU FRONTAL SAE/4 INOX	STIRNTAFEL SAE/4 STAHL
21	56901444	FRONTONE ASS.SAE/2+DSP GR.STD INOX	ASSEMBLY FRONT PANEL SAE/2+DSP S.STEEL	ENSEMBLE PANNEAU FRONTAL SAE/2+DSP INOX	STIRNTAFEL SAE/2+DSP STAHL
22	56901445	FRONTONE ASS.SAE/3+DSP GR.STD INOX	ASSEMBLY FRONT PANEL SAE/3+DSP S.STEEL	ENSEMBLE PANNEAU FRONTAL SAE/3+DSP INOX	STIRNTAFEL SAE/3+DSP STAHL
23	56901446	FRONTONE ASS.SAE/4+DSP GR.STD INOX	ASSEMBLY FRONT PANEL SAE/4+DSP S.STEEL	ENSEMBLE PANNEAU FRONTAL SAE/4+DSP INOX	STIRNTAFEL SAE/4+DSP STAHL
24	56901447	FRONTONE ASS.SAE/2+DSP GR.RIA INOX	ASSEMBLY FRONT PANEL SAE/2+DSP S.STEEL	ENSEMBLE PANNEAU FRONTAL SAE/2+DSP INOX	STIRNTAFEL SAE/2+DSP STAHL
25	56901448	FRONTONE ASS.SAE/3+DSP GR.RIA INOX	ASSEMBLY FRONT PANEL SAE/3+DSP S.STEEL	ENSEMBLE PANNEAU FRONTAL SAE/3+DSP INOX	STIRNTAFEL SAE/3+DSP STAHL
26	56901449	FRONTONE ASS.SAE/4+DSP GR.RIA INOX	ASSEMBLY FRONT PANEL SAE/4+DSP S.STEEL	ENSEMBLE PANNEAU FRONTAL SAE/4+DSP INOX	STIRNTAFEL SAE/4+DSP STAHL



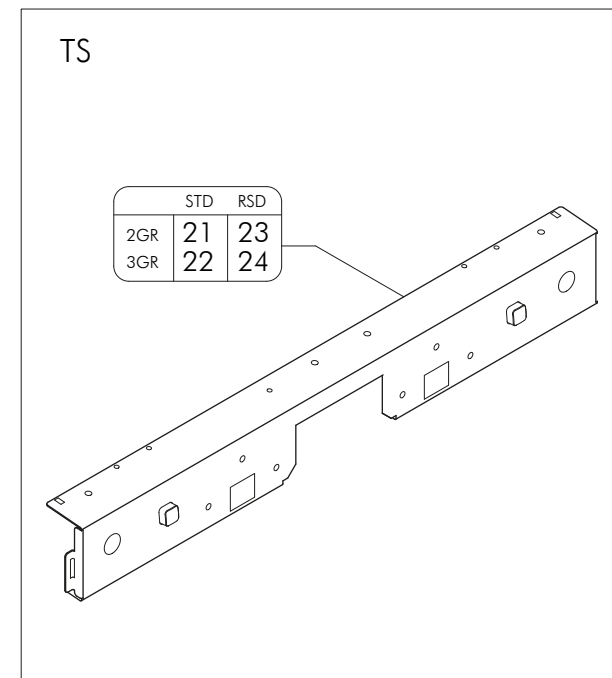
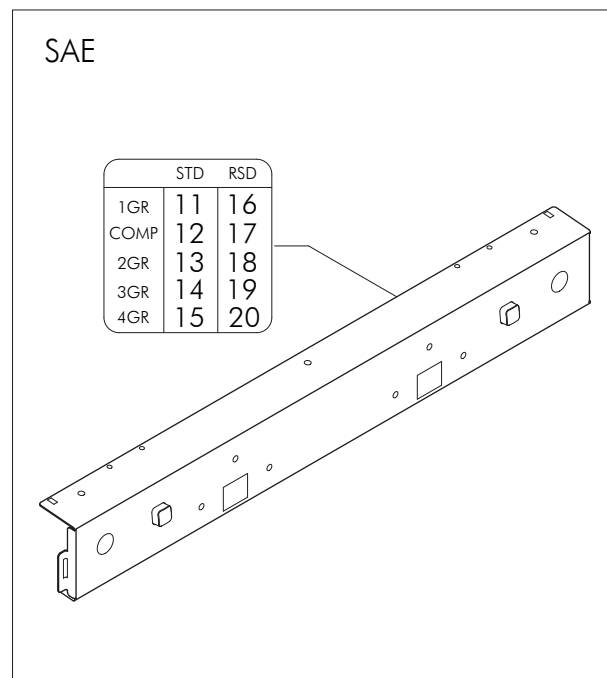
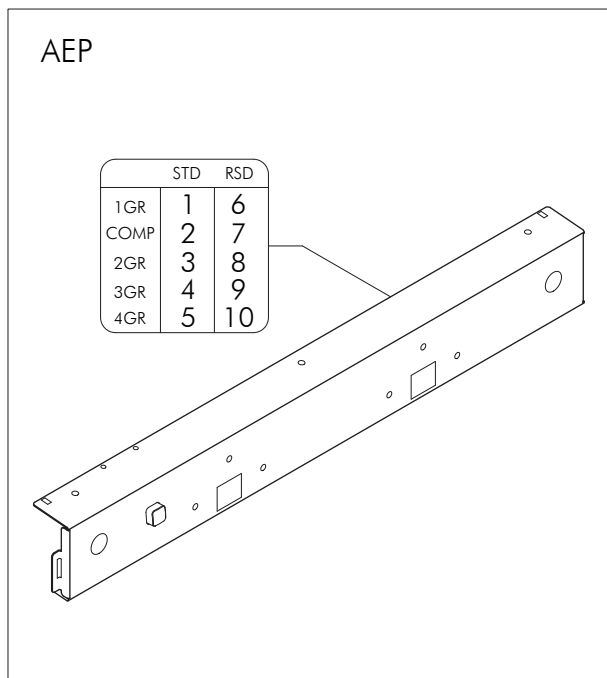
**STD**  
GRUPPI STANDARD  
STANDARD GROUPS  
GROUPES STANDARD  
STANDARD GRUPPEN

**RSD**  
GRUPPI RIALZATI  
RAISED GROUPS  
GROUPES SURELEVES  
ERHOHTE GRUPPEN



## ROSSO - RED - ROUGE - ROT

Pos	Cod.	Denominazione - IT -	Denomination - GB -	Denomination - FR -	Denomination - DE -
1	56901496	FRONTONE ASS.AEP/1 GR.STD ROSSO	ASSEMBLY FRONT PANEL AEP/1 RED	ENSEMBLE PANNEAU FRONTAL AEP/1 ROUGE	STIRNTAFEL AEP/1 ROT
2	56901497	FRONTONE ASS.AEP/2C GR.STD ROSSO	ASSEMBLY FRONT PANEL AEP/2C RED	ENSEMBLE PANNEAU FRONTAL AEP/2C ROUGE	STIRNTAFEL AEP/2C ROT
3	56901498	FRONTONE ASS.AEP/2 GR.STD ROSSO	ASSEMBLY FRONT PANEL AEP/2 RED	ENSEMBLE PANNEAU FRONTAL AEP/2 ROUGE	STIRNTAFEL AEP/2 ROT
4	56901499	FRONTONE ASS.AEP/3 GR.STD ROSSO	ASSEMBLY FRONT PANEL AEP/3 RED	ENSEMBLE PANNEAU FRONTAL AEP/3 ROUGE	STIRNTAFEL AEP/3 ROT
5	56901500	FRONTONE ASS.AEP/4 GR.STD ROSSO	ASSEMBLY FRONT PANEL AEP/4 RED	ENSEMBLE PANNEAU FRONTAL AEP/4 ROUGE	STIRNTAFEL AEP/4 ROT
6	56901506	FRONTONE ASS.AEP/1 GR.STD ROSSO	ASSEMBLY FRONT PANEL AEP/1 RED	ENSEMBLE PANNEAU FRONTAL AEP/1 ROUGE	STIRNTAFEL AEP/1 ROT
7	56901507	FRONTONE ASS.AEP/2C GR.RIA ROSSO	ASSEMBLY FRONT PANEL AEP-2C RED	ENSEMBLE PANNEAU FRONTAL AEP-2C ROUGE	STIRNTAFEL AEP-2C ROT
8	56901508	FRONTONE ASS.AEP/2 GR.RIA ROSSO	ASSEMBLY FRONT PANEL AEP/2 RED	ENSEMBLE PANNEAU FRONTAL AEP/2 ROUGE	STIRNTAFEL AEP/2 ROT
9	56901501	FRONTONE ASS.SAE/1 GR.STD ROSSO	ASSEMBLY FRONT PANEL SAE/1 RED	ENSEMBLE PANNEAU FRONTAL SAE/1 ROUGE	STIRNTAFEL SAE/1 ROT
10	56901502	FRONTONE ASS.SAE/2C GR.STD ROSSO	ASSEMBLY FRONT PANEL SAE/2C RED	ENSEMBLE PANNEAU FRONTAL SAE/2C ROUGE	STIRNTAFEL SAE/2C ROT
11	56901503	FRONTONE ASS.SAE/2 GR.STD ROSSO	ASSEMBLY FRONT PANEL SAE/2 RED	ENSEMBLE PANNEAU FRONTAL SAE/2 ROUGE	STIRNTAFEL SAR/2 ROT
12	56901504	FRONTONE ASS.SAE/3 GR.STD ROSSO	ASSEMBLY FRONT PANEL SAE/3 RED	ENSEMBLE PANNEAU FRONTAL SAE/3 ROUGE	STIRNTAFEL SAE/3 ROT
13	56901505	FRONTONE ASS.SAE/4 GR.STD ROSSO	ASSEMBLY FRONT PANEL SAE/4 RED	ENSEMBLE PANNEAU FRONTAL SAE/4 ROUGE	STIRNTAFEL SAE/4 ROT
14	56901511	FRONTONE ASS.SAE/1 GR.RIA ROSSO	ASSEMBLY FRONT PANEL SAE/1 RED	ENSEMBLE PANNEAU FRONTAL SAE/1 ROUGE	STIRNTAFEL SAE/1 ROT
15	56901512	FRONTONE ASS.SAE/2C GR.RIA ROSSO	ASSEMBLY FRONT PANEL SAE/2C RED	ENSEMBLE PANNEAU FRONTAL SAE/2C ROUGE	STIRNTAFEL SAE/2C ROT
16	56901513	FRONTONE ASS.SAE/2 GR.RIA ROSSO	ASSEMBLY FRONT PANEL SAE/2 RED	ENSEMBLE PANNEAU FRONTAL SAE/2 ROUGE	STIRNTAFEL SAE/2 ROT
17	56901514	FRONTONE ASS.SAE/3 GR.RIA ROSSO	ASSEMBLY FRONT PANEL SAE/3 RED	ENSEMBLE PANNEAU FRONTAL SAE/3 ROUGE	STIRNTAFEL SAE/3 ROT
18	56901516	FRONTONE ASS.SAE/2+DSP GR.STD ROSSO	ASSEMBLY FRONT PANEL SAE/2+DSP RED	ENSEMBLE PANNEAU FRONTAL SAE/2+DSP ROUGE	STIRNTAFEL SAE/2+DSP ROT
19	56901517	FRONTONE ASS.SAE/3+DSP GR.STD ROSSO	ASSEMBLY FRONT PANEL SAE/3+DSP RED	ENSEMBLE PANNEAU FRONTAL SAE/3+DSP ROUGE	STIRNTAFEL SAE/3+DSP ROT
20	56901518	FRONTONE ASS.SAE/4+DSP GR.STD ROSSO	ASSEMBLY FRONT PANEL SAE/4+DSP RED	ENSEMBLE PANNEAU FRONTAL SAE/4+DSP ROUGE	STIRNTAFEL SAE/4+DSP ROT
21	56901519	FRONTONE ASS.SAE/2+DSP GR.RIA ROSSO	ASSEMBLY FRONT PANEL SAE/2+DSP RED	ENSEMBLE PANNEAU FRONTAL SAE/2+DSP ROUGE	STIRNTAFEL SAE/2+DSP ROT
22	56901520	FRONTONE ASS.SAE/3+DSP GR.RIA ROSSO	ASSEMBLY FRONT PANEL SAE/3+DSP RED	ENSEMBLE PANNEAU FRONTAL SAE/3+DSP ROUGE	STIRNTAFEL SAE/3+DSP ROT

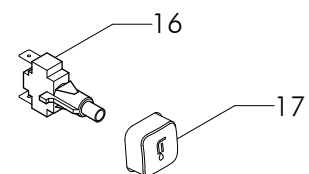
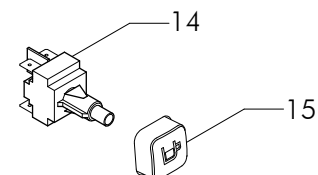
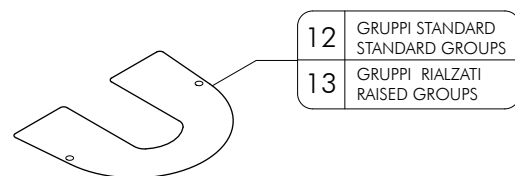
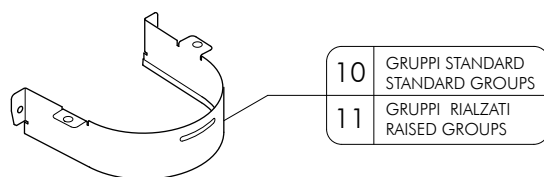
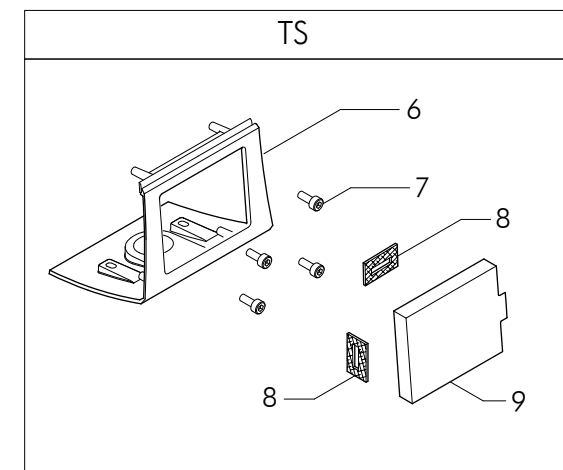
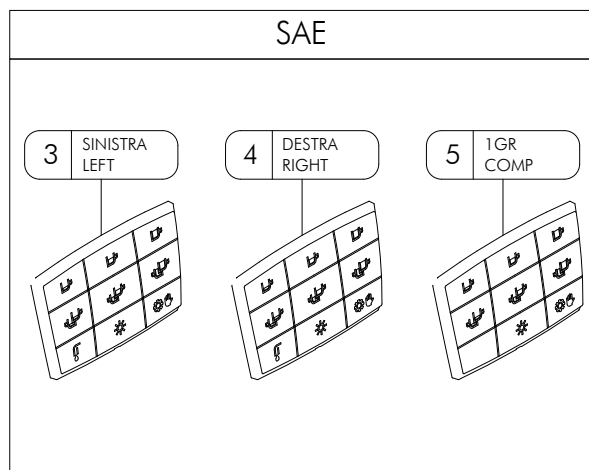
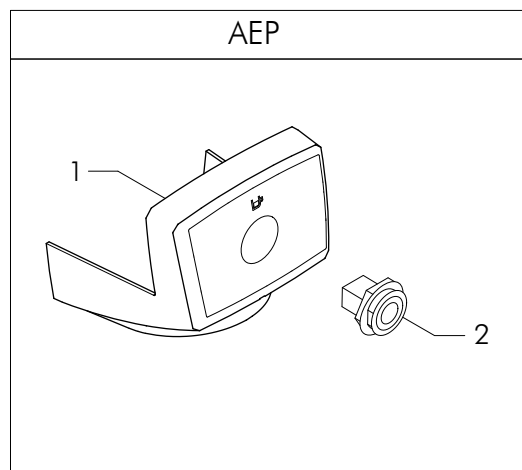


**STD**  
GRUPPI STANDARD  
STANDARD GROUPS  
GROUPES STANDARD  
STANDARD GRUPPEN

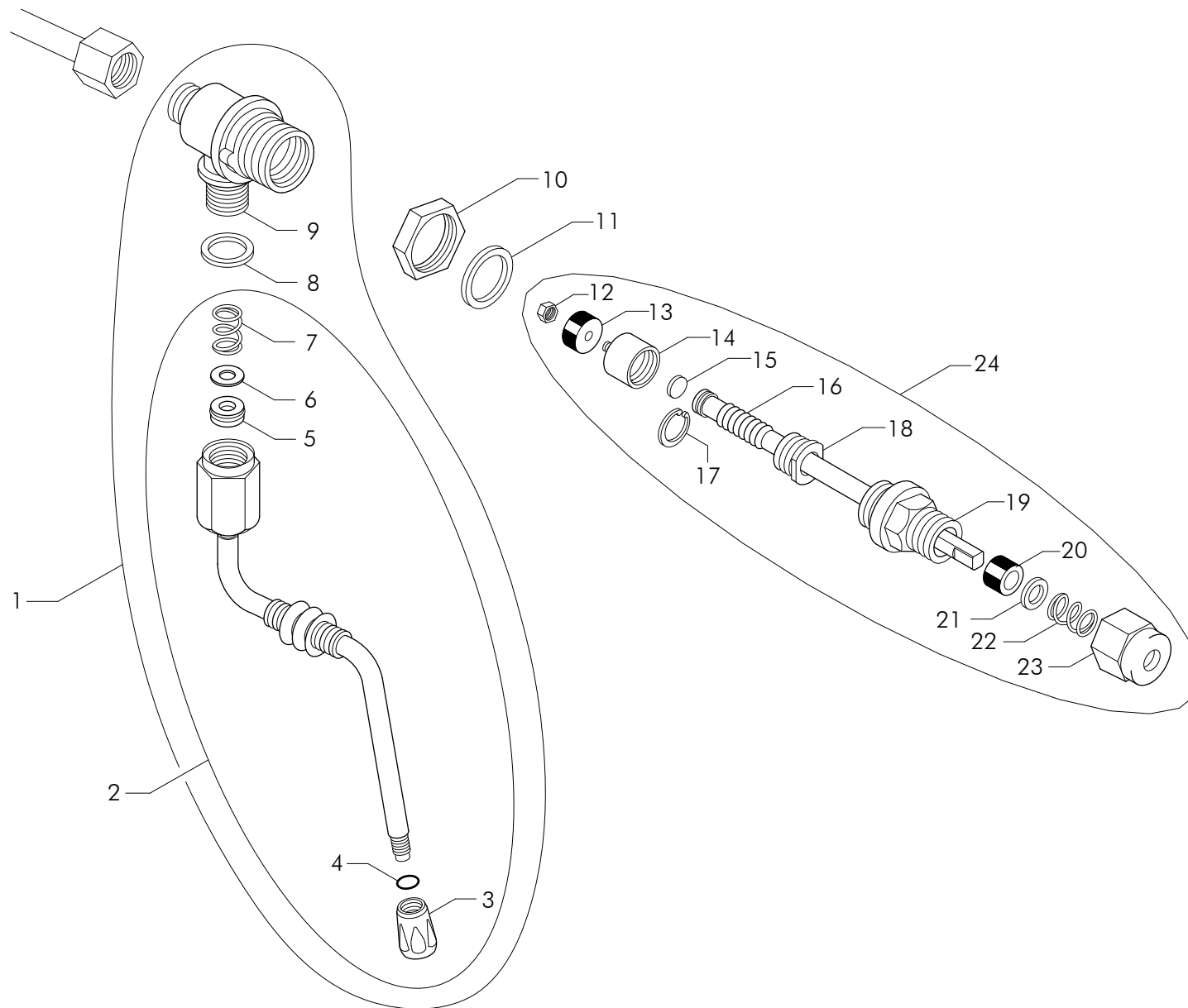
**RSD**  
GRUPPI RIALZATI  
RAISED GROUPS  
GROUPES SURELEVES  
ERHOHTE GRUPPEN

## BIANCO - WHITE - BLANC - WEISS

Pos	Cod.	Denominazione - IT -	Denomination - GB -	Denomination - FR -	Denomination - DE -
1	56901470	FRONTONE ASS.AEP/1 GR.STD BIANCO	ASSEMBLY FRONT PANEL AEP/1 WHITE	ENSEMBLE PANNEAU FRONTAL AEP/1 BLANC	STIRNTAFEL AEP/1 WEISS
2	56901471	FRONTONE ASS.AEP/2C GR.STD BIANCO	ASSEMBLY FRONT PANEL AEP/2C WHITE	ENSEMBLE PANNEAU FRONTAL AEP/2C BLANC	STIRNTAFEL AEP/2C WEISS
3	56901472	FRONTONE ASS.AEP/2 GR.STD BIANCO	ASSEMBLY FRONT PANEL AEP/2 WHITE	ENSEMBLE PANNEAU FRONTAL AEP/2 BLANC	STIRNTAFEL AEP/2 WEISS
4	56901473	FRONTONE ASS.AEP/3 GR.STD BIANCO	ASSEMBLY FRONT PANEL AEP/3 WHITE	ENSEMBLE PANNEAU FRONTAL AEP/3 BLANC	STIRNTAFEL AEP/3 WEISS
5	56901474	FRONTONE ASS.AEP/4 GR.STD BIANCO	ASSEMBLY FRONT PANEL AEP/4 WHITE	ENSEMBLE PANNEAU FRONTAL AEP/4 BLANC	STIRNTAFEL AEP/4 WEISS
6	56901480	FRONTONE ASS.AEP/1 GR.RIA BIANCO	ASSEMBLY FRONT PANEL AEP/1 WHITE	ENSEMBLE PANNEAU FRONTAL AEP/1 BLANC	STIRNTAFEL AEP/1 WEISS
7	56901481	FRONTONE ASS.AEP/2C GR.RIA BIANCO	ASSEMBLY FRONT PANEL AEP/2C WHITE	ENSEMBLE PANNEAU FRONTAL AEP/2C BLANC	STIRNTAFEL AEP/2C WEISS
8	56901482	FRONTONE ASS.AEP/2 GR.RIA BIANCO	ASSEMBLY FRONT PANEL AEP/2 WHITE	ENSEMBLE PANNEAU FRONTAL AEP/2 BLANC	STIRNTAFEL AEP/2 WEISS
9	56901483	FRONTONE ASS.AEP/3 GR.RIA BIANCO	ASSEMBLY FRONT PANEL AEP/3 WHITE	ENSEMBLE PANNEAU FRONTAL AEP/3 BLANC	STIRNTAFEL AEP/3 WEISS
10	56901484	FRONTONE ASS.AEP/4 GR.RIA BIANCO	ASSEMBLY FRONT PANEL AEP/4 WHITE	ENSEMBLE PANNEAU FRONTAL AEP/4 BLANC	STIRNTAFEL AEP/4 WEISS
11	56901475	FRONTONE ASS.SAE/1 GR.STD BIANCO	ASSEMBLY FRONT PANEL SAE/1 WHITE	ENSEMBLE PANNEAU FRONTAL SAE/1 BLANC	STIRNTAFEL SAE/1 WEISS
12	56901476	FRONTONE ASS.SAE/2C GR.STD BIANCO	ASSEMBLY FRONT PANEL SAE/2C WHITE	ENSEMBLE PANNEAU FRONTAL SAE/2C BLANC	STIRNTAFEL SAE/2C WEISS
13	56901477	FRONTONE ASS.SAE/2 GR.STD BIANCO	ASSEMBLY FRONT PANEL SAE/2 WHITE	ENSEMBLE PANNEAU FRONTAL SAE/2 BLANC	STIRNTAFEL SAE/2 WEISS
14	56901478	FRONTONE ASS.SAE/3 GR.STD BIANCO	ASSEMBLY FRONT PANEL SAE/3 WHITE	ENSEMBLE PANNEAU FRONTAL SAE/3 BLANC	STIRNTAFEL SAE/3 WEISS
15	56901479	FRONTONE ASS.SAE/4 GR.STD BIANCO	ASSEMBLY FRONT PANEL SAE/4 WHITE	ENSEMBLE PANNEAU FRONTAL SAE/4 BLANC	STIRNTAFEL SAE/4 WEISS
16	56901485	FRONTONE ASS.SAE/1 GR.RIA BIANCO	ASSEMBLY FRONT PANEL SAE/1 WHITE	ENSEMBLE PANNEAU FRONTAL SAE/1 BLANC	STIRNTAFEL SAE/1 WEISS
17	56901486	FRONTONE ASS.SAE/2C GR.RIA BIANCO	ASSEMBLY FRONT PANEL SAE/2C WHITE	ENSEMBLE PANNEAU FRONTAL SAE/2C BLANC	STIRNTAFEL SAE/2C WEISS
18	56901487	FRONTONE ASS.SAE/2 GR.RIA BIANCO	ASSEMBLY FRONT PANEL SAE/2 WHITE	ENSEMBLE PANNEAU FRONTAL SAE/2 BLANC	STIRNTAFEL SAE/2 WEISS
19	56901488	FRONTONE ASS.SAE/3 GR.RIA BIANCO	ASSEMBLY FRONT PANEL SAE/3 WHITE	ENSEMBLE PANNEAU FRONTAL SAE/3 BLANC	STIRNTAFEL SAE/3 WEISS
20	56901489	FRONTONE ASS.SAE/4 GR.RIA BIANCO	ASSEMBLY FRONT PANEL SAE/4 WHITE	ENSEMBLE PANNEAU FRONTAL SAE/4 BLANC	STIRNTAFEL SAE/4 WEISS
21	56901490	FRONTONE ASS.SAE/2+DSP GR.STD BIANCO	ASSEMBLY FRONT PANEL SAE/2+DSP WHITE	ENSEMBLE PANNEAU FRONTAL SAE/2+DSP BLANC	STIRNTAFEL SAE/2+DSP WEISS
22	56901491	FRONTONE ASS.SAE/3+DSP GR.STD BIANCO	ASSEMBLY FRONT PANEL SAE/3+DSP WHITE	ENSEMBLE PANNEAU FRONTAL SAE/3+DSP BLANC	STIRNTAFEL SAE/3+DSP WEISS
23	56901493	FRONTONE ASS.SAE/2+DSP GR.RIA BIANCO	ASSEMBLY FRONT PANEL SAE/2+DSP WHITE	ENSEMBLE PANNEAU FRONTAL SAE/2+DSP BLANC	STIRNTAFEL SAE/2+DSP WEISS
24	56901494	FRONTONE ASS.SAE/3+DSP GR.RIA BIANCO	ASSEMBLY FRONT PANEL SAE/3+DSP WHITE	ENSEMBLE PANNEAU FRONTAL SAE/3+DSP BLANC	STIRNTAFEL SAE/3+DSP WEISS

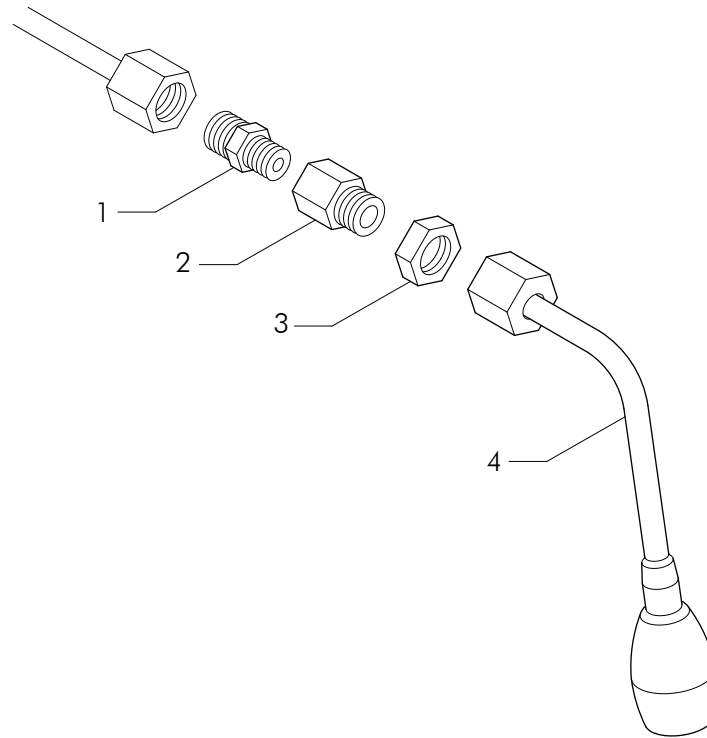


Pos	Cod.	Denominazione - IT -	Denomination - GB -	Denomination - FR -	Denomination - DE -
1	71759700	CRUSCOTTO PULSANTIERA AEP	PUSH BUTTON PANEL AEP	BOUTON PANEL AEP	TASTATUREN AEP
2	18270004	PULSANTE ANTIVANDALO D-30 6V BIANCO	VANDAL-PROOF BUTTON WHITE	ANTI VANDALE BOUTON POUSSOIR BLANC	ANTI VANDAL TASTER WEISS
3	8318090344R	PULSANTIERA SINISTRA COMPLETA	COMPLETE PUSHBUTTON - LEFT	POUSSOIR GAUCHE	LINKE SCHIEBEN
4	8318090343R	PULSANTIERA DESTRA COMPLETA	COMPLETE PUSHBUTTON - RIGHT	BOUTON PANEL DROIT	TASTATUREN RECHTS
5	8318090345R	KIT PULSANTIERA 1GR+COMP	COMPLETE PUSHBUTTON 1GR+COMP	POUSSOIR 1GR+COMP	1GR+COMP SCHIEBEN
6	77487025	FRONTALINO DISPLAY	DISPLAY PANEL	DISPLAY PANEL	DISPLAY PANEL
7	23564000	VITE TCEI INOX M3x8	STEEL SCREW TCEI M3x8	VIS INOX TCEI M3x8	VITE TCEI INOX M3x8
8	15183050	EPDM ESPANSO 2 CONNETTORI	EPDM	EPDM	EPDM
9	18371227	DISPLAY	DISPLAY	DISPLAY	DISPLAY
10	77230009	COPERTURA GRUPPI	GROUP COVER	COUVRE GROUPE	GRUPPE DECKEL
11	77230011	COPERTURA GRUPPI RIALZATI	R.GROUP PROTECTION	COUVRE R. GROUPE	R.GRUPPE DECKEL
12	77230010	PROTEZIONE SUPERIORE INTERNA GRUPPI	GROUP PROTECTION	PROTECTION GROUPE	GRUPPE PROTECTION
13	77230012	PROTEZIONE SUPERIORE INTERNA GR RI	GROUP PROTECTION	PROTECTION GROUPE	GRUPPE PROTECTION
14	18371057	INTERRUTTORE BIPOLARE	TWO POLE SWITCH	INTERRUPTEUR BIPOLAIRE	ZWEIPOLIGER SCHALTER
15	15373145	TASTO PULSANTIERE NERO	BLACK BUTTON	TOUCHE NOIR	SCHWARZ TASTE
16	18371058	PULSANTE UNIPOLARE	SINGLE POLE PUSHBUTTON	BOUTON-POUSSOIR UNIPOLAIRE	EINPOLIGER TASTER
17	15373146	TASTO PULSANTIERE NERO GOMMATO SIMBOLO H20	BLACK BUTTON	TOUCHE NOIR	SCHWARZ TASTE



## VAPORE - STEAM - VAPEUR - DAMPF

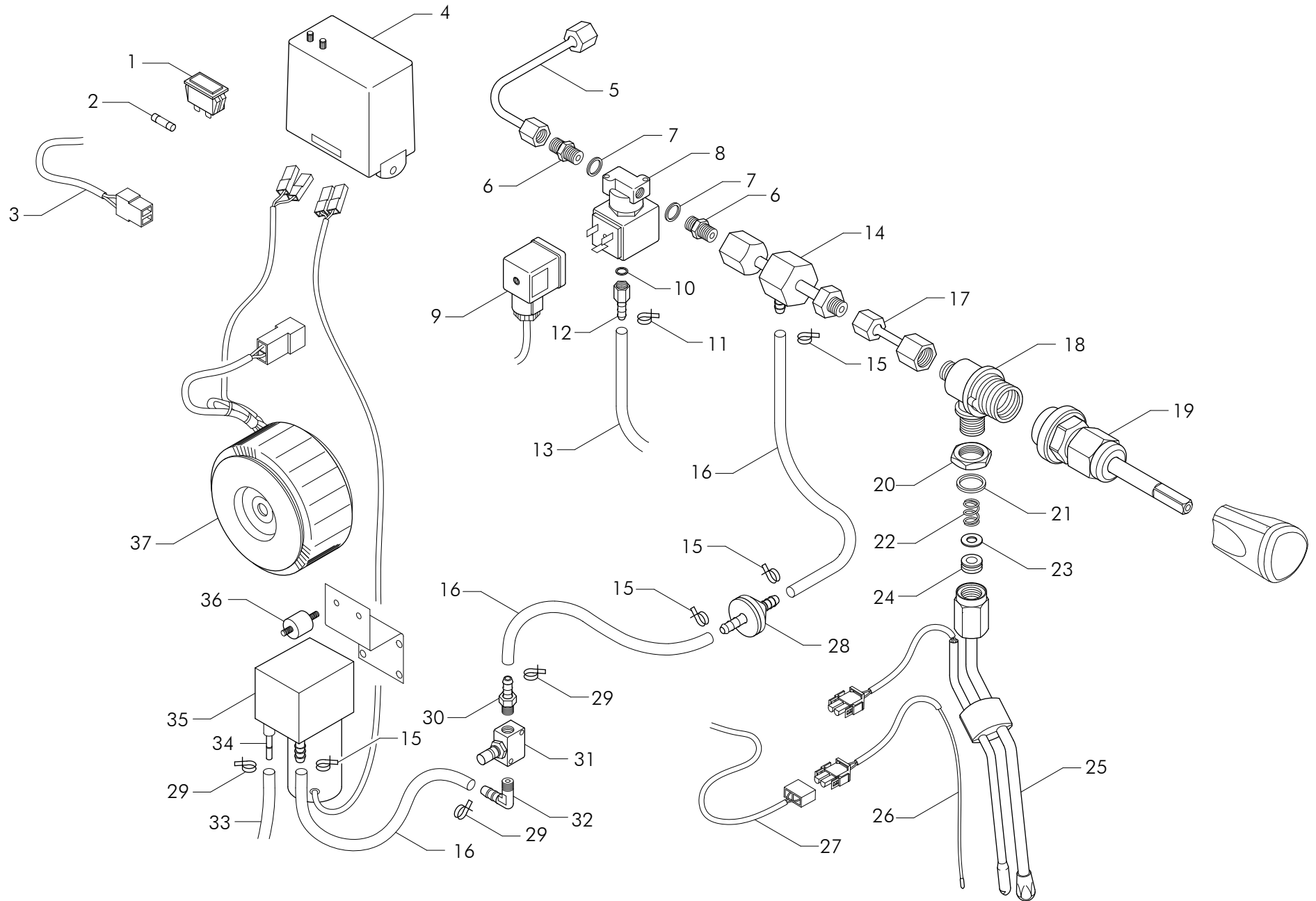
Pos	Cod.	Denominazione - IT -	Denomination - GB -	Denomination - FR -	Denomination - DE -
1	4925763354	TUBO VAPORE INOX D.8	STEAM PIPE ASSEMBLY D.8	TUYAU VAPEUR D.8	DAMPFROHRSATZ D-8
2	25763116	TUBO VAPORE INOX D.8	STEAM PIPE ASSEMBLY D.8	TUYAU VAPEUR D.8	DAMPFROHRSATZ D-8
3	25763080	SPRUZZATORE VAPORE 4 FORI TUBO D.8	STEEL STEAM SPRAYER	VAPORISATEUR INOX	STAHLDAMPFER
4	12662000	GUARNIZIONE SPRUZZATORE	GASKET OR	JOINT OR	DICHTUNG OR
5	12661	GUARNIZIONE OR CON LUNETTA P.MOLLA	OR REST FOR ST.STEEL STEAM PIPE	OR LUNETTE P.RESSORT TUYAU VAP. INOX	HALBE OR-DICHT.F.FEDER DAMPFROHR ED
6	23260018	RONDELLA ELASTICA D-14,2 Sp.1	WASHER D-14,2	RONDELLE D-14,2	SCHEIBE D-14,2
7	10465001	MOLLA De 11,4 Df1,7 AISI 302	STEAM SPRING S.STEEL	RESSORT AISI	DAMPF HAHNFEDEN STAHL
8	12010	GUARNIZIONE TEFLON ACQUA/VAPORE 20x17x2	PIPE GASKET TEFLON 20x17x2	JOINT TUYAU TEFLON EAU/VAP TEFLON	TEFLON-DICHTUNG WASSER/VAP 20x17x2
9	4953003	CORPO RUBINETTO	TAP BODY	CORPS DE ROBINET	HAHNKORPER
10	25384	DADO OTTONE M26x1.5	BRASS NUT 26X1.5	ECROU LAITON 26X1.5	MESSING-MUTTER 26X1.5
11	12158	GUARNIZIONE 26x20.5x2	GASKET 26x20.5x2	JOINT 26x20.5x2	DICHTUNG 26x20.5x2
12	23029	DADO INOX M3	STEEL NUT M3	ECROU INOX M3	STHAL MUTTER M3
13	12203	GUARNIZIONE HNBR 15x4x4	RUBBER GASKET 15x4x4	JOINT EN CAOUTCHOUC 15X4X4	GUMMIDICHTUNG 15x4x4
14	4925616	PISTONCINO RUBINETTO	TAP JUMPER	PISTON ROBINET	HAHNKOLBEN
15	25655052	DISCHETTO ASTA RUBINETTO	DISKETTE TAP ROS	DISQUETTE TIGE ROBINET	DISKETTE
16	25312003	ASTA RUBINETTO CROMATA A CORSA RIDOTTA	TAP TUBE	ROBINET TUYAU	HAHN STAB
17	10001	ANELLO ARRESTO D6 INOX	STEEL CIRCLIP	CIRCLIP INOX	STAHLHALTENRING
18	4925461	GHIERA RUBINETTO	TAP RING NUT	EMBOUT ROBINET	HAHNZWINGE
19	4925678001	RACCORDO RUBINETTO	TAP FITTING	RACCORD ROBINET	HAHNANSCHLUSSTUCK
20	12204	GUARNIZIONE GOMMA RUBINETTO 12.5x7.5x9	TAP RUBBER GASKET 12.5x7.5x9	JOINT CAOUTCHOUC ROB. 12.5X7.5X9	HAHNDICHTUNG 12.5x7.5x9
21	25655	RONDELLA RUBINETTO	TAP WASHER	RONDELLE ROBINET	HAHNSCHEIBE
22	10452	MOLLA RUBINETTO ACQUA/VAPORE N4	WATER/STEAM TAP SPRING N4	RESSORT DE ROBINET EAU-VAPEUR N4	WASSER/DAMPF HAHNFEDER N4
23	25385001	DADO PREMISTOPPA RUBINETTO + RONDELLA	TAP STUFFING NUT	ECROU DE PRESSE-ETOUPE ROBINET	STOPFBUCHSE MUTTER - HAHN
24	4956105011	RUBINETTO AP/SX ROTAZIONE LIMITATA 90G	LIMITED ROTATION TAP	ROBINET	HAHN STAB





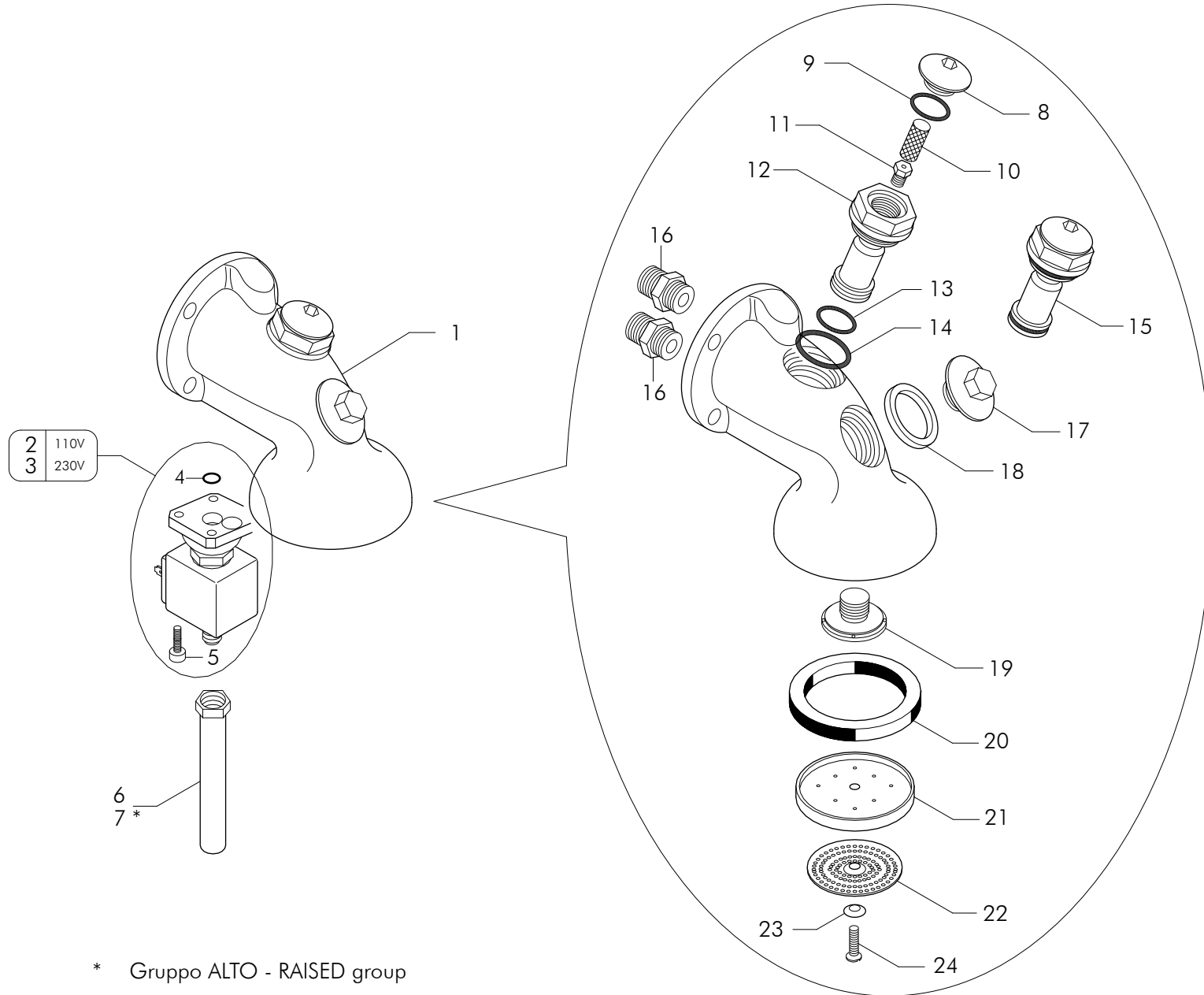
**ACQUA - WATER - EAU - WASSER**

Pos	Cod.	Denominazione - IT -	Denomination - GB -	Denomination - FR -	Denomination - DE -
1	4625707	RACCORDO 1/8x1/4	CONNECTOR 1/8x1/4	RACCORD 1/8x1/4	ANSCHLUSS 1/8x1/4
2	4925743001	RIDUZIONE 1/4Mx1/8F	REDUCTION 1/4Mx1/8F	REDUCTION 1/4Mx1/8F	REDUKTION 1/4Mx1/8F
3	25396	DADO 1/4 SP.4	NUT 1/4 - 4 THICK	ECROU 1/4 SP.4	MUTTER 1/4
4	25763192	TUBO ACQUA FISSA INOX	TUBE WATER	TUYAU EAU	WASSER ROHR



## AUTOSTEAMER

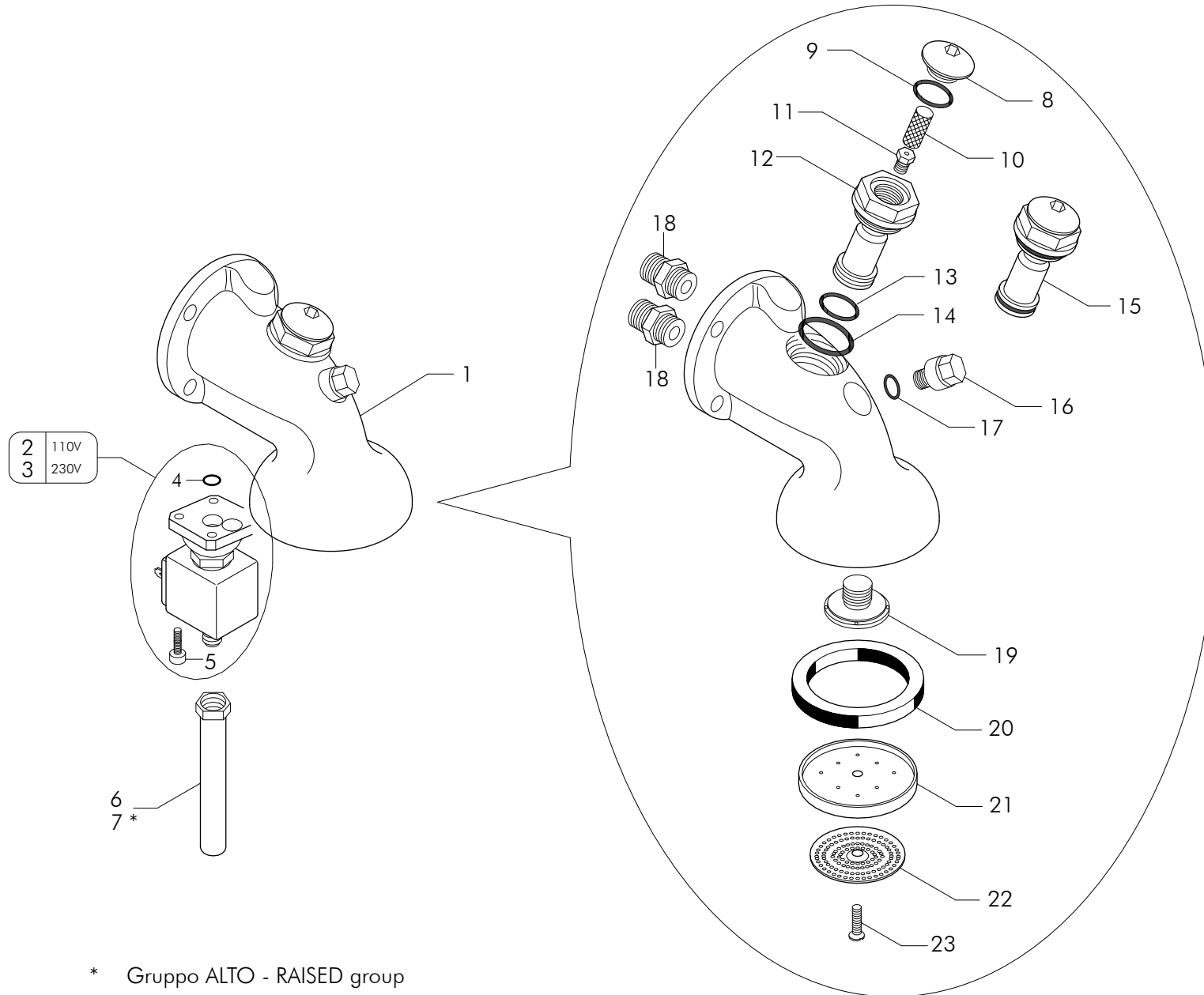
Pos	Cod.	Denominazione - IT -	Denomination - GB -	Denomination - FR -	Denomination - DE -
1	19123002	PORTAFUSIBILE F430 250V 10A UR/VDE	FUSE HOLDER 250V 10A UR	PORTE-FUSIBLE 250V 10A UR	SICHRUNGSHALTER 250V 10A UR
2	19105	FUSIBILE 5x20 T-1A UR/VDE	FUSE 5x20 T-1A	FUSIBLE 5x20 T-1A	SCHMELZSICHERUNG 5x20 T-1A
3	22716191	CABLAGGIO PORTAFUSIBILE AUTOSTEAMER	WIRING CARRYING FUSE AUTOSTEAMER	CABLE AUTOSTEAMER	KABEL AUTOSTEAMER
4	18080006	CENTRALINA DOPPIO CTR.POMP. INGRANAGGI	GEAR PUMP CONTROL	CENTRALE DE CONTROLE DE POMPE	PUMPE-STEUERGERAT
5	4952000879	TUBO D-8 L.135	TUBE D-8 L.135	TUYAU D-8 L.135	ROHR D-8 L.135
6	4925686	RACCORDO 1/4Mx1/4M	CONNECTOR 1/4Mx1/4M	RACCORD 1/4Mx1/4M	ANSCHLUSS 1/4Mx1/4M
7	12153003	GUARNIZIONE RAME 1/4 Sp.2	GASKET 1/4 Sp.2 COPPER	JOINT CUIVRE 1/4 Sp.2	KUPFERDICHTUNG 1/4 Sp.2
8	4618161979	ELETTROVALBOLA 3V 220-230V	SOLENOID VALVE 1/4-3,2 230V/50	ELECTROVANNE 1/4-3,2 230V	MAGNETVENTIL 1/4 D-3,2 230V
9	22716189	CABLAGGIO AUTOSTEAMER	AUTOSTEAMER WIRING	CABLAGE AUTOSTEAMER	AUTOSTEAMER VERDR.
10	12155	GUARNIZIONE RAME 8.5x5x1	COPPER GASKET 8.5X5X1	JOINT CU 8.5X5X1	CU DICHTUNG 8.5x5x1
11	15056003	FASCETTA BIFILARE A MOLLA D.11-11.6	SPRING CLAMP BI FILAR D11,00-11.6	COLLIER BIFILAIRE RESSORT D.11,00-11.6	SCHELLE D.11-11,6
12	4823228022	RACCORDO DRITTO 1/8F + PORTAGOMMA D-8	HOSE CONNECTION 1/8F D-8	PORTE-CAOUTCHOU 1/8F D-8	GUMMIHALTER 1/8F D-8
13	15477014	TUBO SILICONE PLATINICO 7x11	SILICON TUBE 7x11	TUBE EN SILICONE 7x11	ROHR SILIKON 7x11
14	25763155	INTERFACCIA EV VAPORE-CORPO RUBINETTO INOX	INTERFACE STEAM SOLENOID VALVE-TAP BODY	INTERFACE ELECTROVANNE VAP.-CORPS	SCHNITTSTELLE DAMPFVENTIL-HAHNKORPER
15	15056000	FASCETTA BIFILARE A MOLLA D.7,8-8,3	CLAMP D.7,8-8,3	COLLIER D.7,8-8,3	SCHELLE D.7,8-8,3
16	15477012	TUBO SILICONE PLATINICO 3x7	SILICONE TUBE 3X7	TUBE EN SILICONE 3x7	TUBO SILICONE PLATINICO 3x7
17	4952000880	TUBO D-8 L.30	TUBE D-8 L.30	TUYAU D-8 L.30	ROHR D-8 L.30
18	4953003	CORPO RUBINETTO	TAP BODY	CORPS DE ROBINET	HAHNKORPER
19	4956303003	ASTA RUB.PORTAMANOPOLA x AUTOSTEAMER	WATER/STEAM TAP UNIT	ENSEMBLE ROBINET EAU/VAPEUR	WASSER/DAMPF ROHRSATZ
20	25384003	DADO 18x1.5 OTTONE RUBINETTO A LEVA	BRASS NUT 18x1.5	ECROU LAITON 18x1.5	MESSING-MUTTER 18x1.5
21	12010	GUARNIZIONE TEFLON ACQUA/VAPORE 20x17x2	PIPE GASKET TEFLON 20x17x2	JOINT TUYAU TEFLON EAU/VAP TEFLON	TEFLON-DICHTUNG WASSER/VAP 20x17x2
22	10452	MOLLA RUBINETTO ACQUA/VAPORE N4	WATER/STEAM TAP SPRING N4	RESSORT DE ROBINET EAU-VAPEUR N4	WASSER/DAMPF HAHNFEDER N4
23	4925657	RONDELLA MOLLA VAPORE	STEAM SPRING WASHER	RONDELLE RESSORT VAPEUR	SCHEIBE FUR DAMPFEDER
24	12661	GUARNIZIONE OR CON LUNETTA P.MOLLA	OR REST FOR ST.STEEL STEAM PIPE	OR LUNETTE P.RESSORT TUYAU VAP. INOX	HALBE OR-DICHT.F.FEDER DAMPFROHR ED
25	25763204	KIT LANCIA-SONDA AUTOSTEAMER	KIT OF STEAM WAND+PROBE FOR AUTOSTEANER	KIT LANCE+SONDE POUR AUTOSTEAMER	DAMPFROHR+SUNDE FUER AUTOM.DAMPF
26	20306012	SENSORE NTC K10 AUTOSTEAMER	SENSOR NTC AUTOSTEAMER	SENSOR NTC AUTOSTEAMER	SENSOR NTC AUTOSTEAMER
27	22716192	CABLAGGIO SONDA AUTOSTEAMER	CABLE AUTOSTEAMER	CABLAGE AUTOSTEAMER	KABEL AUTOSTEAMER
28	20358006	VALVOLA NON RITORNO IN PLASTICA	NON RETURN VALVE	SOUPAPE DE NON RETOUR	ABSPERRVENTIL
29	15056001	FASCETTA BIFILARE A MOLLA D.8,8-9,3	CLAMP D.8,8-9,3	COLLIER D.8,8-9,3	SCHELLE D.8,8-9,3
30	4925725	RACCORDO PORTAGOMMA 1/8	VALVE CONNECTOR 1/8	RACCORD 1/8 SOUPAPE	VENTILFITTING 1/8
31	30499	REGOLATORE ARIA	AIR REGULATOR	REGULATEUR DE AIRE	REGLER
32	4623216	RACCORDO GOM.1/8M.CONICO+PORTAGOMMA D-6	CONICAL ELBOW CONNECTOR 1/8	RACCORD COUVE CONIQUE 1/8	KONISCHES FITTING 1/8
33	15476004	TUBO SILICONE 4x8 BLU	SILICONE PIPE 4X8 BLUE	TUBE SILICONE 4X8 BLEU	SILIKONSCHLAUCH 4X8 BLAU
34	25789321	GICLEUR D.0,5 INOX	GIGLEUR 0,5	GICLEUR D-0,5	DUSE D-0,5
35	26319010	MICROPOMPA NMP 830 KNDC 24VDC	MICROPUMP NMP 830 KNDC 24VDC	POMPE MICRO NMP 830 KNDC 24VDC	MIKROPUMPE NMP 830 KNDC 24VDC
36	15105	GOMMA AMMORTIZZATORE	RUBBER FOR MOTOR	CAOUTCHOU POUR MOTEUR	GUMMI x MOTOR
37	18563006	TRASFORMATORE TOROIDALE 20VA 2x12V	TRANSFORMATOR 20VA	TRASFORMATOR 20VA	TRANSFORMATOR 20VA



\* Gruppo ALTO - RAISED group

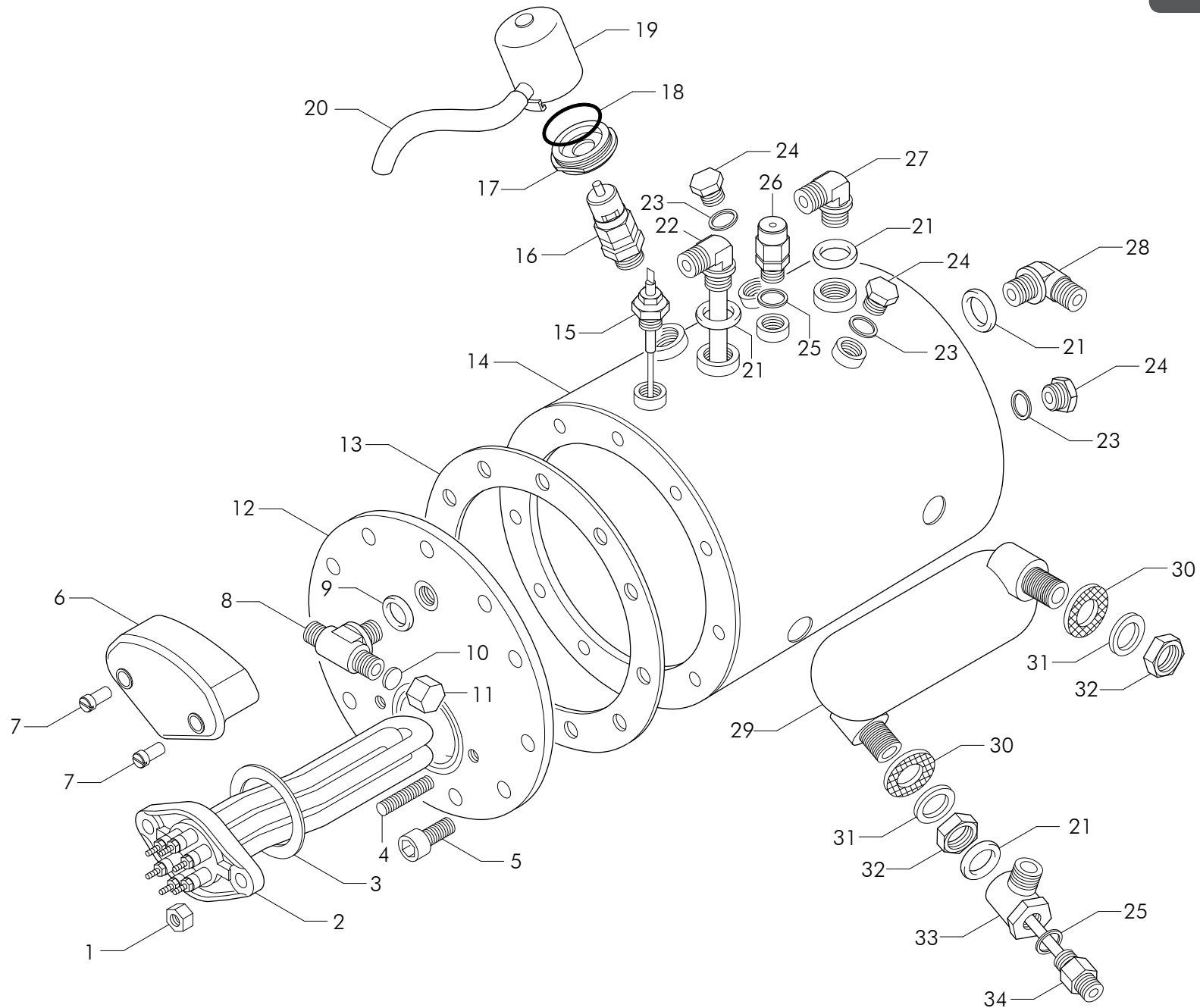
## CTS-58

Pos	Code	Denominazione - IT -	Denomination - EN -	Denomination - FR -	Denomination - DE -
1	4856082106	GRUPPO CTS 2003 NEUTRO	NEUTRAL CTS GROUP 2003	GROUPE CTS 2003 NEUTRE	GRUPPE CTS 2003 NEUTRAL
2	834718181015R	KIT ELETTROVALVOLA GRUPPO 110-120V	KIT GROUP SOLENOID VALVE 110-120V	KIT ELECTROVANNE GROUPE 110-120V	KIT MAGNETVENTIL GRUPPE 110-120V
3	834918151R	KIT ELETTROVALVOLA GRUPPO 230V	GROUP SOLENOID VALVE 230V KIT	KIT ELECTROVANNE GROUPE 230V	MAGNETVENTIL GRUPPE KIT 230V
4	12305	GUARNIZIONE OR	O RING	JOINT OR	O-RINGDICHT
5	23551	VITE TCEI INOX 4x12	STEEL SCREW TCCE 4x12	VIS INOX TCCE 4x12	STAHLSCHRAUBE TCCE 4x12
6	52000168	TUBO D-12 L.92	TUBE D-12 L.92	TUYAU D-12 L.92	ROHR D-12 L.92
7	52000194	TUBO D-12 L.132	TUBE D-12 L.132	TUYAU D-12 L.132	ROHR D-12 L.132
8	4825789306	TAPPO PORTA GIGLEUR GRUPPO CTS 03	CAP GROUP JET	BOUCHON GIGLEUR	STOPFEN EINSPRITZDUSE FUER GRUPPE
9	12336000	GUARNIZIONE ORM 0170-30 NBR Di17x3	GASKET ORM 0170-30 HNBR 70Sh	JOINT ORM 0170-30 HNBR 70Sh	DICHTUNG ORM 0170-30 HNBR 70Sh
10	10253	FILTRO GIGLER	JET FILTER	FILTRE GIGLEUR	DUSE FILTER
11	4810300001	GIGLER OTTONE PER GRUPPO D. 0,7	BRASS GROUP JET D 0.7	GIGLEUR LAITON POUR GROUPE D 0.7	VERMESSINGTE GRUPPENDUSE D 0.7
12	4825739502	PORTAGIGLER GRUPPO CTS 03	NOZZLE HOLDER GROUP CTS 03	PORTE-GIGLEUR GROUPE CTS 03	DUSEHALTER GRUPPE CTS 03
13	12300026	GUARNIZIONE OR	O RING GASKET	JOINT OR	OR DICHTUNG
14	12336001	GUARNIZIONE NBR Di25x4	GASKET NBR Di 25x4	JOINT NBR Di 25x4	DICHTUNG NBR Di 25x4
15	4856130001	ASSIEME PORTAGIGLER GRUPPO CTS 03	NOZZLE HOLDER GROUP CTS 03	PORTE-GIGLEUR GROUPE CTS 03	DUSEHALTER GRUPPE CTS 03R
16	4825687002	RACCORDO 3/8x3/8 GAS GRP CTS 03	CONNECTOR 3/8x3/8 CTS 03 UNIT	RACCORD 3/8x3/8 GR. CTS 03	ANSCHLUSS 3/8x3/8 CTS 03
17	4825789305	TAPPO CAMERA PREINFUSIONE GR CTS03	CAP GROUP JET	BOUCHON GIGLEUR	STOPFEN EINSPRITZDUSE
18	12012006	GUARNIZIONE TEFLON 33x28x4 GRUPPO CTS 03	GASKET TEFLON 33x28x4 GROUP CTS 03	JOINT TEFLON 33x28x4 GROUPE CTS 03	TEFLON DICHTUNG 33x28x4 GRUPPE CTS 03
19	4825422008	DIFFUSORE GRUPPO CTS	GROUP DIFFUSER	DIFFUSEUR GROUPE	GRUPPE VERTEILER
20	12215	GUARN.GOMMA S.COPPA 72x56x8.5 MAGGIOR.	LARGER SIZED FILTER SUPPORT RUBBER	JOINT CAOUTCHOU C SOUCOUPE 72x56x8.5	FILTERHALTER-GUMMIDICH. 72x56x8.5 GROSS
20	12217	GUARN.GOMMA S.COPPA 72x56x8 NORMALE	STANDARD SIZE FILTER SUPPORT GASKET	JOINT CAOUTCHOU C SOUCOUPE 72x56x8 N	FILTERHALTER-GUMMIDICH.72x56x8 NORMAL
21	4825627	PORTADOCGETTA GRUPPO EROGAZIONE	WATER SPOUT UNIT SUPPORT	PORTE-DOUCHETTE GROUPE DISTRIBUTION	DUSCHTRAGER VERSORGUNGSEINHEIT
22	27100	DOCGETTA GRUPPO	GROUP SHOWER PLATE	DOUCHETTE GROUPE	DUSCHE VERTEILEREINHEIT
23	23260014	RONDELLA INOX 12x5	INOX WASHER 12X5	RONDELLE INOX 12x5	STAHL SCHEIBE 12x5
24	23514	VITE TPS INOX 5x20	5x20 S.STEEL FLATHEAD SCREW	VIS TPS INOX 5x20	SCHRAUBE TPS 5x20 SCHRAUBEN



## CTS-53

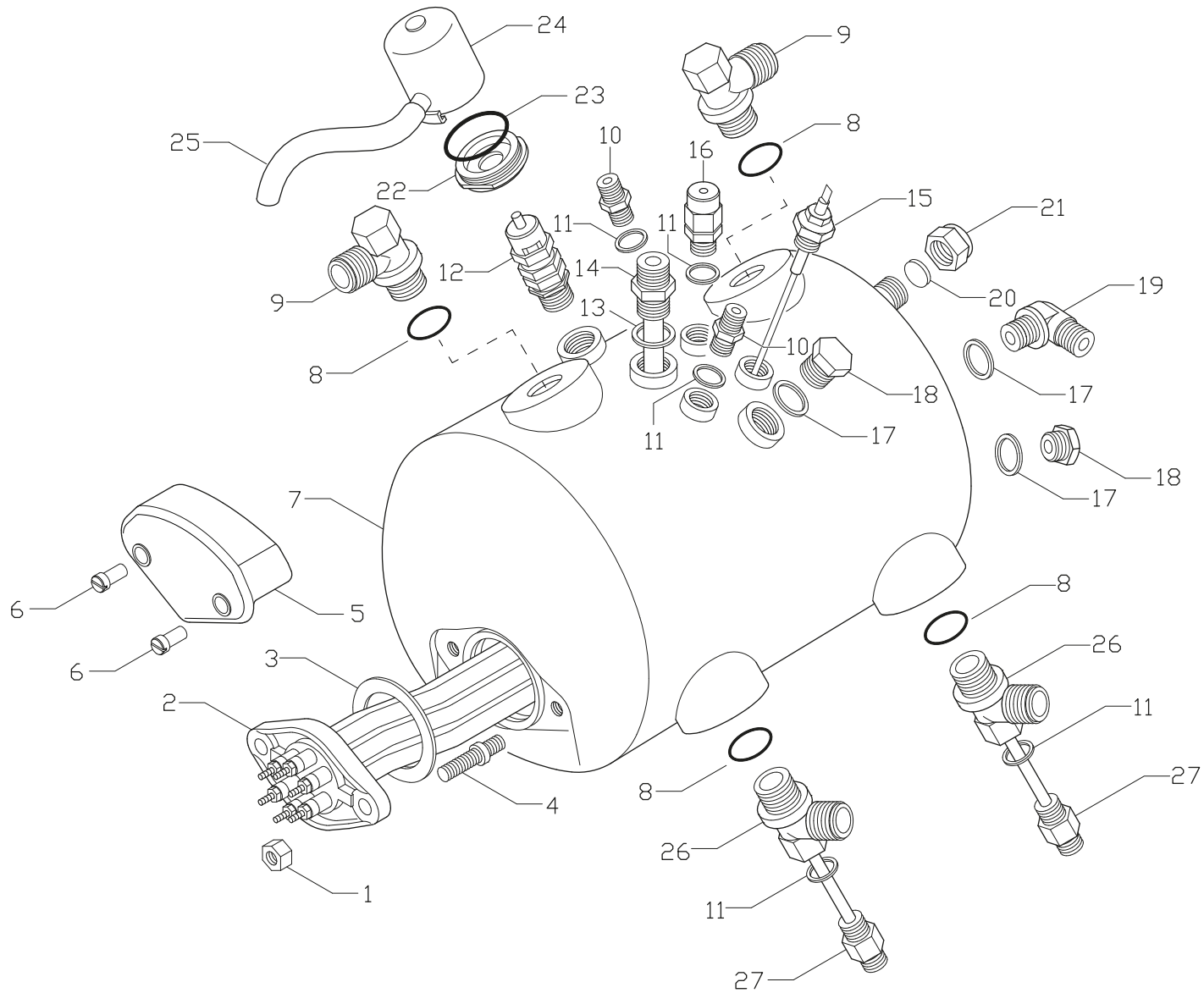
Pos	Code	Denominazione - IT -	Denomination - EN -	Denomination - FR -	Denomination - DE -
1	4856082121	GRUPPO CTS 2005 NEUTRO	GROUP CTS-53 2005	GROUPE CTS-53 2005	GRUPPE CTS-53 2005
2	834718181015R	KIT ELETTROVALVOLA GRUPPO 110-120V	KIT GROUP SOLENOID VALVE 110-120V	KIT ELECTROVANNE GROUPE 110-120V	KIT MAGNETVENTIL GRUPPE 110-120V
3	834918151R	KIT ELETTROVALVOLA GRUPPO 230V	GROUP SOLENOID VALVE 230V KIT	KIT ELECTROVANNE GROUPE 230V	MAGNETVENTIL GRUPPE KIT 230V
4	12305	GUARNIZIONE OR	O RING	JOINT OR	O-RINGDICHT
5	23551	VITE TCEI INOX 4x12	STEEL SCREW TCCE 4x12	VIS INOX TCCE 4x12	STAHLSCHRAUBE TCCE 4x12
6	52000168	TUBO D-12 L.92	TUBE D-12 L.92	TUYAU D-12 L.92	ROHR D-12 L.92
7	52000194	TUBO D-12 L.132	TUBE D-12 L.132	TUYAU D-12 L.132	ROHR D-12 L.132
8	4825789306	TAPPO PORTA GIGLEUR GRUPPO CTS 03	CAP GROUP JET	BOUCHON GIGLEUR	STOPFEN EINSPRITZDUSE FUER GRUPPE
9	12336000	GUARNIZIONE ORM 0170-30 NBR Di17x3	GASKET ORM 0170-30 HNBR 70Sh	JOINT ORM 0170-30 HNBR 70Sh	DICHTUNG ORM 0170-30 HNBR 70Sh
10	10253	FILTRO GIGLER	JET FILTER	FILTRE GICLEUR	DUSE FILTER
11	4810300B	GIGLER OTT. x GRUPPO D 1.0	BRASS JET x GROUP D 1.0	GICLEUR LAITON x GROUPE D 1.0	VERMESSINGTE DUSE x GRUPPE D 1.0
12	4825739502	PORTAGIGLER GRUPPO CTS 03	NOZZLE HOLDER GROUP CTS 03	PORTE-GICLEUR GROUPE CTS 03	DUSEHALTER GRUPPE CTS 03
13	12300026	GUARNIZIONE OR	O RING GASKET	JOINT OR	OR DICHTUNG
14	12336001	GUARNIZIONE NBR Di25x4	GASKET NBR Di 25x4	JOINT NBR Di 25x4	DICHTUNG NBR Di 25x4
15	4856130001	ASSIEME PORTAGIGLER GRUPPO CTS 03	NOZZLE HOLDER GROUP CTS 03	PORTE-GICLEUR GROUPE CTS 03	DUSEHALTER GRUPPE CTS 03R
16	4825789301	TAPPO CAMERA PREINFUSIONE	CAP GROUP	BOUCHON GROUPE	STOPFEN ABGABEGRUPPE
17	12303	GUARNIZIONE OR	O RING GASKET	JOINT OR	OR DICHTUNG
18	4825687002	RACCORDO 3/8x3/8 GAS GRP CTS 03	CONNECTOR 3/8x3/8 CTS 03 UNIT	RACCORD 3/8x3/8 GR. CTS 03	ANSCHLUSS 3/8x3/8 CTS 03
19	4825422008	DIFFUSORE GRUPPO CTS	GROUP DIFFUSER	DIFFUSEUR GROUPE	GRUPPE VERTEILER
20	12217001	GUARN.GOMMA S.COPPA 63,2x52x6,5	SIZE FILTER SUPPORT RUBBER 63,2x52x6,5	JOINT CAOUTCHOU SOUCOUPE 63,2x52x6,5	FILTERHALTER-GUMMIDICHTUNG 63,2x52x6,5
20	12217002	GUARN.GOMMA S.COPPA 63,2x52x7	SIZE FILTER SUPPORT RUBBER 63,2x52x7	JOINT CAOUTCHOU SOUCOUPE 63,2x52x7	FILTERHALTER-GUMMIDICHTUNG 63,2x52x7
21	4825627004	PORTADOCCHETTA GRUPPO CTS 05	WATER SPOUT UNIT SUPPORT	PORTE-DOUCHETTE GROUPE DISTRIBUTION	DUSCHTRAGER VERSORGUNGSEINHEIT
21	4825627005	PORTADOCCHETTA GRUPPO CTS 05 H 9.5	WATER SPOUT UNIT SUPPORT	PORTE-DOUCHETTE GROUPE DISTRIBUTION	DUSCHTRAGER VERSORGUNGSEINHEIT
22	27100001	DOCCHETTA GRUPPO CTS 05 D.48	GROUP SHOWER PLATE D.48	DOUCHETTE GROUPE D.48	DUSCHE VERTEILEREINHEIT D.48
23	23409004	VITE TE+TC INOX 5x20	5x20 STAINLESS STEEL SCREW	VIS INOX 5X20	STAHLSCHRAUBE 5X20





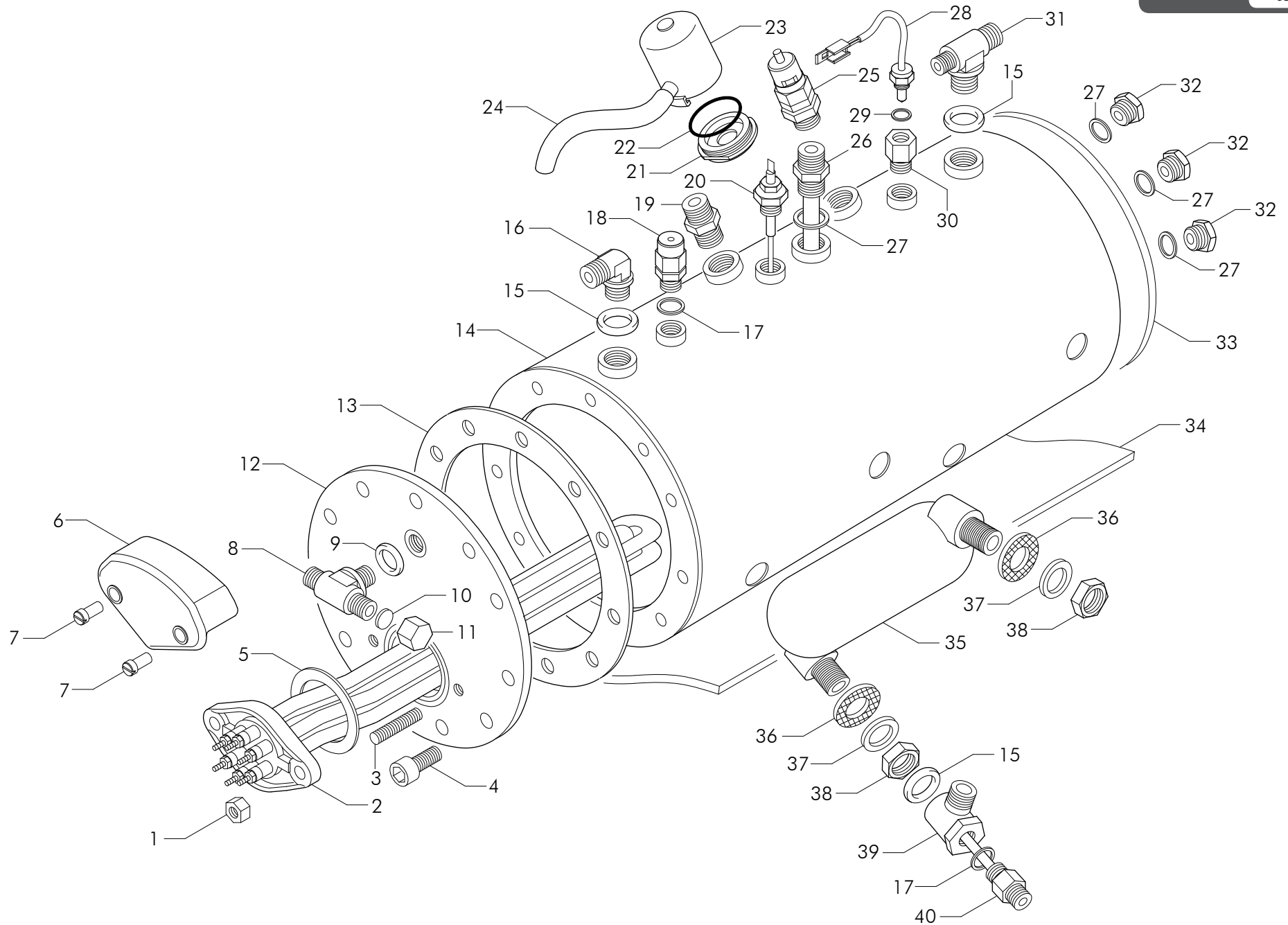
## 1GR

Pos	Cod.	Denominazione - IT -	Denomination - GB -	Denomination - FR -	Denomination - DE -
1	23049	DADO OTTONE M8	BRASS NUT M8	ECROU LAITON M8	MESSING-SCHRAUBENMUTTER M8
2	4617012	RESISTENZA 1GR 6P 230/240V 2700/2940W	HEATING ELEM. 1GR 230/240V 2700/2940W	RESISTANCE 1GR 230/240V 2700/2940W	HEIZKORPER 1GR 230/240V 2700/2940W
3	12001	GUARNIZIONE TEFLON 58x43x2	TEFLON GASKET 58x43x2	JOINT TEFLON 58x43x2	TEFLON DICHTUNG 58x23x2
4	23133	PRIGIONIERO INOX 8x40	STAINLESS STEEL BOLT 8x40	VIS INOX 8x40	STAHLSCHRAUBE 8x40 8x40
5	23556	VITE TCEI INOX 10x20	STEEL SCREW TCCE 10X20	VIS INOX TCCE 10X20	STAHLSCHRAUBE TCCE 10x20
6	15514111	PROTEZIONE RESISTENZA	HEATING ELEMENT COVER	COUVRE-RESISTENCE	HEIZKORPERDECKEL
7	15514113	BOCCOLA BLOCCAGGIO PROTEZIONE	BUSHING	BAGUE	BUSHING
8	4943060	RACCORDO -T- 1/4x1/4x1/4 CW510L	'T' CONNECTOR 1/4x1/4x1/4 CW510L	RACCORD 'T' 1/4x1/4x1/4 CW510L	T' -ANSCHLUSS 1/4X1/4X1/4 CW510L
9	12100	GUARNIZIONE CU/ALIM 1/4 18.7x13.2x2.5	CU GASKET 1/4 18.7X13.2X2.5	JOINT CU 1/4 18.7X13.2X2.5	CU DICHTUNG 1/4 18.7x13.2x2.5
10	12007	GUARNIZIONE KLINGERSIL4400	KLINGERSIL4400 SEAL	JOINT KLINGERSIL4400	DICHTUNG KLINGER SIL4400
11	25782	TAPPO FEMMINA 1/4 GAS	1/4 GAS FEMALE TAP	BOUCHON FEMELLE 1/4 GAZ	INNENANSCHLUSSSTOPSEL 1/4 GAS
12	4853011	FLANGIA	FLANGE	BRIDE	FLANSCH
13	12003	GUARNIZIONE CALDAIA	BOILER GASKET	JOINT CHAUDIERE	KESSELDICHTUNG
14	4662020007	CALDAIA 1GR CTS	1GR CTS BOILER	CHAUDIERE 1GR CTS	KESSEL 1GR CTS
15	4820251	SONDA LIVELLO L.125	LEVEL PROBE L.125	JAUG L.125	PEGELFUHLER L.125
16	4620352002	VALVOLA DI SICUREZZA *CE*	*CE* SAFETY VALVE	SOUPAPE DE SECURITE *CE*	SICHERHEITSENTIL *CE*
17	15006001	FLANGIA VALVOLA SICUREZZA	FLANGE VALVE	JOINT VANNE	FLANSCH VENTIL
18	12300000	GUARNIZIONE OR	GASKET O RING	JOINT OR	OR DICHTUNG
19	56009980	ASSIEME PROTEZIONE VALVOLE SICUREZZA	UNIT PROTECTION VALVE	ENSEMBLE PROTECTION VANNE	SATZ-SCHUTZGITTER VENTIL
20	15478002	TUBO SILICONE 8x11 L.70cm	SILICONE TUBE 8x11 L.70cm	TUYAU SILICONE 8x11 L.70cm	SILIKONROHR 8x11 L.70cm
21	12101	GUARNIZIONE RAME 3/8 22x17x3	GASKET COPPER 3/8 22x17x3	JOINT CUIVRE 3/8 22x17x3	KUPFERDICHTUNG 3/8 22x17x3
22	4952001612	TUBO D-10 L.115	TUBE D-10 L.115	TUYAU D-10 L.115	ROHR D-10 L.115
23	12154	GUARNIZIONE CU 3/8 22x17x1.5	GASKET COPPER 3/8 22x17x1,5	JOINT CUIVRE 3/8 22x17x1.5	KUPFERDICHTUNG 3/8 22x17x1.5
24	4925785	TAPPO MASCHIO 3/8	MALE CAP 3/8	BOUCHON MALE 3/8	STOPFEN 3/8
25	12153003	GUARNIZIONE RAME 1/4 Sp.2	GASKET 1/4 Sp.2 COPPER	JOINT CUIVRE 1/4 Sp.2	KUPFERDICHTUNG 1/4 Sp.2
26	4856150100	VALVOLA ANTIRISUCCHIO V.A.R.	ANTI-EDDY VALVE V.A.R.	SOUPAPE ANTI-DEPRESSION V.A.R.	VENTIL UNTERDRUCKFREI V.A.R.
27	4943034	RACCORDO -L- 3/8x1/4 CW5101L TUBO H20/VAP.	ELBOW CONNEC.3/8x1/4xH20/STEAM PIPE	RACCORD A COUDE 3/8x1/4 TUYAU H20	KNIEANSCHLUSSTUCK 3/8x1/4 FUR H20/D
28	4943052	RACCORDO "L" 3/8	CONNECTOR 'L' 3/8	RACCORD 'L' 3/8	ANSCHLUSS 'L' 3/8
29	4663200004	SCAMBIATORE CTS D80 ECO	EXCHANGER WITH THERMOS.CIRCULATI D-80	ECHANG.CIRCUL.A THERMOSIPHON D-80	AUISTAUSCHER MIT ROHREN D-80
30	12005	GUARNIZIONE 28x18.3x2	GASKET 28X17X2	JOINT 28X17X2	DICHTUNG 28x17x2
31	25651	RONDELLA OTTONE 3/8	BRASS WASHER 3/8	RONDELLE LAITON 3/8	MESSINGSCHIEBE 3/8
32	25356	CONTRODADO OTTONE 3/8	BRASS LOCK NUT 3/8	CONTRE-ECROU LAITON 3/8	MESSING-GEGENMUTTER 3/8
33	4943030001	RACCORDO INIETTORE 3/8Fx3/8Mx14F	3/8Fx3/8Mx14F INJECTOR FITTING	RACC. INJECTEUR 3/8Fx3/8Mx14F	ANSCHLUSS EINSPRITZER 3/8Fx3/8Mx14F
34	4952002788	TUBO D-6 L.85	TUBE D-6 L85	TUYAU D-6 L.85	ROHR D-6 L.85



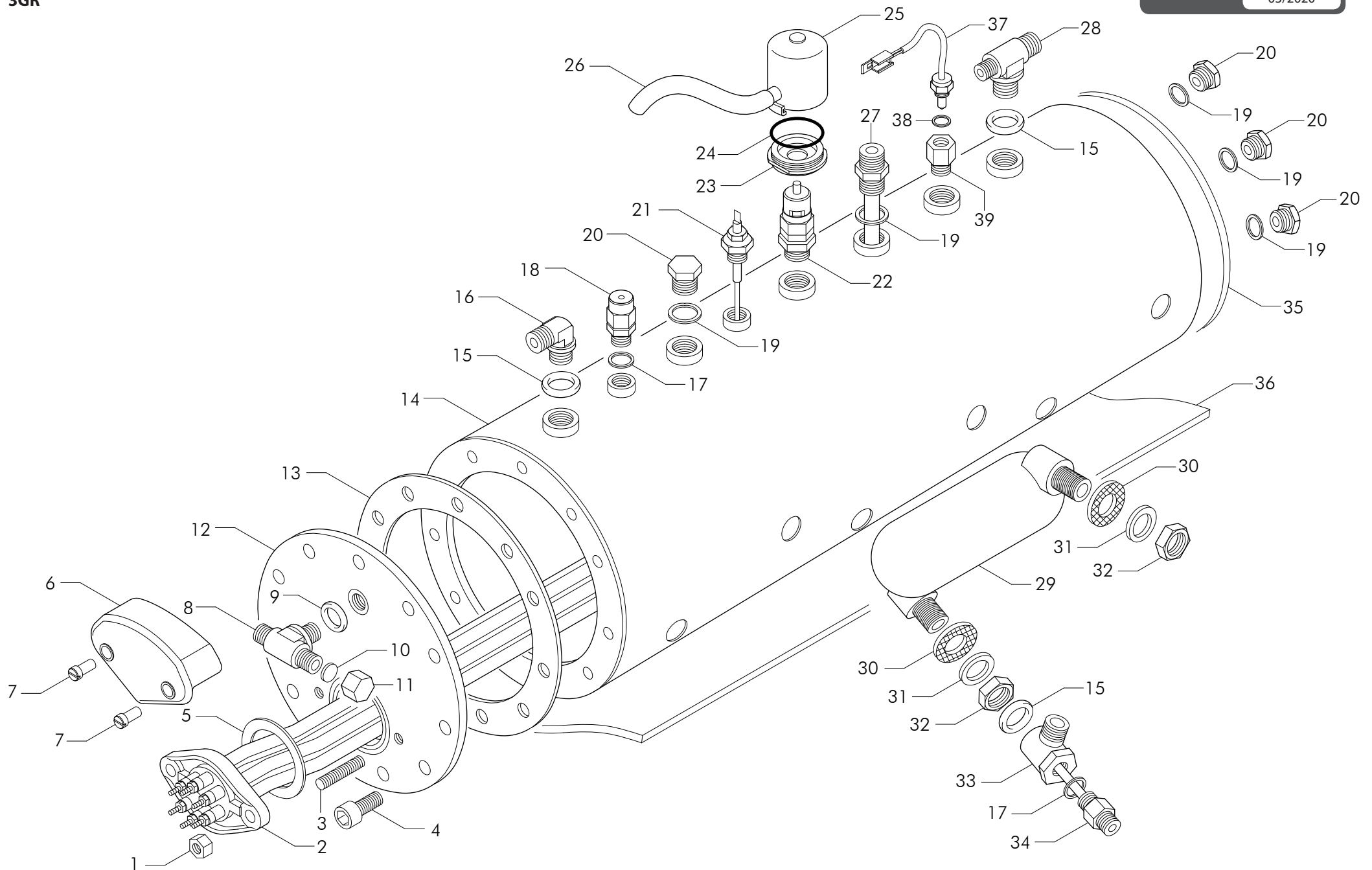
## COMPATTA

Pos	Cod.	Denominazione - IT -	Denomination - GB -	Denomination - FR -	Denomination - DE -
1	23049	DADO OTTONE M8	BRASS NUT M8	ECROU LAITON M8	MESSING-SCHRAUBENMUTTER M8
2	4617012	RESISTENZA 1GR 6P 230/240V 2700/2940W	HEATING ELEM. 1GR 230/240V 2700/2940W	RESISTANCE 1GR 230/240V 2700/2940W	HEIZKORPER 1GR 230/240V 2700/2940W
3	12001	GUARNIZIONE TEFLON 58x43x2	TEFLON GASKET 58x43x2	JOINT TEFLON 58x43x2	TEFLON DICHTUNG 58x23x2
4	23132001	PRIGIONIERO INOX M8	M8 STAINLESS STEEL BOTTOM STUD	PRISONNIER INOX M8	STIFTSCHRAUBE EDELSTAHL M8
5	15514112	PROTEZIONE RESISTENZA	HEATING ELEMENT COVER	COUVRE-RESISTENCE	HEIZKORPERDECKEL
6	15514113	BOCCOLA BLOCCAGGIO PROTEZIONE	BUSHING	BAGUE	BUSHING
7	4662099003	CALDAIA 2GR 7 LITRI SC.PASS.D-60	2GR 7-LITRE BOILER	CHAUDIERE 2GR 7 LITRES	KESSEL 2 EINHEITEN 7 LITER
8	12105	GUARNIZIONE CU/ALIM 1/2 GAS	CU GASKET 1/2 GAS	JOINT CU 1/2 GAZ	CU DICHTUNG 1/2 GAS
9	4923214001	RACCORDO ORIENTABILE -L- 1/2	ROTARY COUPLING	RACCORD ROTATIF	ROTARY KUPPLUNG
10	4925686	RACCORDO 1/4Mx1/4M	CONNECTOR 1/4Mx1/4M	RACCORD 1/4Mx1/4M	ANSCHLUSS 1/4Mx1/4M
11	12153003	GUARNIZIONE RAME 1/4 Sp.2	GASKET 1/4 Sp.2 COPPER	JOINT CUIVRE 1/4 Sp.2	KUPFERDICHTUNG 1/4 Sp.2
12	4620352002	VALVOLA DI SICUREZZA *CE*	*CE* SAFETY VALVE	SOUPAPE DE SECURITE *CE*	SICHERHEITSVENTIL *CE*
13	12154001	GUARNIZIONE CU 3/8 22x17x2	GASKET COPPER 3/8 22x17x2	JOINT CUIVRE 3/8 22x17x2	KUPFERDICHTUNG 3/8 22x17x2
14	4952001612	TUBO D-10 L.115	TUBE D-10 L.115	TUYAU D-10 L.115	ROHR D-10 L.115
15	4920251	SONDA LIVELLO L.125	LEVEL PROBE L.125	JAUG L.125	PEGELFUHLER L.125
16	4856150100	VALVOLA ANTIRISUCCHIO V.A.R.	ANTI-EDDY VALVE V.A.R.	SOUPAPE ANTI-DEPRESSION V.A.R.	VENTIL UNTERDRUCKFREI V.A.R.
17	12154	GUARNIZIONE CU 3/8 22x17x1.5	GASKET COPPER 3/8 22x17x1,5	JOINT CUIVRE 3/8 22x17x1.5	KUPFERDICHTUNG 3/8 22x17x1.5
18	4925785	TAPPO MASCHIO 3/8	MALE CAP 3/8	BOUCHON MALE 3/8	STOPFEN 3/8
19	4943070	RACC.-L- 3/8F GAS CONICO x 3/8M GAS	CONNECTOR L 3/8 GAS x 3/8 GAS D6.2	RACCORD L 3/8 GAZ x 3/8 GAZ D6.2	FITTING L 3/8 GAS x 3/8 GAS D6.2
20	12402	GUARNIZIONE PASTICCA 15x3	GASKET 15x3	JOINT 15x3	DICHTUNG 15x3
21	25781	TAPPO FEMMINA 3/8	FEMALE CAP 3/8	BOUCHON FEMELLE 3/8	STOPFEN 3/8
22	15006001	FLANGIA VALVOLA SICUREZZA	FLANGE VALVE	JOINT VANNE	FLANSCH VENTIL
23	12300000	GUARNIZIONE OR	GASKET O RING	JOINT OR	OR DICHTUNG
24	56009980	ASSIEME PROTEZIONE VALVOLE SICUREZZA	UNIT PROTECTION VALVE	ENSEMBLE PROTECTION VANNE	SATZ-SCHUTZGITTER VENTIL
25	15478002	TUBO SILICONE 8x11 L.70cm	SILICONE TUBE 8x11 L.70cm	TUYAU SILICONE 8x11 L.70cm	SILIKONROHR 8x11 L.70cm
26	4923215001	RACCORDO ORIENTABILE -T- 1/2	ROTARY COUPLING	RACCORD ROTATIF	ROTARY KUPPLUNG
27	4952002788	TUBO D-6 L.85	TUBE D-6 L85	TUYAU D-6 L.85	ROHR D-6 L.85



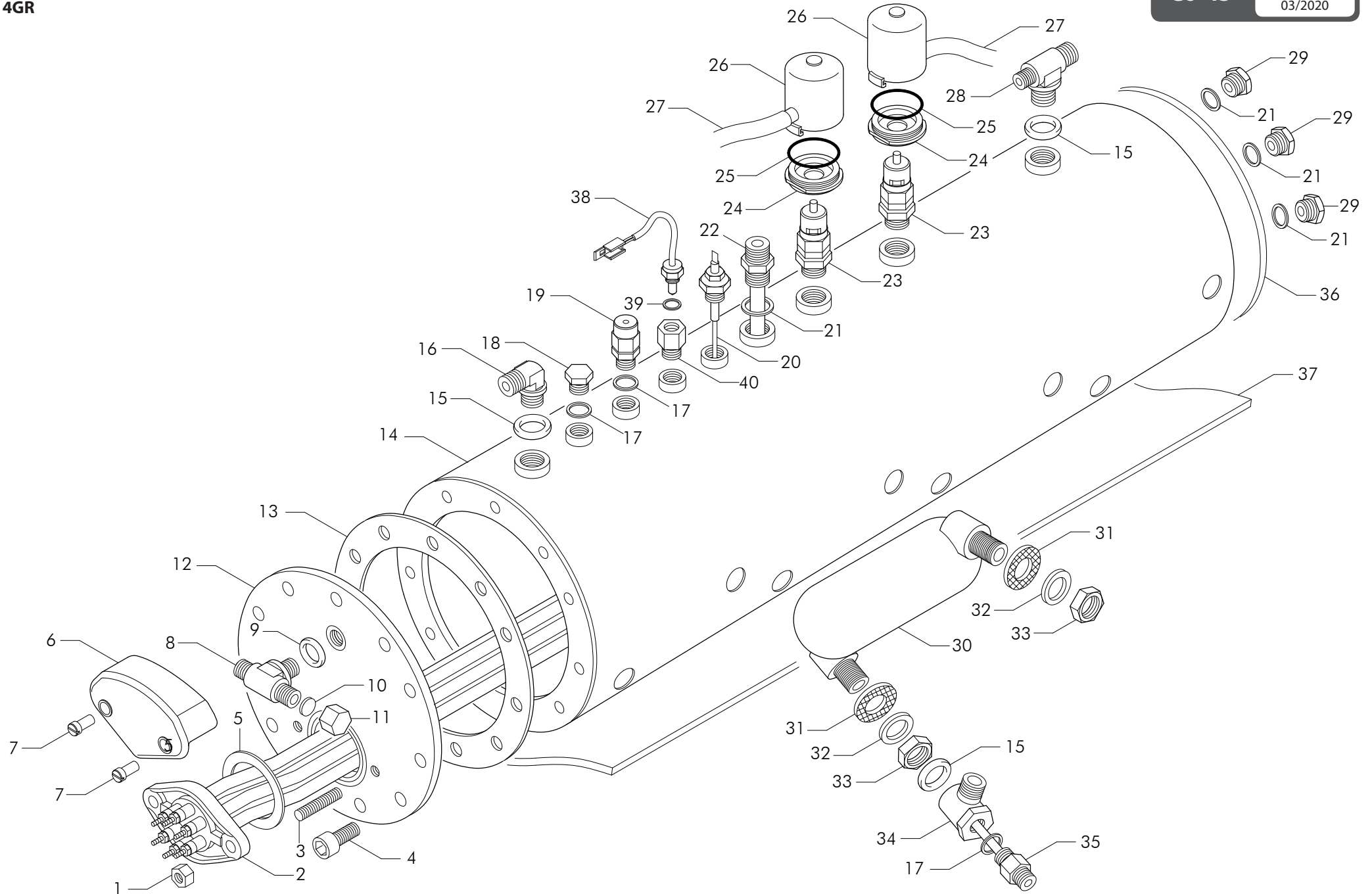
## 2GR

Pos	Cod.	Denominazione - IT -	Denomination - GB -	Denomination - FR -	Denomination - DE -
1	23049	DADO OTTONE M8	BRASS NUT M8	ECROU LAITON M8	MESSING-SCHRAUBENMUTTER M8
2	4617059	RESISTENZA 2GR 6P 230/240V 3400/3700W	HEATING ELEM. 2GR 220/240V 3400/3700W	RESISTANCE 2GR 220/240V 3400/3700W	HEIZKORPER 2GR 220/240V 3400/3700W
3	23133	PRIGIONIERO INOX 8x40	STAINLESS STEEL BOLT 8x40	VIS INOX 8x40	STAHLSCHRAUBE 8x40 8x40
4	23556	VITE TCEI INOX 10x20	STEEL SCREW TCCE 10X20	VIS INOX TCCE 10X20	STAHLSCHRAUBE TCCE 10x20
5	12001	GUARNIZIONE TEFLON 58x43x2	TEFLON GASKET 58x43x2	JOINT TEFLON 58x43x2	TEFLON DICHTUNG 58x23x2
6	15514111	PROTEZIONE RESISTENZA	HEATING ELEMENT COVER	COUVRE-RESISTENCE	HEIZKORPERDECKEL
7	15514113	BOCCOLA BLOCCAGGIO PROTEZIONE	BUSHING	BAGUE	BUSHING
8	4943060	RACCORDO -T- 1/4x1/4x1/4 CW510L	'T' CONNECTOR 1/4x1/4x1/4 CW510L	RACCORD 'T' 1/4x1/4x1/4 CW510L	T' -ANSCHLUSS 1/4X1/4X1/4 CW510L
9	12100	GUARNIZIONE CU/ALIM 1/4 18.7x13.2x2.5	CU GASKET 1/4 18.7X13.2X2.5	JOINT CU 1/4 18.7X13.2X2.5	CU DICHTUNG 1/4 18.7x13.2x2.5
10	12007	GUARNIZIONE KLINGERSIL4400	KLINGERSIL4400 SEAL	JOINT KLINGERSIL4400	DICHTUNG KLINGER SIL4400
11	25782	TAPPO FEMMINA 1/4 GAS	1/4 GAS FEMALE TAP	BOUCHON FEMELLE 1/4 GAZ	INNENANSCHLUSSSTOPSEL 1/4 GAS
12	4853011	FLANGIA	FLANGE	BRIDE	FLANSCH
13	12003	GUARNIZIONE CALDAIA	BOILER GASKET	JOINT CHAUDIERE	KESSELDICHTUNG
14	4662143004	CALDAIA 2GR CTS AEA	BOILER 2GR CTS	CHAUDIERE 2GR CTS	KESSEL 2GR CTS
15	12101	GUARNIZIONE RAME 3/8 22x17x3	GASKET COPPER 3/8 22x17x3	JOINT CUIVRE 3/8 22x17x3	KUPFERDICHTUNG 3/8 22x17x3
16	4943052	RACCORDO "L" 3/8	CONNECTOR 'L' 3/8	RACCORD 'L' 3/8	ANSCHLUSS 'L' 3/8
17	12153003	GUARNIZIONE RAME 1/4 Sp.2	GASKET 1/4 Sp.2 COPPER	JOINT CUIVRE 1/4 Sp.2	KUPFERDICHTUNG 1/4 Sp.2
18	4856150100	VALVOLA ANTIRISUCCHIO V.A.R.	ANTI-EDDY VALVE V.A.R.	SOUPAPE ANTI-DEPRESSION V.A.R.	VENTIL UNTERDRUCKFREI V.A.R.
19	4925687	RACCORDO 3/8x3/8	3/8x3/8 FITTING	RACCORD 3/8x3/8	ANSCHLUSS 3/8x3/8
20	4820251	SONDA LIVELLO L.125	LEVEL PROBE L.125	JAUG L.125	PEGELFUHLER L.125
21	15006001	FLANGIA VALVOLA SICUREZZA	FLANGE VALVE	JOINT VANNE	FLANSCH VENTIL
22	12300000	GUARNIZIONE OR	GASKET O RING	JOINT OR	OR DICHTUNG
23	56009980	ASSIEME PROTEZIONE VALVOLE SICUREZZA	UNIT PROTECTION VALVE	ENSEMBLE PROTECTION VANNE	SATZ-SCHUTZGITTER VENTIL
24	15478002	TUBO SILICONE 8x11 L.70cm	SILICONE TUBE 8x11 L.70cm	TUYAU SILICONE 8x11 L.70cm	SILIKONROHR 8x11 L.70cm
25	4620352002	VALVOLA DI SICUREZZA *CE*	*CE* SAFETY VALVE	SOUPAPE DE SECURITE *CE*	SICHERHEITSVENTIL *CE*
26	4952001612	TUBO D-10 L.115	TUBE D-10 L.115	TUYAU D-10 L.115	ROHR D-10 L.115
27	12154	GUARNIZIONE CU 3/8 22x17x1.5	GASKET COPPER 3/8 22x17x1.5	JOINT CUIVRE 3/8 22x17x1.5	KUPFERDICHTUNG 3/8 22x17x1.5
28	20306006	SONDA NTC CON SENSORE IN VETRO	NTC PROBE WITH GLASS SENSOR	SONDE NTC AVEC CAPTEUR EN VERRE	NTC SONDE
29	12151	GUARNIZIONE RAME 1/8 13x10.2x1.5	COPPER GASKET	JOINT CUIVRE	KUPFERDICHTUNG
30	4625749001	RIDUZIONE 3/8M GAS - 1/8F GAS	CONNECTOR 3/8M - 1/8F	RACCORD 3/8M - 1/8F	FITTING 3/8M - 1/8F
31	4943033	RACCORDO "T" 3/8x3/8x1/4	3/8x3/8x1/4 T FITTING	RACCORD "T" 3/8x3/8x1/4	ANSCHLUSS 3/8x3/8x1/4 T
32	4925785	TAPPO MASCHIO 3/8	MALE CAP 3/8	BOUCHON MALE 3/8	STOPFEN 3/8
33	15183044	ISOLANTE TERMICO FONDELLO	BOTTOM BOILER ISOLATING	ISOLANTE FOND CHAUDIERE	VERSCHLUSS WASCHTRICHTER BODEN KESSEL
34	15183045	ISOLANTE TERMICO CALDAIA 2GR	BOILER ISOLATING 2GR	ISOLANTE CHAUDIERE 2GR	VERSCHLUSS WASCHTRICHTER KESSEL 2GR
35	4663200004	SCAMBIATORE CTS D80 ECO	EXCHANGER WITH THERMOS.CIRCULATI D-80	ECHANG.CIRCUL.A THERMOSIPHON D-80	AUSTAUSCHER MIT ROHREN D-80
36	12005	GUARNIZIONE 28x18.3x2	GASKET 28X17X2	JOINT 28X17X2	DICHTUNG 28x17x2
37	25651	RONDELLA OTTONE 3/8	BRASS WASHER 3/8	RONDELLE LAITON 3/8	MESSINGSCHIBE 3/8
38	25356	CONTRODADO OTTONE 3/8	BRASS LOCK NUT 3/8	CONTRE-ECROU LAITON 3/8	MESSING-GEGENMUTTER 3/8
39	4943030001	RACCORDO INIETTORE 3/8Fx3/8Mx14F	3/8Fx3/8Mx14F INJECTOR FITTING	RACC. INJECTEUR 3/8Fx3/8Mx14F	ANSCHLUSS EINSPRITZER 3/8Fx3/8Mx14F
40	4952002788	TUBO D-6 L.85	TUBE D-6 L85	TUYAU D-6 L.85	ROHR D-6 L.85



## 3GR

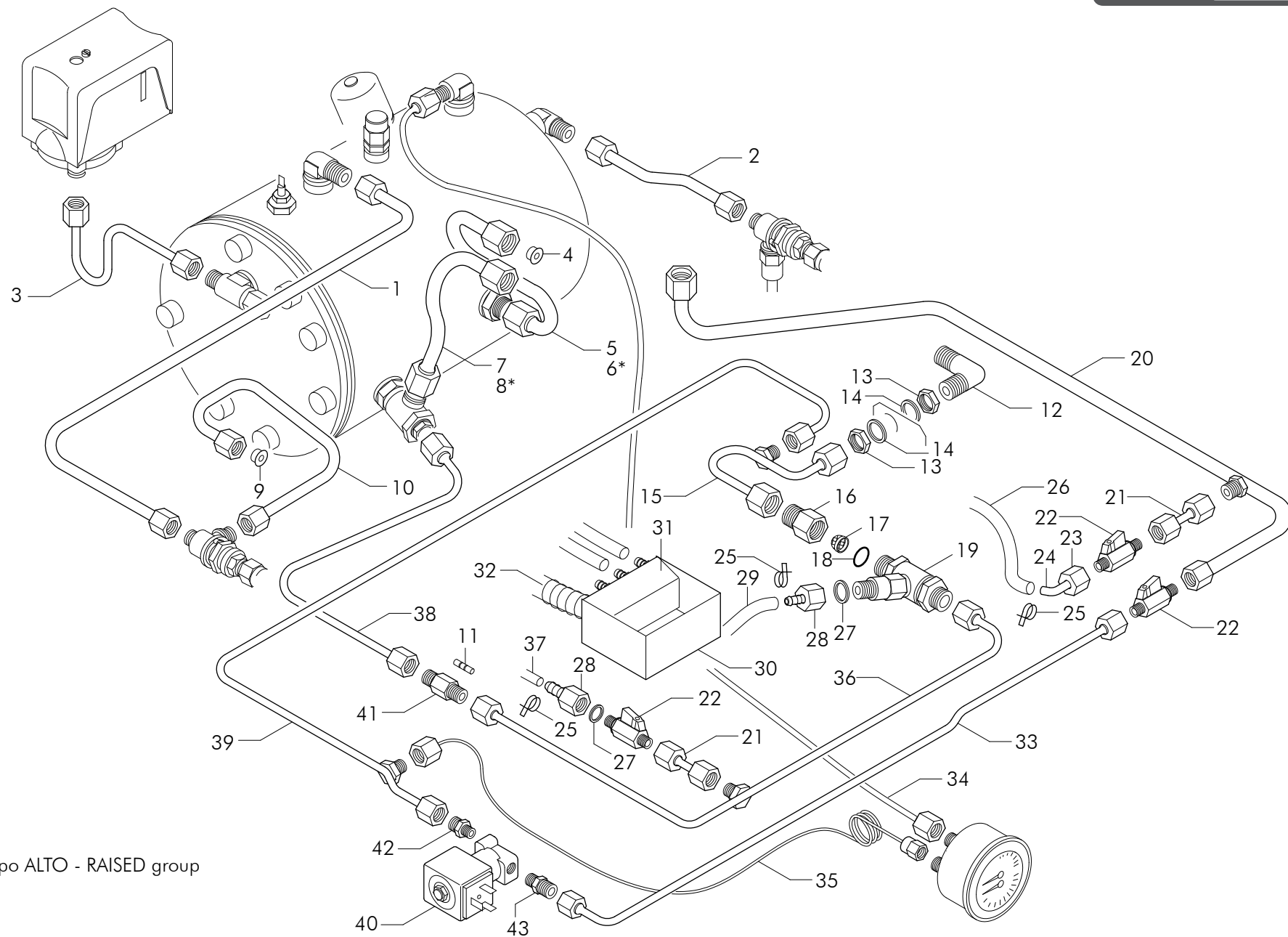
Pos	Cod.	Denominazione - IT -	Denomination - GB -	Denomination - FR -	Denomination - DE -
1	23049	DADO OTTONE M8	BRASS NUT M8	ECROU LAITON M8	MESSING-SCHRAUBENMUTTER M8
2	4617107	RESISTENZA 3GR 6P 230/240V 5000/5440W	HEATING ELEM. 3GR 220/240V 5000/5440	RESISTANCE 3GR 220/240V 5000/5440W	HEIZKORPER 3GR 220/240V 5000/5440W
3	23133	PRIGIONIERO INOX 8x40	STAINLESS STEEL BOLT 8x40	VIS INOX 8x40	STAHLSCHRAUBE 8x40 8x40
4	23556	VITE TCEI INOX 10x20	STEEL SCREW TCCE 10X20	VIS INOX TCCE 10X20	STAHLSCHRAUBE TCCE 10x20
5	12001	GUARNIZIONE TEFLON 58x43x2	TEFLON GASKET 58x43x2	JOINT TEFLON 58x43x2	TEFLON DICHTUNG 58x23x2
6	15514111	PROTEZIONE RESISTENZA	HEATING ELEMENT COVER	COUVRE-RESISTENCE	HEIZKORPERDECKEL
7	15514113	BOCCOLA BLOCCAGGIO PROTEZIONE	BUSHING	BAGUE	BUSHING
8	4943060	RACCORDO -T- 1/4x1/4x1/4 CW510L	'T' CONNECTOR 1/4x1/4x1/4 CW510L	RACCORD 'T' 1/4x1/4x1/4 CW510L	T' -ANSCHLUSS 1/4X1/4X1/4 CW510L
9	12100	GUARNIZIONE CU/ALIM 1/4 18.7x13.2x2.5	CU GASKET 1/4 18.7X13.2X2.5	JOINT CU 1/4 18.7X13.2X2.5	CU DICHTUNG 1/4 18.7x13.2x2.5
10	12007	GUARNIZIONE KLINGERSIL4400	KLINGERSIL4400 SEAL	JOINT KLINGERSIL4400	DICHTUNG KLINGER SIL4400
11	25782	TAPPO FEMMINA 1/4 GAS	1/4 GAS FEMALE TAP	BOUCHON FEMELLE 1/4 GAZ	INNENANSCHLUSSSTOPSEL 1/4 GAS
12	4853011	FLANGIA	FLANGE	BRIDE	FLANSCH
13	12003	GUARNIZIONE CALDAIA	BOILER GASKET	JOINT CHAUDIERE	KESSELDICHTUNG
14	4662250005	CALDAIA 3GR CTS CW510L	3GR CTS BOILER	CHAUDIERE 3GR CTS	KESSEL 3GR CTS
15	12101	GUARNIZIONE RAME 3/8 22x17x3	GASKET COPPER 3/8 22x17x3	JOINT CUIVRE 3/8 22x17x3	KUPFERDICHTUNG 3/8 22x17x3
16	4943052	RACCORDO "L" 3/8	CONNECTOR 'L' 3/8	RACCORD 'L' 3/8	ANSCHLUSS 'L' 3/8
17	12153003	GUARNIZIONE RAME 1/4 Sp.2	GASKET 1/4 Sp.2 COPPER	JOINT CUIVRE 1/4 Sp.2	KUPFERDICHTUNG 1/4 Sp.2
18	4856150100	VALVOLA ANTIRISUCCHIO V.A.R.	ANTI-EDDY VALVE V.A.R.	SOUPAPE ANTI-DEPRESSION V.A.R.	VENTIL UNTERDRUCKFREI V.A.R.
19	12154	GUARNIZIONE CU 3/8 22x17x1.5	GASKET COPPER 3/8 22x17x1,5	JOINT CUIVRE 3/8 22x17x1.5	KUPFERDICHTUNG 3/8 22x17x1.5
20	4925785	TAPPO MASCHIO 3/8	MALE CAP 3/8	BOUCHON MALE 3/8	STOPFEN 3/8
21	4820251	SONDA LIVELLO L.125	LEVEL PROBE L.125	JAUG L.125	PEGELFUHLER L.125
22	4620352002	VALVOLA DI SICUREZZA *CE*	*CE* SAFETY VALVE	SOUPAPE DE SECURITE *CE*	SICHERHEITSVENTIL *CE*
23	15006001	FLANGIA VALVOLA SICUREZZA	FLANGE VALVE	JOINT VANNE	FLANSCH VENTIL
24	12300000	GUARNIZIONE OR	GASKET O RING	JOINT OR	OR DICHTUNG
25	56009980	ASSIEME PROTEZIONE VALVOLE SICUREZZA	UNIT PROTECTION VALVE	ENSEMBLE PROTECTION VANNE	SATZ-SCHUTZGITTER VENTIL
26	15478002	TUBO SILICONE 8x11 L.70cm	SILICONE TUBE 8x11 L.70cm	TUYAU SILICONE 8x11 L.70cm	SILIKONROHR 8x11 L.70cm
27	4952001612	TUBO D-10 L.115	TUBE D-10 L.115	TUYAU D-10 L.115	ROHR D-10 L.115
28	4943033	RACCORDO "T" 3/8x3/8x1/4	3/8x3/8x1/4 T FITTING	RACCORD "T" 3/8x3/8x1/4	ANSCHLUSS 3/8x3/8x1/4 T
29	4663200004	SCAMBIATORE CTS D80 ECO	EXCHANGER WITH THERMOS.CIRCULATI D-80	ECHANG.CIRCUL.A THERMOSIPHON D-80	AUSTAUSCHER MIT ROHREN D-80
30	12005	GUARNIZIONE 28x18.3x2	GASKET 28X17X2	JOINT 28X17X2	DICHTUNG 28x17x2
31	25651	RONDELLA OTTONE 3/8	BRASS WASHER 3/8	RONDELLE LAITON 3/8	MESSINGSCHIEBE 3/8
32	25356	CONTRODADO OTTONE 3/8	BRASS LOCK NUT 3/8	CONTRE-ECROU LAITON 3/8	MESSING-GEGENMUTTER 3/8
33	4943030001	RACCORDO INIETTORE 3/8Fx3/8Mx14F	3/8Fx3/8Mx14F INJECTOR FITTING	RACC. INJECTEUR 3/8Fx3/8Mx14F	ANSCHLUSS EINSPRITZER 3/8Fx3/8Mx14F
34	4952002788	TUBO D-6 L.85	TUBE D-6 L85	TUYAU D-6 L.85	ROHR D-6 L.85
35	15183044	ISOLANTE TERMICO FONDELLO	BOTTOM BOILER ISOLATING	ISOLANTE FOND CHAUDIERE	VERSCHLUSS WASCHTRICHTER BODEN KESSEL
36	15183046	ISOLANTE TERMICO CALDAIA 3GR	BOILER ISOLATING 3GR	ISOLANTE CHAUDIERE 3GR	VERSCHLUSS WASCHTRICHTER KESSEL 3GR





## 4GR

Pos	Cod.	Denominazione - IT -	Denomination - GB -	Denomination - FR -	Denomination - DE -
1	23049	DADO OTTONE M8	BRASS NUT M8	ECROU LAITON M8	MESSING-SCHRAUBENMUTTER M8
2	4617153	RESISTENZA 4GR 6P 230/240V 6000/6530W	HEATING EL. 4GR 220/240V 6530W 6P	RESISTANCE 4GR 220/240V 6530W 6P	HEIZKORPER 4GR 220/240V 6530W 6P
4	23133	PRIGIONIERO INOX 8x40	STAINLESS STEEL BOLT 8x40	VIS INOX 8x40	STAHLSCHRAUBE 8x40 8x40
4	23556	VITE TCEI INOX 10x20	STEEL SCREW TCCE 10X20	VIS INOX TCCE 10X20	STAHLSCHRAUBE TCCE 10x20
5	12001	GUARNIZIONE TEFLON 58x43x2	TEFLON GASKET 58x43x2	JOINT TEFLON 58x43x2	TEFLON DICHTUNG 58x23x2
6	15514111	PROTEZIONE RESISTENZA	HEATING ELEMENT COVER	COUVRE-RESISTENCE	HEIZKORPERDECKEL
7	15514113	BOCCOLA BLOCCAGGIO PROTEZIONE	BUSHING	BAGUE	BUSHING
8	4943060	RACCORDO -T- 1/4x1/4x1/4 CW510L	'T' CONNECTOR 1/4x1/4x1/4 CW510L	RACCORD 'T' 1/4x1/4x1/4 CW510L	T' -ANSCHLUSS 1/4X1/4X1/4 CW510L
9	12100	GUARNIZIONE CU/ALIM 1/4 18.7x13.2x2.5	CU GASKET 1/4 18.7X13.2X2.5	JOINT CU 1/4 18.7X13.2X2.5	CU DICHTUNG 1/4 18.7x13.2x2.5
10	12007	GUARNIZIONE KLINGERSIL4400	KLINGERSIL4400 SEAL	JOINT KLINGERSIL4400	DICHTUNG KLINGER SIL4400
11	25782	TAPPO FEMMINA 1/4 GAS	1/4 GAS FEMALE TAP	BOUCHON FEMELLE 1/4 GAZ	INNENANSCHLUSSSTOPSEL 1/4 GAS
12	4853011	FLANGIA	FLANGE	BRIDE	FLANSCH
13	12003	GUARNIZIONE CALDAIA	BOILER GASKET	JOINT CHAUDIERE	KESSELDICHTUNG
14	4662356004	CALDAIA 4GR CTS AEA ESPRESSIMO CW510L	CTS AEA BOILER 4 UNIT	CHAUDIERE 4GR CTS AEA	HEIZKESSEL 4GR CTS AEA
15	12101	GUARNIZIONE RAME 3/8 22x17x3	GASKET COPPER 3/8 22x17x3	JOINT CUIVRE 3/8 22x17x3	KUPFERDICHTUNG 3/8 22x17x3
16	4943052	RACCORDO "L" 3/8	CONNECTOR 'L' 3/8	RACCORD 'L' 3/8	ANSCHLUSS 'L' 3/8
17	12153003	GUARNIZIONE RAME 1/4 Sp.2	GASKET 1/4 Sp.2 COPPER	JOINT CUIVRE 1/4 Sp.2	KUPFERDICHTUNG 1/4 Sp.2
18	4925780	TAPPO MASCHIO OTTONE 1/4	BRASS MALE CAP 1/4	BOUCHON MALE LAITON 1/4	MESSING-STOPFEN 1/4
19	4856150100	VALVOLA ANTIRISUCCHIO V.A.R.	ANTI-EDDY VALVE V.A.R.	SOUPAPE ANTI-DEPRESSION V.A.R.	VENTIL UNTERDRUCKFREI V.A.R.
20	4820251	SONDA LIVELLO L.125	LEVEL PROBE L.125	JAUG L.125	PEGELFUHLER L.125
21	12154	GUARNIZIONE CU 3/8 22x17x1.5	GASKET COPPER 3/8 22x17x1,5	JOINT CUIVRE 3/8 22x17x1.5	KUPFERDICHTUNG 3/8 22x17x1.5
22	4952000578	TUBO D-6 L.140	TUBE D-6 L.140	TUYAU D-6 L.140	ROHR D-6 L.140
23	4620352002	VALVOLA DI SICUREZZA *CE*	*CE* SAFETY VALVE	SOUPAPE DE SECURITE *CE*	SICHERHEITSVENTIL *CE*
24	15006001	FLANGIA VALVOLA SICUREZZA	FLANGE VALVE	JOINT VANNE	FLANSCH VENTIL
25	12300000	GUARNIZIONE OR	GASKET O RING	JOINT OR	OR DICHTUNG
26	56009980	ASSIEME PROTEZIONE VALVOLE SICUREZZA	UNIT PROTECTION VALVE	ENSEMBLE PROTECTION VANNE	SATZ-SCHUTZGITTER VENTIL
27	15478002	TUBO SILICONE 8x11 L.70cm	SILICONE TUBE 8x11 L.70cm	TUYAU SILICONE 8x11 L.70cm	SILIKONROHR 8x11 L.70cm
28	4943033	RACCORDO "T" 3/8x3/8x1/4	3/8x3/8x1/4 T FITTING	RACCORD "T" 3/8x3/8x1/4	ANSCHLUSS 3/8x3/8x1/4 T
29	4925785	TAPPO MASCHIO 3/8	MALE CAP 3/8	BOUCHON MALE 3/8	STOPFEN 3/8
30	4663200004	SCAMBIATORE CTS D80 ECO	EXCHANGER WITH THERMOS.CIRCULATI D-80	ECHANG.CIRCUL.A THERMOSIPHON D-80	AUISTAUSCHER MIT ROHREN D-80
31	12005	GUARNIZIONE 28x18.3x2	GASKET 28X17X2	JOINT 28X17X2	DICHTUNG 28x17x2
32	25651	RONDELLA OTTONE 3/8	BRASS WASHER 3/8	RONDELLE LAITON 3/8	MESSINGSCHIEBE 3/8
33	25356	CONTRODADO OTTONE 3/8	BRASS LOCK NUT 3/8	CONTRE-ECROU LAITON 3/8	MESSING-GEGENMUTTER 3/8
34	4943030001	RACCORDO INIETTORE 3/8Fx3/8Mx14F	3/8Fx3/8Mx14F INJECTOR FITTING	RACC. INJECTEUR 3/8Fx3/8Mx14F	ANSCHLUSS EINSPRITZER 3/8Fx3/8Mx14F
35	4952002788	TUBO D-6 L.85	TUBE D-6 L85	TUYAU D-6 L.85	ROHR D-6 L.85
36	15183044	ISOLANTE TERMICO FONDELLO	BOTTOM BOILER ISOLATING	ISOLANTE FOND CHAUDIERE	VERSCHLUSS WASCHTRICHTER BODEN KESSEL
37	15183047	ISOLANTE TERMICO CALDAIA 4GR	BOILER ISOLATING 4GR	ISOLANTE CHAUDIERE 4GR	VERSCHLUSS WASCHTRICHTER KESSEL 4GR



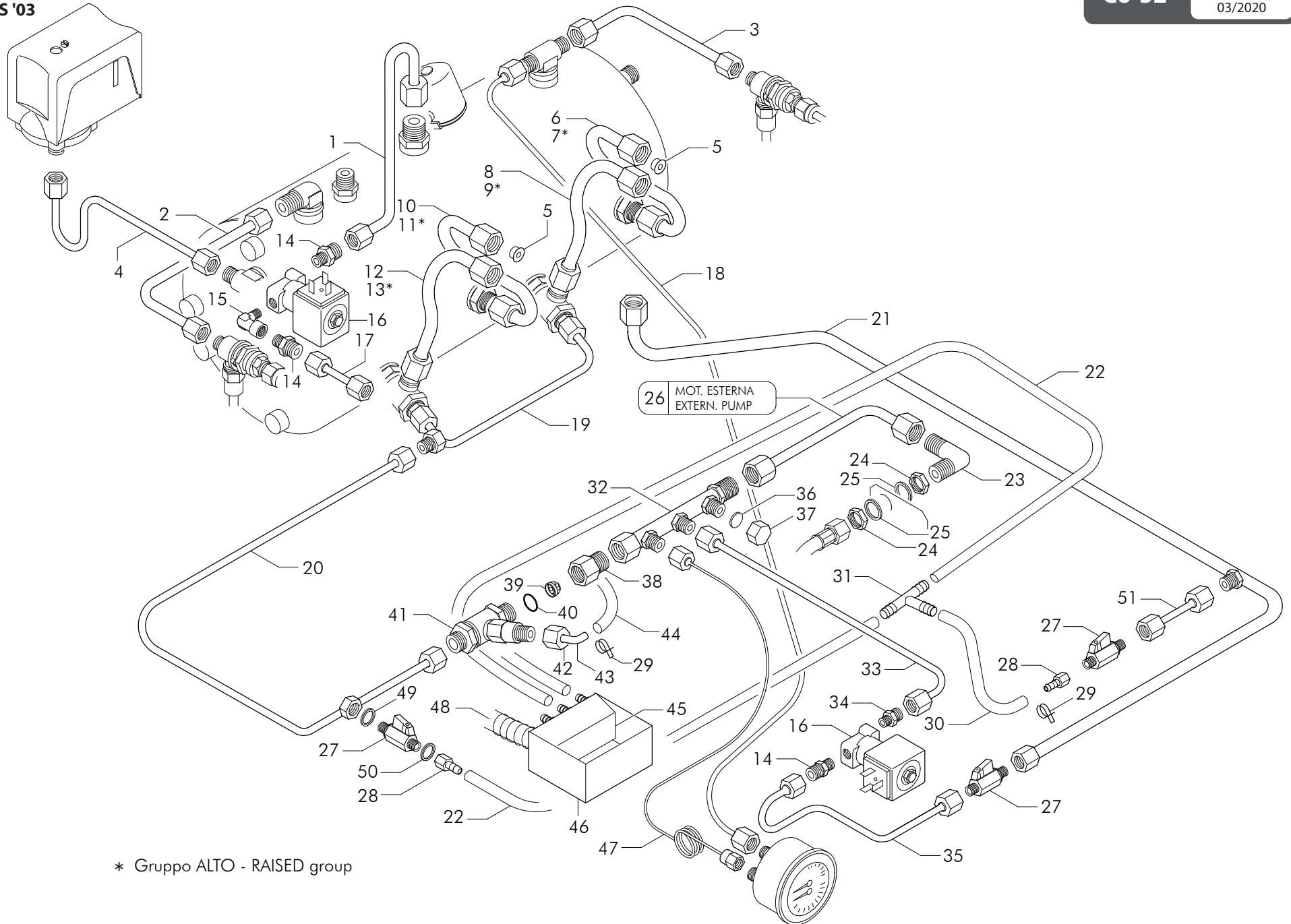
## AEP 1GR CTS '03

Pos	Cod.	Denominazione - IT -	Denomination - GB -	Denomination - FR -	Denomination - DE -
1	4952000889	TUBO D-8 L.230	TUBE D-8 L.230	TUYAU D-8 L.230	ROHR D-8 L.230
2	4952000890	TUBO D-8 L.220	TUBE D-8 L.220	TUYAU D-8 L.220	ROHR D-8 L.220
3	4952001225	TUBO D-6 L.220	TUBE D-6 L.220	TUYAU D-6 L.220	ROHR D-6 L.220
4	4923294001	STROZZATURA RICIRCOLO GR CTS D 2,5	CTS UNIT D 2,5 RECIRC. NECK	ETRANGLEMENT RECYCLAGE GR.D-2,5	ENGSTELLE UMWALZUNG D.2,5
4	4923294002	STROZZATURA RICIRCOLO GR CTS D.3	CTS UNIT D.3 RECIRC. NECK	ETRANGLEMENT RECYCLAGE GR. D.3	ENGSTELLE UMWALZUNG D.3
4	4923294003	STROZZATURA RICIRCOLO GR CTS D 4	CTS UNIT D 4 RECIRC. NECK	ETRANGLEMENT RECYCLAGE GR.D.4	ENGSTELLE UMWALZUNG D.4
4	4923294004	STROZZATURA RICIRCOLO GR CTS D 5	CTS UNIT D 5 RECIRC. NECK	ETRANGLEMENT RECYCLAGE GR.D.5	ENGSTELLE UMWALZUNG D.5
5	4952003934	TUBO D-10 L.210	TUBE D-10 L.210	TUYAU D-10 L.210	ROHR D-10 L.210
6	4952000481	TUBO D-10 L.215	TUBE D-10 L.215	TUYAU D-10 L.215	ROHR D-10 L.215
7	4952000211	TUBO D-10 L.155	TUBE D-10 L.155	TUYAU D-10 L.155	ROHR D-10 L.155
8	4952000482	TUBO D-10 L.185	TUBE D-10 L.185	TUYAU D-10 L.185	ROHR D-10 L.185
9	4923295103	STROZZATURA OTTONE Ø1,5	NECK D-1.5	ETRANGLEMENT D-1,5	UMWALZUNG D-1,5
10	4652000891	TUBO D-8 L.270	TUBE D-8 L.270	TUYAU D-8 L.270	ROHR D-8 L.270
11	25789321	GICLEUR D.0,5 INOX	GICLEUR 0,5	GICLEUR D-0,5	DUSE D-0,5
12	4643067	RACCORDO "L" 3/8x3/8	3/8X3/8 L FITTING	RACCORD L 3/8x3/8	ANSCHLUSS L 3/8x3/8
13	25356	CONTRODADO OTTONE 3/8	BRASS LOCK NUT 3/8	CONTRE-ECROU LAITON 3/8	MESSING-GEGENMUTTER 3/8
14	25651	RONDELLA OTTONE 3/8	BRASS WASHER 3/8	RONDELLE LAITON 3/8	MESSINGSCHLEIBE 3/8
15	4652000897	TUBO D-6 L.140	TUBE D-6 L.140	TUYAU D-6 L.140	ROHR D-6 L.140
16	4625732100	RACCORDO 3/8Mx3/8F	FITTING 3/8Mx3/8F	RACCORD 3/8Mx3/8F	ANSCHLUSS 3/8Mx3/8F
17	10254	FILTRO ACCIAIO 160-200 MESH	STEEL FILTER 160-200 MESH	FILTRE EN ACIER 160-200 MESH	STAHLFILTER 160-200 MESH
18	12312	GUARNIZIONE OR	O RING	JOINT OR	OR DICHTUNG
19	4620361	VALVOLA S.C.N.R. REGOLABILE	ADJUSTABLE S.C.N.R. VALVE	SOUPAPE S.C.N.R. REGLABLE	EINSTELLBARES VENTIL S.N.C.R.
20	4952004504	TUBO D-8 L.550	TUBE D-8 L.550	TUYAU D-8 L.550	ROHR D-8 L.550
21	4652001590	TUBO D-6 L.28	TUBE D-6 L.28	TUYAU D-6 L.28	ROHR D-6 L.28
22	4620354001	VALVOLA CHIUSURA L.40	PRESSURE RELEASE TAP BULK UNIT L.40	CLAPET FERMETURE AUT.ARRIVEE EAU	ABSPERRVENTIL x AUT.WASSERZUFUHR L.40
23	25382	DADO 1/4 FORO 9.5 OTTONE	NUT 1/4 HOLE 9.5	ECROU 1/4 TROU 9.5	SCHRAUBENMUTTER 1/4 LOCH 9.5
24	4652000851	TUBO D-8 L.45	TUBE D-8 L.45	TUYAU D-8 L.45	ROHR D-8 L.45
25	15056003	FASCETTA BIFILARE A MOLLA D.11-11.6	SPRING CLAMP BI FILAR D11,00-11.6	COLLIER BIFILAIRE RESSORT D.11,00-11.6	SHELLE D.11-11,6
26	15452160	TUBO SILICONE D-7x11 L.220	TUBE SILICONE D-7x11 L.220	TUYAU SILICONE D-7x11 L.220	SILIKONROHR D7x11 L.220
27	12153003	GUARNIZIONE RAME 1/4 Sp.2	GASKET 1/4 Sp.2 COPPER	JOINT CUIVRE 1/4 Sp.2	KUPFERDICHTUNG 1/4 Sp.2
28	23228025	RACCORDO DRITTO 1/4F + PORTAGOMMA	HOSE CONNECTION 1/4F D-8	PORTE-CAOUTCHOUC 1/4F D-8	GUMMIHALTER 1/4F D-8
29	15452117	TUBO SILICONE PLATINICO 7x11 L.450	SILICON TUBE 7x11 L.450	TUBE EN SILICONE 7x11 L.450	ROHR SILIKON 7x11 L.450
30	15502003	VASCHETTA SCARICO BACINELLA	DRAIN PAN	DRAIN DE LA BAIGNOIRE	BADEWANNEABLAUF
31	15502002	PARATIA ROMPIGETTO VASCHETTA SCARICO	BULKHEAD	CLOISON	SCHOTT
32	15469001	TUBO CORRUGATO D.19 L.2000	CORRUGATED TUBE D.19 L.2000	TUYAU ONDULE D.19 L.2000	WELLPAPPE TUBE D.19 L.2000
33	4652000892	TUBO D-6 L.605	TUBE D-6 L.605	TUYAU D-6 L.605	ROHR D-6 L.605
34	4652000419	TUBO D-4 L.635	TUBE D-4 L.635	TUYAU D-4 L.635	ROHR D-4 L.635
35	4652003055	TUBO D-2 L.500	TUBE D-2 L.500	TUYAU D-2 L.500	ROHR D-2 L.500

## AEP 1GR CTS '03

Pos	Cod.	Denominazione - IT -	Denomination - GB -	Denomination - FR -	Denomination - DE -
36	4652000895	TUBO D-6 L.300	TUBE D-6 L.300	TUYAU D-6 L.300	ROHR D-6 L.300
37	15452136	TUBO SILICONE D-7x11 L.300	TUBE SILICONE D-7x11 L.300	TUYAU SILICONE D-7x11 L.300	SILIKONROHR D7x11 L.300
38	4652000896	TUBO D-6 L.220	TUBE D-6 L.220	TUYAU D-6 L.220	ROHR D-6 L.220
39	4652000893	TUBO D-6 L.280	TUBE D-6 L.280	TUYAU D-6 L.280	ROHR D-6 L.280
40	4918162005	ELETTROVALVOLA AEA 220-240V 50-60Hz VDE	SOL.VALVE WATER REFILL 220/240 50/60HZ	ELECTROVANNE REA 220/240V 50/60Hz VDE	ELEKTROVENTIL AWZ 230/250 V 50/60 Hz VDE
41	4625708	RACCORDO 1/4x1/4	1/4X1/4 FITTING	RACCORD 1/4X1/4	ANSCHLUSS 1/4X1/4
42	4625707004	RACCORDO DRITTO 1/8 con x1/4	STRAIGHT CONNECTOR 1/8 con-1/4	RACCORD 1/8 con -1/4	ANSCHLUSS 1/8 con-1/4
43	4625707	RACCORDO 1/8x1/4	CONNECTOR 1/8x1/4	RACCORD 1/8x1/4	ANSCHLUSS 1/8x1/4

AEP 2GR CTS '03



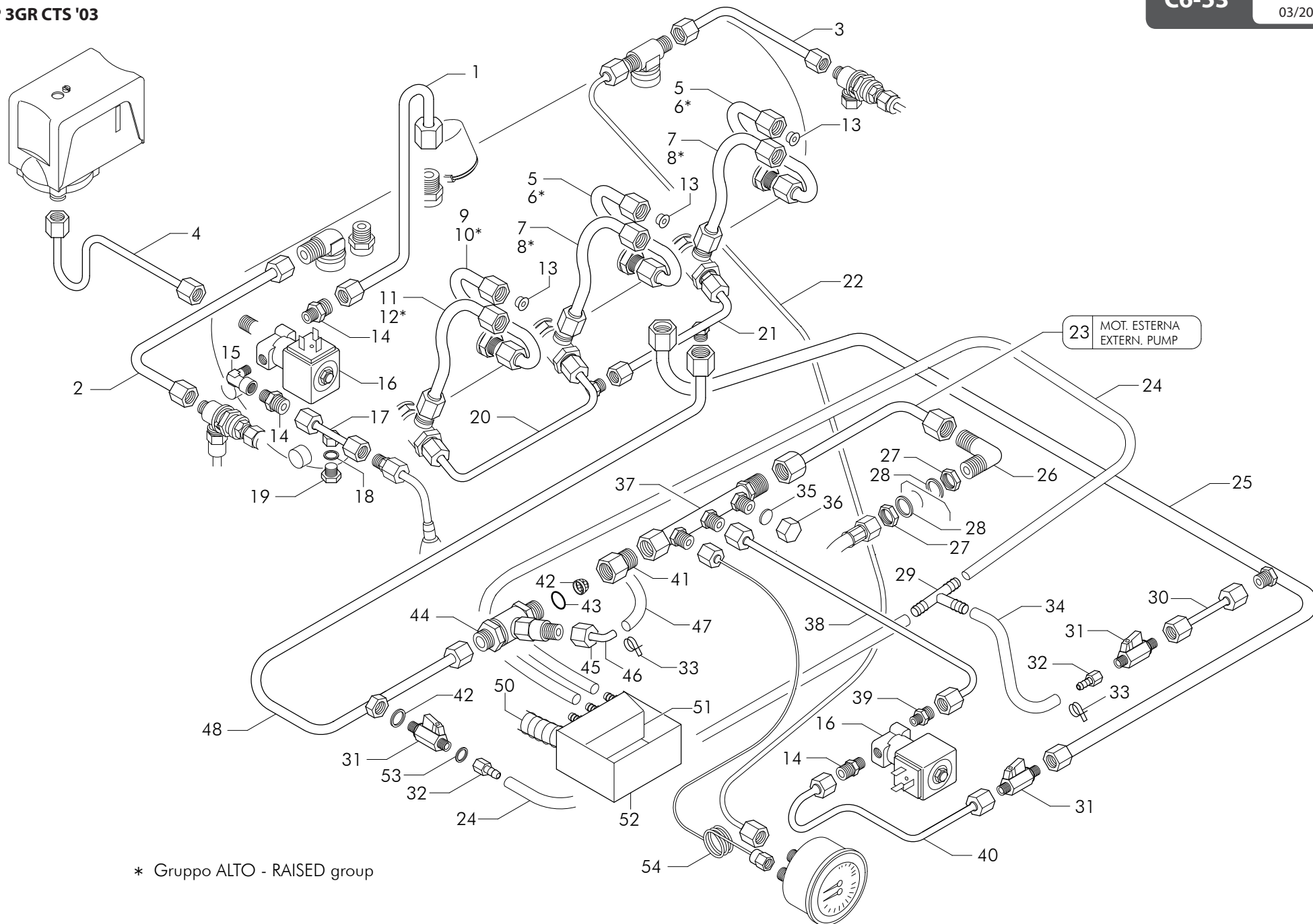
\* Gruppo ALTO - RAISED group

## AEP 2GR CTS '03

Pos	Cod.	Denominazione - IT -	Denomination - GB -	Denomination - FR -	Denomination - DE -
1	4952000578	TUBO D-6 L.140	TUBE D-6 L.140	TUYAU D-6 L.140	ROHR D-6 L.140
2	4952000579	TUBO D-8 L.235	TUBE D-8 L.235	TUYAU D-8 L.235	ROHR D-8 L.235
3	4952000580	TUBO D-8 L.260	TUBE D-8 L.260	TUYAU D-8 L.260	ROHR D-8 L.260
4	4652003932	TUBO D-6 L.165	TUBE D-6 L.165	TUYAU D-6 L.165	ROHR D-6 L.165
5	4923294001	STROZZATURA RICIRCOLO GR CTS D 2,5	CTS UNIT D 2,5 RECIRC. NECK	ETRANGLEMENT RECYCLAGE GR.D-2,5	ENGSTELLE UMWALZUNG D. 2,5
5	4923294002	STROZZATURA RICIRCOLO GR CTS D.3	CTS UNIT D.3 RECIRC. NECK	ETRANGLEMENT RECYCLAGE GR. D.3	ENGSTELLE UMWALZUNG D.3
5	4923294003	STROZZATURA RICIRCOLO GR CTS D 4	CTS UNIT D 4 RECIRC. NECK	ETRANGLEMENT RECYCLAGE GR.D.4	ENGSTELLE UMWALZUNG D. 4
5	4923294004	STROZZATURA RICIRCOLO GR CTS D 5	CTS UNIT D 5 RECIRC. NECK	ETRANGLEMENT RECYCLAGE GR.D.5	ENGSTELLE UMWALZUNG D.5
6	4952003934	TUBO D-10 L.210	TUBE D-10 L.210	TUYAU D-10 L.210	ROHR D-10 L.210
7	4952000487	TUBO D-10 L.205	TUBE D-10 L.205	TUYAU D-10 L.205	ROHR D-10 L.205
8	4952000245	TUBO D-10 L.165	TUBE D-10 L.165	TUYAU D-10 L.165	ROHR D-10 L.165
9	4952000488	TUBO D-10 L.200	TUBE D-10 L.200	TUYAU D-10 L.200	ROHR D-10 L.200
10	4952000214	TUBO D-10 L.195	TUBE D-10 L.195	TUYAU D-10 L.195	ROHR D-10 L.195
11	4952000489	TUBO D-10 L.240	TUBE D-10 L.240	TUYAU D-10 L.240	ROHR D-10 L.240
12	4952000272	TUBO D-10 L.135	TUBE D-10 L.135	TUYAU D-10 L.135	ROHR D-10 L.135
13	4952000490	TUBO D-10 L.180	TUBE D-10 L.180	TUYAU D-10 L.180	ROHR D-10 L.180
14	4625707	RACCORDO 1/8x1/4	CONNECTOR 1/8x1/4	RACCORD 1/8x1/4	ANSCHLUSS 1/8x1/4
15	4723229103	RACCORDO 1/8-1/8	CONNECTOR 1/8-1/8	RACCORD 1/8-1/8	ANSCHLUSS 1/8-1/8
16	4918162005	ELETTROVALVOLA AEA 220-240V 50-60Hz VDE	SOL.VALVE WATER REFILL 220/240 50/60HZ	ELECTROVANNE REA 220/240V 50/60Hz VDE	ELEKTROVENTIL AWZ 230/250 V 50/60 Hz VDE
17	4652002088	TUBO D-6 L.45	TUBE D-6 L.45	TUYAU D-6 L.45	ROHR D-6 L.45
18	4652000715	TUBO D-4 L.670	TUBE D-4 L.670	TUYAU D-4 L.670	ROHR D-4 L.670
19	4952000233	TUBO D-6 L.230	TUBE D-6 L.230	TUYAU D-6 L.230	ROHR D-6 L.230
20	4952000873	TUBO D-6 L.360	TUBE D-6 L.360	TUYAU D-6 L.360	ROHR D-6 L.360
21	4952004504	TUBO D-8 L.550	TUBE D-8 L.550	TUYAU D-8 L.550	ROHR D-8 L.550
22	15452159	TUBO SILICONE D-7x11 L.380	TUBE SILICONE D-7x11 L.300	TUYAU SILICONE D-7x11 L.300	SILIKONROHR D7x11 L.300
23	4643067	RACCORDO "L" 3/8x3/8	3/8X3/8 L FITTING	RACCORD L 3/8x3/8	ANSCHLUSS L 3/8x3/8
24	25356	CONTRODADO OTTONE 3/8	BRASS LOCK NUT 3/8	CONTRE-ECROU LAITON 3/8	MESSING-GEGENMUTTER 3/8
25	25651	RONDELLA OTTONE 3/8	BRASS WASHER 3/8	RONDELLE LAITON 3/8	MESSINGSCHLEIBE 3/8
26	4652004510	TUBO D-8 L.65	TUBE D-8 L.65	TUYAU D-8 L.65	ROHR D-8 L.65
27	4620354001	VALVOLA CHIUSURA L.40	PRESSURE RELEASE TAP BULK UNIT L.40	CLAPET FERMETURE AUT.ARRIVEE EAU	ABSPERRVENTIL x AUT.WASSERZUFUHR L.40
28	23228025	RACCORDO DRITTO 1/4F + PORTAGOMMA	HOSE CONNECTION 1/4F D-8	PORTE-CAOUTCHOU 1/4F D-8	GUMMIHALTER 1/4F D-8
29	15056003	FASCETTA BIFILARE A MOLLA D.11-11.6	SPRING CLAMP BI FILAR D11,00-11.6	COLLIER BIFILAIRE RESSORT D.11,00-11.6	SHELLE D.11-11,6
30	15452129	TUBO SILICONE PLATINICO 7x11 L.40	SILICON TUBE	SILICON TUYAU	SILIKON ROHR
31	15422017	RACCORDO "T" POLIPROPILENE D-10	"T" POLIPROPILENE FITTING	RACCORD "T" POLIPROPILENE	ANSCHLUSS "T" POLIPROPILENE
32	4656136004	BLOCCO DISTRIBUZIONE	DISTRIBUTION BLOCK 2-3-4GR	BLOC DISTRIBUTION 2-3-4GR	BLOCK VERTEILER 2-3-4GR
33	4652000617	TUBO D-6 L.115	TUBE D-6 L.115	TUYAU D-6 L.115	ROHR D-6 L.115
34	4625707004	RACCORDO DRITTO 1/8 con x1/4	STRAIGHT CONNECTOR 1/8 con-1/4	RACCORD 1/8 con -1/4	ANSCHLUSS 1/8 con-1/4
35	4952004508	TUBO D-6 L.191	TUBE D-6 L.191	TUYAU D-6 L.191	ROHR D-6 L.191

## AEP 2GR CTS '03

Pos	Cod.	Denominazione - IT -	Denomination - GB -	Denomination - FR -	Denomination - DE -
36	12007	GUARNIZIONE KLINGERSIL4400	KLINGERSIL4400 SEAL	JOINT KLINGERSIL4400	DICHTUNG KLINGER SIL4400
37	25782	TAPPO FEMMINA 1/4 GAS	1/4 GAS FEMALE TAP	BOUCHON FEMELLE 1/4 GAZ	INNENANSCHLUSSSTOPSEL 1/4 GAS
38	4625732100	RACCORDO 3/8Mx3/8F	FITTING 3/8Mx3/8F	RACCORD 3/8Mx3/8F	ANSCHLUSS 3/8Mx3/8F
39	10254	FILTRO ACCIAIO 160-200 MESH	STEEL FILTER 160-200 MESH	FILTRE EN ACIER 160-200 MESH	STAHLFILTER 160-200 MESH
40	12312	GUARNIZIONE OR	O RING FOR WATER REFILL FILTER 10x2	JOINT OR FILTRE AUT.REM.EAU 10X2	OR DICHTUNG FUR WASSERFULLUNGFILTER
41	4620361	VALVOLA S.C.N.R. REGOLABILE	ADJUSTABLE S.C.N.R. VALVE	SOUPAPE S.C.N.R. REGLABLE	EINSTELLBARES VENTIL S.N.C.R.
42	25382	DADO 1/4 FORO 9.5 OTTONE	NUT 1/4 HOLE 9.5	ECROU 1/4 TROU 9.5	SCHRAUBENMUTTER 1/4 LOCH 9.5
43	4652000851	TUBO D-8 L.45	TUBE D-8 L.45	TUYAU D-8 L.45	ROHR D-8 L.45
44	15452136	TUBO SILICONE D-7x11 L.300	TUBE SILICONE D-7x11 L.300	TUYAU SILICONE D-7x11 L.300	SILIKONROHR D7x11 L.300
45	15502002	PARATIA ROMPIGETTO VASCHETTA SCARICO	BULKHEAD	CLOISON	SCHOTT
46	15502003	VASCHETTA SCARICO BACINELLA	DRAIN PAN	DRAIN DE LA BAIGNOIRE	BADEWANNEABLAUF
47	4652003055	TUBO D-2 L.500	TUBE D-2 L.500	TUYAU D-2 L.500	ROHR D-2 L.500
48	15469001	TUBO CORRUGATO D.19 L.2000	CORRUGATED TUBE D.19 L.2000	TUYAU ONDULE D.19 L.2000	WELLPAPPE TUBE D.19 L.2000
49	12100	GUARNIZIONE CU/ALIM 1/4 18.7x13.2x2.5	CU GASKET 1/4 18.7X13.2X2.5	JOINT CU 1/4 18.7X13.2X2.5	CU DICHTUNG 1/4 18.7x13.2x2.5
50	12153003	GUARNIZIONE RAME 1/4 Sp.2	GASKET 1/4 Sp.2 COPPER	JOINT CUIVRE 1/4 Sp.2	KUPFERDICHTUNG 1/4 Sp.2
51	4652001175	TUBO D-8 L.43	TUBE D-8 L.43	TUYAU D-8 L.43	ROHR D-8 L.43



\* Gruppo ALTO - RAISED group

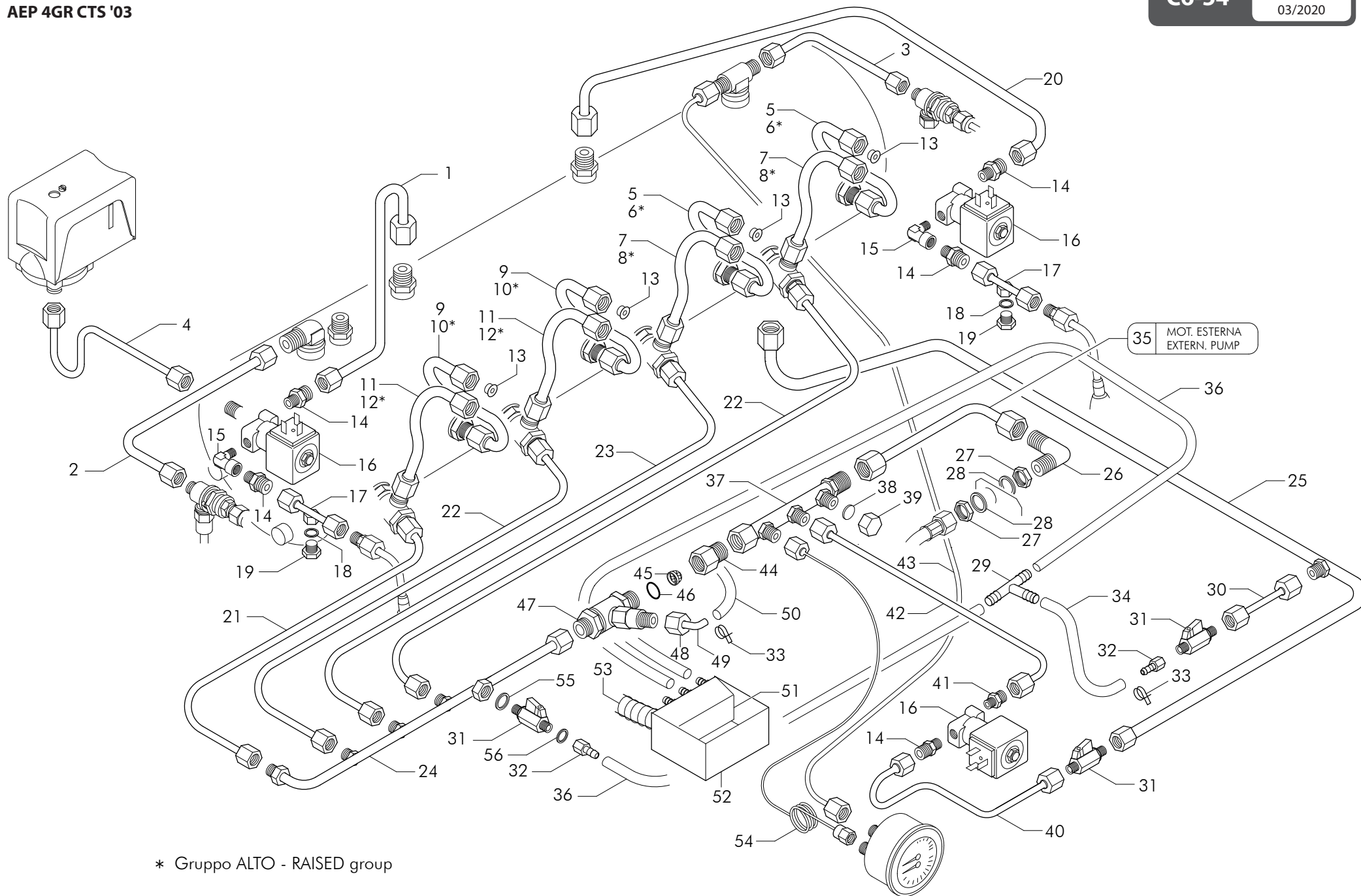


## AEP 3GR CTS '03

Pos	Cod.	Denominazione - IT -	Denomination - GB -	Denomination - FR -	Denomination - DE -
1	4952000578	TUBO D-6 L.140	TUBE D-6 L.140	TUYAU D-6 L.140	ROHR D-6 L.140
2	4952000579	TUBO D-8 L.235	TUBE D-8 L.235	TUYAU D-8 L.235	ROHR D-8 L.235
3	4952000580	TUBO D-8 L.260	TUBE D-8 L.260	TUYAU D-8 L.260	ROHR D-8 L.260
4	4652003932	TUBO D-6 L.165	TUBE D-6 L.165	TUYAU D-6 L.165	ROHR D-6 L.165
5	4952003934	TUBO D-10 L.210	TUBE D-10 L.210	TUYAU D-10 L.210	ROHR D-10 L.210
6	4952000487	TUBO D-10 L.205	TUBE D-10 L.205	TUYAU D-10 L.205	ROHR D-10 L.205
7	4952000245	TUBO D-10 L.165	TUBE D-10 L.165	TUYAU D-10 L.165	ROHR D-10 L.165
8	4952000488	TUBO D-10 L.200	TUBE D-10 L.200	TUYAU D-10 L.200	ROHR D-10 L.200
9	4952000214	TUBO D-10 L.195	TUBE D-10 L.195	TUYAU D-10 L.195	ROHR D-10 L.195
10	4952000489	TUBO D-10 L.240	TUBE D-10 L.240	TUYAU D-10 L.240	ROHR D-10 L.240
11	4952000272	TUBO D-10 L.135	TUBE D-10 L.135	TUYAU D-10 L.135	ROHR D-10 L.135
12	4952000490	TUBO D-10 L.180	TUBE D-10 L.180	TUYAU D-10 L.180	ROHR D-10 L.180
13	4923294001	STROZZATURA RICIRCOLO GR CTS D 2,5	CTS UNIT D 2,5 RECIRC. NECK	ETRANGLEMENT RECYCLAGE GR.D-2,5	ENGSTELLE UMWALZUNG D.2,5
13	4923294002	STROZZATURA RICIRCOLO GR CTS D.3	CTS UNIT D.3 RECIRC. NECK	ETRANGLEMENT RECYCLAGE GR. D.3	ENGSTELLE UMWALZUNG D.3
13	4923294003	STROZZATURA RICIRCOLO GR CTS D 4	CTS UNIT D 4 RECIRC. NECK	ETRANGLEMENT RECYCLAGE GR.D.4	ENGSTELLE UMWALZUNG D.4
13	4923294004	STROZZATURA RICIRCOLO GR CTS D 5	CTS UNIT D 5 RECIRC. NECK	ETRANGLEMENT RECYCLAGE GR.D.5	ENGSTELLE UMWALZUNG D.5
14	4625707	RACCORDO 1/8x1/4	CONNECTOR 1/8x1/4	RACCORD 1/8x1/4	ANSCHLUSS 1/8x1/4
15	4723229103	RACCORDO 1/8-1/8	CONNECTOR 1/8-1/8	RACCORD 1/8-1/8	ANSCHLUSS 1/8-1/8
16	4918162005	ELETTROVALVOLA AEA 220-240V 50-60Hz VDE	SOL.VALVE WATER REFILL 220/240 50/60HZ	ELECTROVANNE REA 220/240V 50/60Hz VDE	ELEKTROVENTIL AWZ 230/250 V 50/60 Hz VDE
17	4652002088	TUBO D-6 L.45	TUBE D-6 L.45	TUYAU D-6 L.45	ROHR D-6 L.45
18	12151	GUARNIZIONE RAME 1/8 13x10.2x1.5	COPPER GASKET	JOINT CUIVRE	KUPFERDICHTUNG
19	4925787	TAPPO MASCHIO 1/8	MALE CAP 1/8	BOUCHON MALE 1/8	STOPFEN 1/8
20	4952000233	TUBO D-6 L.230	TUBE D-6 L.230	TUYAU D-6 L.230	ROHR D-6 L.230
21	4952000326	TUBO D-6 L.250	TUBE D-6 L.250	TUYAU D-6 L.250	ROHR D. 6 L.250
22	4652000719	TUBO D-4 L.780	TUBE D-4 L.780	TUYAU D-4 L.780	ROHR D-4 L.780
23	4652004510	TUBO D-8 L.65	TUBE D-8 L.65	TUYAU D-8 L.65	ROHR D-8 L.65
24	15452144	TUBO SILICONE D-7x11 L.500	TUBE SILICONE D-7x11 L.500	TUYAU SILICONE D-7x11 L.500	SILIKONROHR D7x11 L.500
25	4952004504	TUBO D-8 L.550	TUBE D-8 L.550	TUYAU D-8 L.550	ROHR D-8 L.550
26	4643067	RACCORDO "L" 3/8x3/8	3/8X3/8 L FITTING	RACCORD L 3/8x3/8	ANSCHLUSS L 3/8x3/8
27	25356	CONTRODADO OTTONE 3/8	BRASS LOCK NUT 3/8	CONTRE-ECROU LAITON 3/8	MESSING-GEGENMUTTER 3/8
28	25651	RONDELLA OTTONE 3/8	BRASS WASHER 3/8	RONDELLE LAITON 3/8	MESSINGSCHIEBE 3/8
29	15422017	RACCORDO "T" POLIPROPILENE D-10	"T" POLIPROPILENE FITTING	RACCORD "T" POLIPROPILENE	ANSCHLUSS "T" POLIPROPILENE
30	4652001175	TUBO D-8 L.43	TUBE D-8 L.43	TUYAU D-8 L.43	ROHR D-8 L.43
31	4620354001	VALVOLA CHIUSURA L.40	PRESSURE RELEASE TAP BULK UNIT L.40	CLAPET FERMETURE AUT.ARRIVEE EAU	ABSPERRVENTIL x AUT.WASSERZUFUHR L.40
32	23228025	RACCORDO DRITTO 1/4F + PORTAGOMMA	HOSE CONNECTION 1/4F D-8	PORTE-CAOUTCHOUC 1/4F D-8	GUMMIHALTER 1/4F D-8
33	15056003	FASCETTA BIFILARE A MOLLA D.11-11.6	SPRING CLAMP BI FILAR D11,00-11.6	COLLIER BIFILAIRE RESSORT D.11,00-11.6	SHELLE D.11-11,6
34	15452129	TUBO SILICONE PLATINICO 7x11 L.40	SILICON TUBE	SILICON TUYAU	SILIKON ROHR
35	12007	GUARNIZIONE KLINGERSIL4400	KLINGERSIL4400 SEAL	JOINT KLINGERSIL4400	DICHTUNG KLINGER SIL4400

## AEP 3GR CTS '03

Pos	Cod.	Denominazione - IT -	Denomination - GB -	Denomination - FR -	Denomination - DE -
36	25782	TAPPO FEMMINA 1/4 GAS	1/4 GAS FEMALE TAP	BOUCHON FEMELLE 1/4 GAZ	INNENANSCHLUSSSTOPSEL 1/4 GAS
37	4656136004	BLOCCO DISTRIBUZIONE	DISTRIBUTION BLOCK 2-3-4GR	BLOC DISTRIBUTION 2-3-4GR	BLOCK VERTEILER 2-3-4GR
38	4652000617	TUBO D-6 L.115	TUBE D-6 L.115	TUYAU D-6 L.115	ROHR D-6 L.115
39	4625707004	RACCORDO DRITTO 1/8 con x1/4	STRAIGHT CONNECTOR 1/8 con-1/4	RACCORD 1/8 con -1/4	ANSCHLUSS 1/8 con-1/4
40	4952004508	TUBO D-6 L.191	TUBE D-6 L.191	TUYAU D-6 L.191	ROHR D-6 L.191
41	4625732100	RACCORDO 3/8Mx3/8F	FITTING 3/8Mx3/8F	RACCORD 3/8Mx3/8F	ANSCHLUSS 3/8Mx3/8F
42	10254	FILTRO ACCIAIO 160-200 MESH	STEEL FILTER 160-200 MESH	FILTRE EN ACIER 160-200 MESH	STAHLFILTER 160-200 MESH
43	12312	GUARNIZIONE OR	O RING	JOINT OR	OR DICHTUNG
44	4620361	VALVOLA S.C.N.R. REGOLABILE	ADJUSTABLE S.C.N.R. VALVE	SOUPAPE S.C.N.R. REGLABLE	EINSTELLBARES VENTIL S.N.C.R.
45	25382	DADO 1/4 FORO 9.5 OTTONE	NUT 1/4 HOLE 9.5	ECROU 1/4 TROU 9.5	SCHRAUBENMUTTER 1/4 LOCH 9.5
46	4652000851	TUBO D-8 L.45	TUBE D-8 L.45	TUYAU D-8 L.45	ROHR D-8 L.45
47	15452136	TUBO SILICONE D-7x11 L.300	TUBE SILICONE D-7x11 L.300	TUYAU SILICONE D-7x11 L.300	SILIKONROHR D7x11 L.300
48	4952000876	TUBO D-8 L.300	TUBE D-8 L.300	TUYAU D-8 L.300	ROHR D-8 L.300
49	12153003	GUARNIZIONE RAME 1/4 Sp.2	GASKET 1/4 Sp.2 COPPER	JOINT CUIVRE 1/4 Sp.2	KUPFERDICHTUNG 1/4 Sp.2
50	15469001	TUBO CORRUGATO D.19 L.2000	CORRUGATED TUBE D.19 L.2000	TUYAU ONDULE D.19 L.2000	WELLPAPPE TUBE D.19 L.2000
51	15502002	PARATIA ROMPIGETTO VASCHETTA SCARICO	BULKHEAD	CLOISON	SCHOTT
52	15502003	VASCHETTA SCARICO BACINELLA	DRAIN PAN	DRAIN DE LA BAIGNOIRE	BADEWANNEABLAUF
53	12100	GUARNIZIONE CU/ALIM 1/4 18.7x13.2x2.5	CU GASKET 1/4 18.7X13.2X2.5	JOINT CU 1/4 18.7X13.2X2.5	CU DICHTUNG 1/4 18.7x13.2x2.5
54	4652003057	TUBO D-2 L.1000	TUBE D-2 L.1000	TUYAU D-2 L.1000	ROHR D-2 L.1000



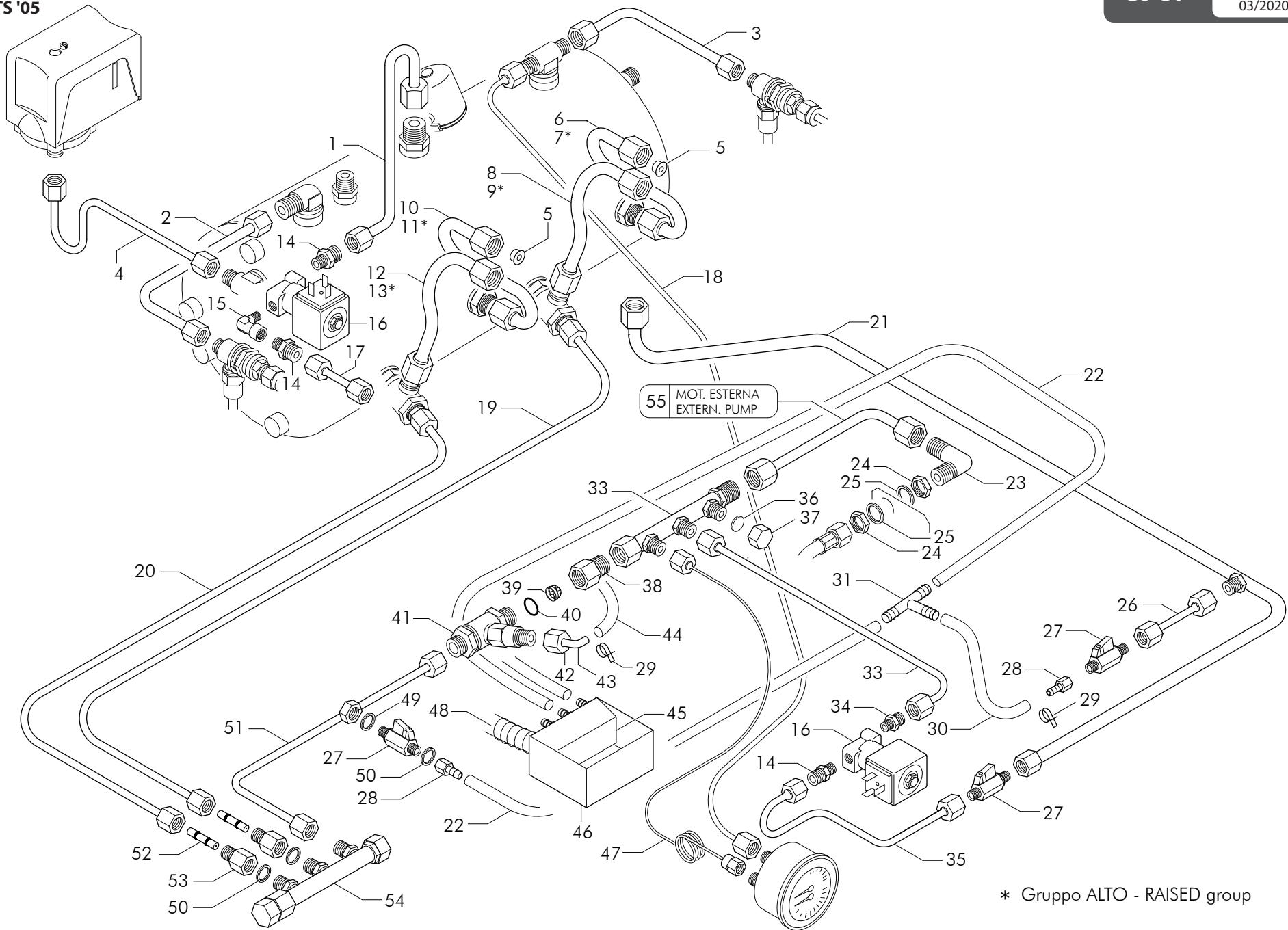
\* Gruppo ALTO - RAISED group

## AEP 4GR CTS '03

Pos	Cod.	Denominazione - IT -	Denomination - GB -	Denomination - FR -	Denomination - DE -
1	4952000952	TUBO D-6 L.260	TUBE D-6 L.260	TUYAU D-6 L.260	ROHR D-6 L.260
2	4952000579	TUBO D-8 L.235	TUBE D-8 L.235	TUYAU D-8 L.235	ROHR D-8 L.235
3	4952000580	TUBO D-8 L.260	TUBE D-8 L.260	TUYAU D-8 L.260	ROHR D-8 L.260
4	4652003932	TUBO D-6 L.165	TUBE D-6 L.165	TUYAU D-6 L.165	ROHR D-6 L.165
5	4952003934	TUBO D-10 L.210	TUBE D-10 L.210	TUYAU D-10 L.210	ROHR D-10 L.210
6	4952000487	TUBO D-10 L.205	TUBE D-10 L.205	TUYAU D-10 L.205	ROHR D-10 L.205
7	4952000245	TUBO D-10 L.165	TUBE D-10 L.165	TUYAU D-10 L.165	ROHR D-10 L.165
8	4952000488	TUBO D-10 L.200	TUBE D-10 L.200	TUYAU D-10 L.200	ROHR D-10 L.200
9	4952000214	TUBO D-10 L.195	TUBE D-10 L.195	TUYAU D-10 L.195	ROHR D-10 L.195
10	4952000489	TUBO D-10 L.240	TUBE D-10 L.240	TUYAU D-10 L.240	ROHR D-10 L.240
11	4952000272	TUBO D-10 L.135	TUBE D-10 L.135	TUYAU D-10 L.135	ROHR D-10 L.135
12	4952000490	TUBO D-10 L.180	TUBE D-10 L.180	TUYAU D-10 L.180	ROHR D-10 L.180
13	23294001	STROZZATURA RICIRCOLO GR CTS D 2.5	CTS UNIT D 2.5 RECIRC. NECK	ETRANGLEMENT RECYCLAGE GR.D.2.5	ENGSTELLE UMWALZUNG D. 2.5
13	23294002	STROZZATURA RICIRCOLO GR CTS D.3	CTS UNIT D.3 RECIRC. NECK	ETRANGLEMENT RECYCLAGE GR. D.3	ENGSTELLE UMWALZUNG D.3
13	23294003	STROZZATURA RICIRCOLO GR CTS D 4	CTS UNIT D 4 RECIRC. NECK	ETRANGLEMENT RECYCLAGE GR.D.4	ENGSTELLE UMWALZUNG D. 4
13	23294004	STROZZATURA RICIRCOLO GR CTS D 5	CTS UNIT D 5 RECIRC. NECK	ETRANGLEMENT RECYCLAGE GR. CTS D5	ENGSTELLE UMWALZUNG D.5
14	4625707	RACCORDO 1/8x1/4	CONNECTOR 1/8x1/4	RACCORD 1/8x1/4	ANSCHLUSS 1/8x1/4
15	4723229103	RACCORDO 1/8-1/8	CONNECTOR 1/8-1/8	RACCORD 1/8-1/8	ANSCHLUSS 1/8-1/8
16	4918162005	ELETTROVALVOLA AEA 220-240V 50-60Hz VDE	SOL.VALVE WATER REFILL 220/240 50/60HZ	ELECTROVANNE REA 220/240V 50/60Hz VDE	ELEKTROVENTIL AWZ 230/250 V 50/60 Hz VDE
17	4652002088	TUBO D-6 L.45	TUBE D-6 L.45	TUYAU D-6 L.45	ROHR D-6 L.45
18	12151	GUARNIZIONE RAME 1/8 13x10.2x1.5	COPPER GASKET	JOINT CUIVRE	KUPFERDICHTUNG
19	4925787	TAPPO MASCHIO 1/8	MALE CAP 1/8	BOUCHON MALE 1/8	STOPFEN 1/8
20	4952000578	TUBO D-6 L.140	TUBE D-6 L.140	TUYAU D-6 L.140	ROHR D-6 L.140
21	4652000619	TUBO D-6 L.285	TUBE D-6 L.285	TUYAU D-6 L.285	ROHR D-6 L.285
22	4652000714	TUBO D-6 L.370	TUBE D-6 L.370	TUYAU D-6 L.370	ROHR D-6 L.370
23	4652000718	TUBO D-6 L.525	TUBE D-6 L.525	TUYAU D-6 L.525	ROHR D-6 L.525
24	4652000954	TUBO D-8 L.900	TUBE D-8 L.900	TUYAU D-8 L.900	ROHR D-8 L.900
25	4952004504	TUBO D-8 L.550	TUBE D-8 L.550	TUYAU D-8 L.550	ROHR D-8 L.550
26	4643067	RACCORDO "L" 3/8x3/8	3/8X3/8 L FITTING	RACCORD L 3/8x3/8	ANSCHLUSS L 3/8x3/8
27	25356	CONTRODADO OTTONE 3/8	BRASS LOCK NUT 3/8	CONTRE-ECROU LAITON 3/8	MESSING-GEGENMUTTER 3/8
28	25651	RONDELLA OTTONE 3/8	BRASS WASHER 3/8	RONDELLE LAITON 3/8	MESSINGSCHIEBE 3/8
29	15422017	RACCORDO "T" POLIPROPILENE D-10	"T" POLIPROPILENE FITTING	RACCORD "T" POLIPROPILENE	ANSCHLUSS "T" POLIPROPILENE
30	4652001175	TUBO D-8 L.43	TUBE D-8 L.43	TUYAU D-8 L.43	ROHR D-8 L.43
31	4620354001	VALVOLA CHIUSURA L.40	PRESSURE RELEASE TAP BULK UNIT L.40	CLAPET FERMETURE AUT.ARRIVEE EAU	ABSPERRVENTIL x AUT.WASSERZUFUHR L.40
32	23228025	RACCORDO DRITTO 1/4F + PORTAGOMMA	HOSE CONNECTION 1/4F D-8	PORTE-CAOUTCHOUC 1/4F D-8	GUMMIHALTER 1/4F D-8
33	15056003	FASCETTA BIFILARE A MOLLA D.11-11.6	SPRING CLAMP BI FILAR D11,00-11.6	COLLIER BIFILAIRE RESSORT D.11,00-11.6	SHELLE D.11-11,6
34	15452129	TUBO SILICONE PLATINICO 7x11 L.40	SILICON TUBE	SILICON TUYAU	SILIKON ROHR
35	4652004510	TUBO D-8 L.65	TUBE D-8 L.65	TUYAU D-8 L.65	ROHR D-8 L.65

## AEP 4GR CTS '03

Pos	Cod.	Denominazione - IT -	Denomination - GB -	Denomination - FR -	Denomination - DE -
36	15452144	TUBO SILICONE D-7x11 L.500	TUBE SILICONE D-7x11 L.500	TUYAU SILICONE D-7x11 L.500	SILIKONROHR D7x11 L.500
37	4656136004	BLOCCO DISTRIBUZIONE	DISTRIBUTION BLOCK 2-3-4GR	BLOC DISTRIBUTION 2-3-4GR	BLOCK VERTEILER 2-3-4GR
38	12007	GUARNIZIONE KLINGERSIL4400	KLINGERSIL4400 SEAL	JOINT KLINGERSIL4400	DICHTUNG KLINGER SIL4400
39	25782	TAPPO FEMMINA 1/4 GAS	1/4 GAS FEMALE TAP	BOUCHON FEMELLE 1/4 GAZ	INNENANSCHLUSSSTOPSEL 1/4 GAS
40	4952004508	TUBO D-6 L.191	TUBE D-6 L.191	TUYAU D-6 L.191	ROHR D-6 L.191
41	4625707004	RACCORDO DRITTO 1/8 con x1/4	STRAIGHT CONNECTOR 1/8 con-1/4	RACCORD 1/8 con -1/4	ANSCHLUSS 1/8 con-1/4
42	4652000617	TUBO D-6 L.115	TUBE D-6 L.115	TUYAU D-6 L.115	ROHR D-6 L.115
43	4652000955	TUBO D-4 L.850	TUBE D-4 L.850	TUYAU D-4 L.850	ROHR D-4 L.850
44	4625732100	RACCORDO 3/8Mx3/8F	FITTING 3/8Mx3/8F	RACCORD 3/8Mx3/8F	ANSCHLUSS 3/8Mx3/8F
45	10254	FILTRO ACCIAIO 160-200 MESH	STEEL FILTER 160-200 MESH	FILTRE EN ACIER 160-200 MESH	STAHLFILTER 160-200 MESH
46	12312	GUARNIZIONE OR	O RING	JOINT OR	OR DICHTUNG
47	4620361	VALVOLA S.C.N.R. REGOLABILE	ADJUSTABLE S.C.N.R. VALVE	SOUPAPE S.C.N.R. REGLABLE	EINSTELLBARES VENTIL S.N.C.R.
48	25382	DADO 1/4 FORO 9.5 OTTONE	NUT 1/4 HOLE 9.5	ECROU 1/4 TROU 9.5	SCHRAUBENMUTTER 1/4 LOCH 9.5
49	4652000851	TUBO D-8 L.45	TUBE D-8 L.45	TUYAU D-8 L.45	ROHR D-8 L.45
50	15452136	TUBO SILICONE D-7x11 L.300	TUBE SILICONE D-7x11 L.300	TUYAU SILICONE D-7x11 L.300	SILIKONROHR D7x11 L.300
51	15502002	PARATIA ROMPIGETTO VASCHETTA SCARICO	BULKHEAD	CLOISON	SCHOTT
52	15502003	VASCHETTA SCARICO BACINELLA	DRAIN PAN	DRAIN DE LA BAIGNOIRE	BADEWANNEABLAUF
53	15469001	TUBO CORRUGATO D.19 L.2000	CORRUGATED TUBE D.19 L.2000	TUYAU ONDULE D.19 L.2000	WELLPAPPE TUBE D.19 L.2000
54	4652003057	TUBO D-2 L.1000	TUBE D-2 L.1000	TUYAU D-2 L.1000	ROHR D-2 L.1000
55	12153003	GUARNIZIONE RAME 1/4 Sp.2	GASKET 1/4 Sp.2 COPPER	JOINT CUIVRE 1/4 Sp.2	KUPFERDICHTUNG 1/4 Sp.2
56	12100	GUARNIZIONE CU/ALIM 1/4 18.7x13.2x2.5	CU GASKET 1/4 18.7X13.2X2.5	JOINT CU 1/4 18.7X13.2X2.5	CU DICHTUNG 1/4 18.7x13.2x2.5



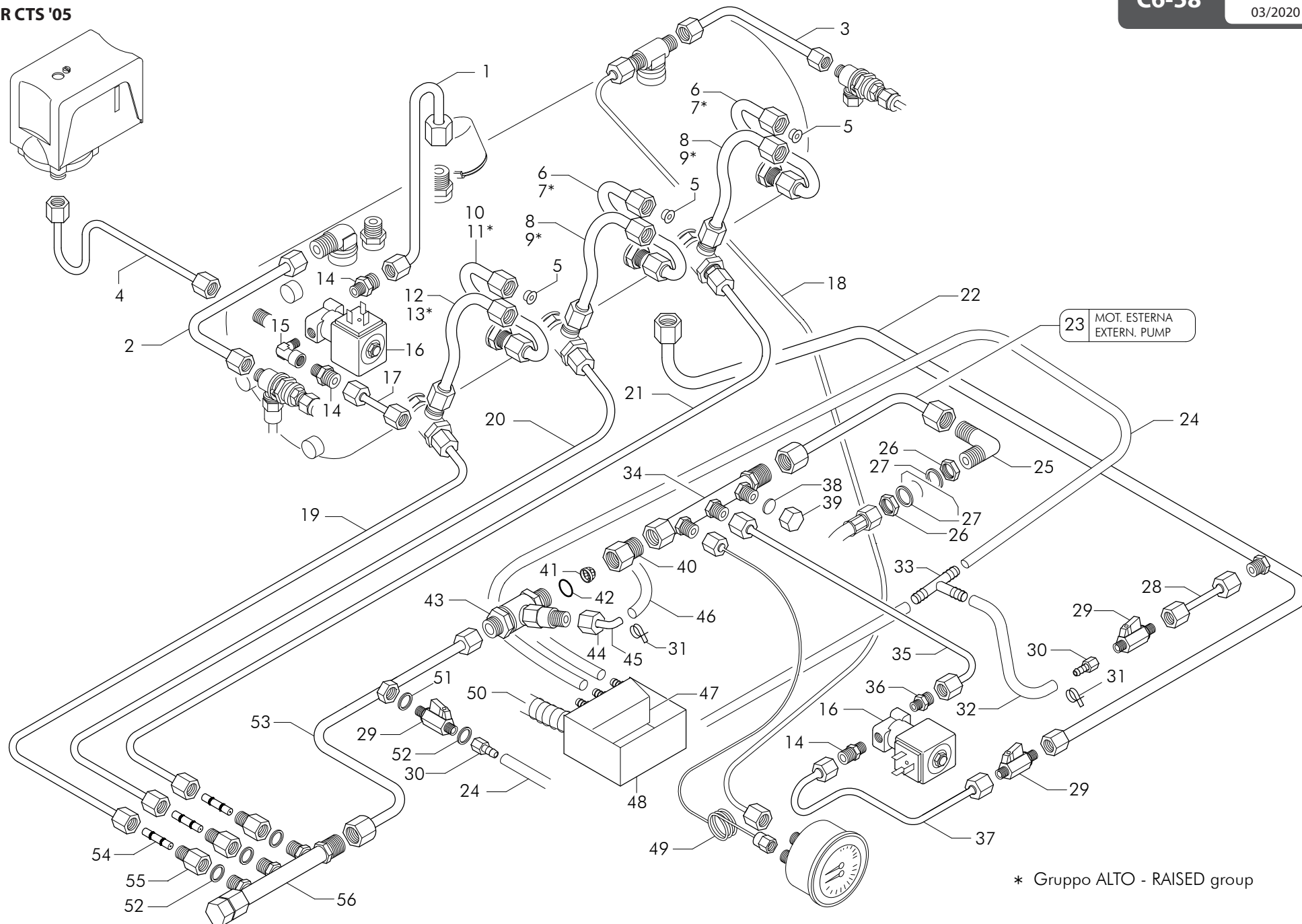
## AEP 2GR CTS '05

Pos	Cod.	Denominazione - IT -	Denomination - GB -	Denomination - FR -	Denomination - DE -
1	4952000578	TUBO D-6 L.140	TUBE D-6 L.140	TUYAU D-6 L.140	ROHR D-6 L.140
2	4952000579	TUBO D-8 L.235	TUBE D-8 L.235	TUYAU D-8 L.235	ROHR D-8 L.235
3	4952000580	TUBO D-8 L.260	TUBE D-8 L.260	TUYAU D-8 L.260	ROHR D-8 L.260
4	4652003932	TUBO D-6 L.165	TUBE D-6 L.165	TUYAU D-6 L.165	ROHR D-6 L.165
5	4923294001	STROZZATURA RICIRCOLO GR CTS D 2,5	CTS UNIT D 2,5 RECIRC. NECK	ETRANGLEMENT RECYCLAGE GR.D-2,5	ENGSTELLE UMWALZUNG D.2,5
5	4923294002	STROZZATURA RICIRCOLO GR CTS D.3	CTS UNIT D.3 RECIRC. NECK	ETRANGLEMENT RECYCLAGE GR. D.3	ENGSTELLE UMWALZUNG D.3
5	4923294003	STROZZATURA RICIRCOLO GR CTS D 4	CTS UNIT D 4 RECIRC. NECK	ETRANGLEMENT RECYCLAGE GR.D.4	ENGSTELLE UMWALZUNG D.4
5	4923294004	STROZZATURA RICIRCOLO GR CTS D 5	CTS UNIT D 5 RECIRC. NECK	ETRANGLEMENT RECYCLAGE GR.D.5	ENGSTELLE UMWALZUNG D.5
6	4952003934	TUBO D-10 L.210	TUBE D-10 L.210	TUYAU D-10 L.210	ROHR D-10 L.210
7	4952000487	TUBO D-10 L.205	TUBE D-10 L.205	TUYAU D-10 L.205	ROHR D-10 L.205
8	4952000245	TUBO D-10 L.165	TUBE D-10 L.165	TUYAU D-10 L.165	ROHR D-10 L.165
9	4952000488	TUBO D-10 L.200	TUBE D-10 L.200	TUYAU D-10 L.200	ROHR D-10 L.200
10	4952000214	TUBO D-10 L.195	TUBE D-10 L.195	TUYAU D-10 L.195	ROHR D-10 L.195
11	4952000489	TUBO D-10 L.240	TUBE D-10 L.240	TUYAU D-10 L.240	ROHR D-10 L.240
12	4952000272	TUBO D-10 L.135	TUBE D-10 L.135	TUYAU D-10 L.135	ROHR D-10 L.135
13	4952000490	TUBO D-10 L.180	TUBE D-10 L.180	TUYAU D-10 L.180	ROHR D-10 L.180
14	4625707	RACCORDO 1/8x1/4	CONNECTOR 1/8x1/4	RACCORD 1/8x1/4	ANSCHLUSS 1/8x1/4
15	4723229103	RACCORDO 1/8-1/8	CONNECTOR 1/8-1/8	RACCORD 1/8-1/8	ANSCHLUSS 1/8-1/8
16	4918162005	ELETTROVALVOLA AEA 220-240V 50-60Hz VDE	SOL.VALVE WATER REFILL 220/240 50/60HZ	ELECTROVANNE REA 220/240V 50/60Hz VDE	ELEKTROVENTIL AWZ 230/250 V 50/60 Hz VDE
17	4652002088	TUBO D-6 L.45	TUBE D-6 L.45	TUYAU D-6 L.45	ROHR D-6 L.45
18	4652000715	TUBO D-4 L.670	TUBE D-4 L.670	TUYAU D-4 L.670	ROHR D-4 L.670
19	4952000870	TUBO D-6 L.270	TUBE D-6 L.270	TUYAU D-6 L.270	ROHR D-6 L.270
20	4952000869	TUBO D-6 L.250	TUBE D-6 L.250	TUYAU D-6 L.250	ROHR D-6 L.250
21	4952004504	TUBO D-8 L.550	TUBE D-8 L.550	TUYAU D-8 L.550	ROHR D-8 L.550
22	15452159	TUBO SILICONE D-7x11 L.380	TUBE SILICONE D-7x11 L.300	TUYAU SILICONE D-7x11 L.300	SILIKONROHR D7x11 L.300
23	4643067	RACCORDO "L" 3/8x3/8	3/8X3/8 L FITTING	RACCORD L 3/8x3/8	ANSCHLUSS L 3/8x3/8
24	25356	CONTRODADO OTTONE 3/8	BRASS LOCK NUT 3/8	CONTRE-ECROU LAITON 3/8	MESSING-GEGENMUTTER 3/8
25	25651	RONDELLA OTTONE 3/8	BRASS WASHER 3/8	RONDELLE LAITON 3/8	MESSINGSCHIEBE 3/8
26	4652001590	TUBO D-6 L.28	TUBE D-6 L.28	TUYAU D-6 L.28	ROHR D-6 L.28
27	4620354001	VALVOLA CHIUSURA L.40	PRESSURE RELEASE TAP BULK UNIT L.40	CLAPET FERMETURE AUT.ARRIVEE EAU	ABSPERRVENTIL x AUT.WASSERZUFUHR L.40
28	23228025	RACCORDO DRITTO 1/4F + PORTAGOMMA	HOSE CONNECTION 1/4F D-8	PORTE-CAOUTCHOU 1/4F D-8	GUMMIHALTER 1/4F D-8
29	15056003	FASCETTA BIFILARE A MOLLA D.11-11.6	SPRING CLAMP BI FILAR D11,00-11.6	COLLIER BIFILAIRE RESSORT D.11,00-11.6	SHELLE D.11-11,6
30	15452129	TUBO SILICONE PLATINICO 7x11 L.40	SILICON TUBE	SILICON TUYAU	SILIKON ROHR
31	15422017	RACCORDO "T" POLIPROPILENE D-10	"T" POLIPROPILENE FITTING	RACCORD "T" POLIPROPILENE	ANSCHLUSS "T" POLIPROPILENE
32	4656136004	BLOCCO DISTRIBUZIONE	DISTRIBUTION BLOCK 2-3-4GR	BLOC DISTRIBUTION 2-3-4GR	BLOCK VERTEILER 2-3-4GR
33	4652000617	TUBO D-6 L.115	TUBE D-6 L.115	TUYAU D-6 L.115	ROHR D-6 L.115
34	4625707004	RACCORDO DRITTO 1/8 con x1/4	STRAIGHT CONNECTOR 1/8 con-1/4	RACCORD 1/8 con -1/4	ANSCHLUSS 1/8 con-1/4
35	4952004508	TUBO D-6 L.191	TUBE D-6 L.191	TUYAU D-6 L.191	ROHR D-6 L.191

## AEP 2GR CTS '05

Pos	Cod.	Denominazione - IT -	Denomination - GB -	Denomination - FR -	Denomination - DE -
36	12007	GUARNIZIONE KLINGERSIL4400	KLINGERSIL4400 SEAL	JOINT KLINGERSIL4400	DICHTUNG KLINGER SIL4400
37	25782	TAPPO FEMMINA 1/4 GAS	1/4 GAS FEMALE TAP	BOUCHON FEMELLE 1/4 GAZ	INNENANSCHLUSSSTOPSEL 1/4 GAS
38	4925732100	RACCORDO 3/8Mx3/8F + SEDE FILTRO	FITTING 3/8Mx3/8F	RACCORD 3/8Mx3/8F	ANSCHLUSS 3/8Mx3/8F
39	10254	FILTRO ACCIAIO 160-200 MESH	STEEL FILTER 160-200 MESH	FILTRE EN ACIER 160-200 MESH	STAHLFILTER 160-200 MESH
40	12312	GUARNIZIONE OR	O RING	JOINT OR	OR DICHTUNG
41	4620361	VALVOLA S.C.N.R. REGOLABILE	ADJUSTABLE S.C.N.R. VALVE	SOUPAPE S.C.N.R. REGLABLE	EINSTELLBARES VENTIL S.N.C.R.
42	25382	DADO 1/4 FORO 9.5 OTTONE	NUT 1/4 HOLE 9.5	ECROU 1/4 TROU 9.5	SCHRAUBENMUTTER 1/4 LOCH 9.5
43	4652000851	TUBO D-8 L.45	TUBE D-8 L.45	TUYAU D-8 L.45	ROHR D-8 L.45
44	15452136	TUBO SILICONE D-7x11 L.300	TUBE SILICONE D-7x11 L.300	TUYAU SILICONE D-7x11 L.300	SILIKONROHR D7x11 L.300
45	15502002	PARATIA ROMPIGETTO VASCHETTA SCARICO	BULKHEAD	CLOISON	SCHOTT
46	15502003	VASCHETTA SCARICO BACINELLA	DRAIN PAN	DRAIN DE LA BAIGNOIRE	BADEWANNEABLAUF
47	4652003055	TUBO D-2 L.500	TUBE D-2 L.500	TUYAU D-2 L.500	ROHR D-2 L.500
48	15469001	TUBO CORRUGATO D.19 L.2000	CORRUGATED TUBE D.19 L.2000	TUYAU ONDULE D.19 L.2000	WELLPAPPE TUBE D.19 L.2000
49	12100	GUARNIZIONE CU/ALIM 1/4 18.7x13.2x2.5	CU GASKET 1/4 18.7X13.2X2.5	JOINT CU 1/4 18.7X13.2X2.5	CU DICHTUNG 1/4 18.7x13.2x2.5
50	12153003	GUARNIZIONE RAME 1/4 Sp.2	GASKET 1/4 Sp.2 COPPER	JOINT CUIVRE 1/4 Sp.2	KUPFERDICHTUNG 1/4 Sp.2
51	4952000872	TUBO D-8 L.145	TUBE D-8 L.145	TUYAU D-8 L.145	ROHR D-8 L.145
52	25789321	GICLEUR D.0,5 INOX	GIGLEUR 0,5	GICLEUR D-0,5	DUSE D-0,5
53	4625751050	RACCORDO 1/4M-1/4F	FITTING 1/4-1/4	RACCORD 1/4-1/4	ANSCHLUSS 1/4-1/4
54	4656136005	ASSIEME BLOCCO DISTRIBUZ.2-4GR	DISTRIBUTION BLOCK 2-4GR	BLOC DISTRIBUTION 2-4GR	BLOCK VERTEILER 2-4GR
55	4652004510	TUBO D-8 L.65	TUBE D-8 L.65	TUYAU D-8 L.65	ROHR D-8 L.65





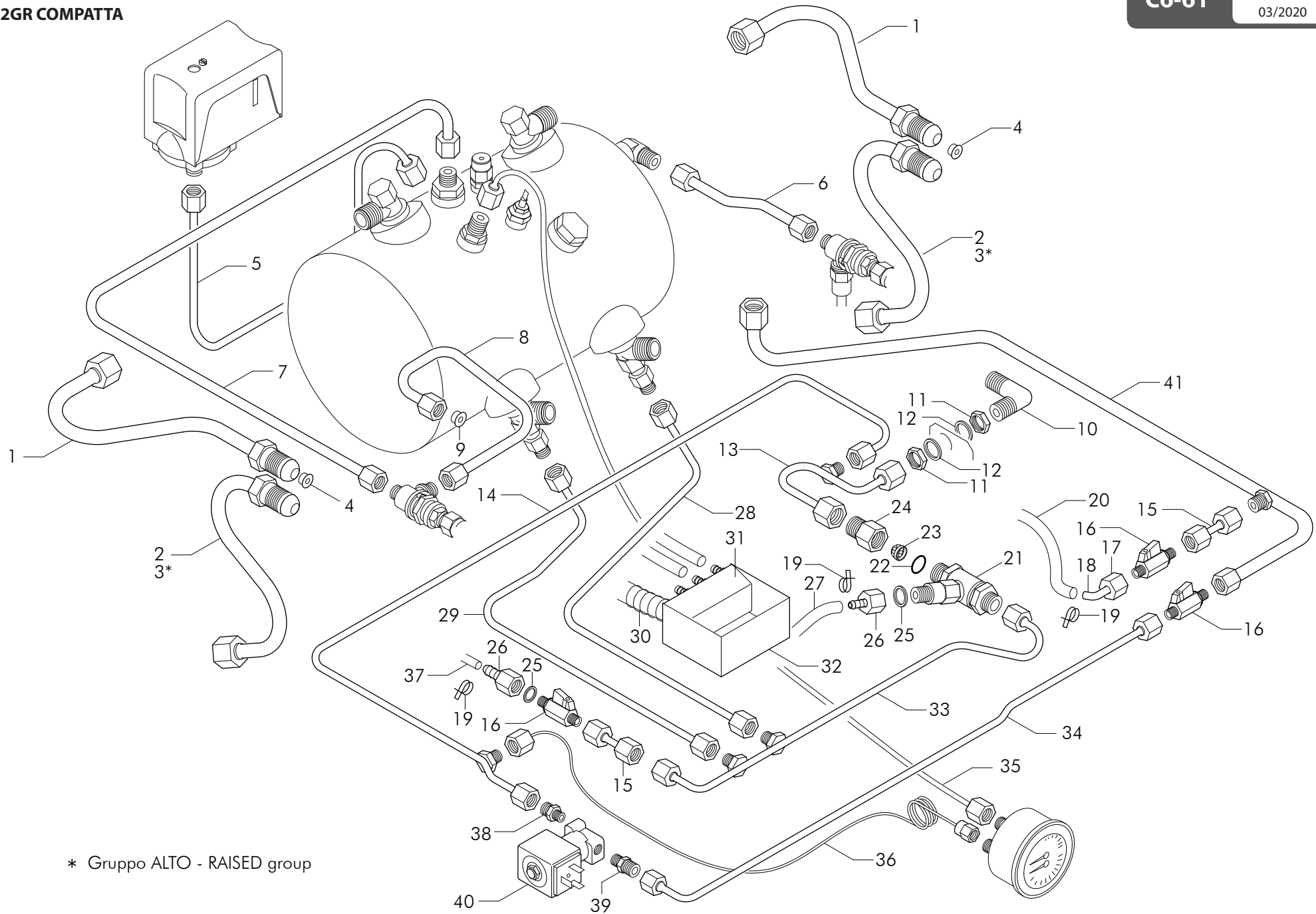
\* Gruppo ALTO - RAISED group

## AEP 3GR CTS '05

Pos	Cod.	Denominazione - IT -	Denomination - GB -	Denomination - FR -	Denomination - DE -
1	4952000578	TUBO D-6 L.140	TUBE D-6 L.140	TUYAU D-6 L.140	ROHR D-6 L.140
2	4952000579	TUBO D-8 L.235	TUBE D-8 L.235	TUYAU D-8 L.235	ROHR D-8 L.235
3	4952004502	TUBO D-8 L.320	TUBE D-8 L.320	TUYAU D-8 L.320	ROHR D-8 L.320
4	4652003932	TUBO D-6 L.165	TUBE D-6 L.165	TUYAU D-6 L.165	ROHR D-6 L.165
5	4923294001	STROZZATURA RICIRCOLO GR CTS D 2,5	CTS UNIT D 2,5 RECIRC. NECK	ETRANGLEMENT RECYCLAGE GR.D-2,5	ENGSTELLE UMWALZUNG D.2,5
5	4923294002	STROZZATURA RICIRCOLO GR CTS D.3	CTS UNIT D.3 RECIRC. NECK	ETRANGLEMENT RECYCLAGE GR. D.3	ENGSTELLE UMWALZUNG D.3
5	4923294003	STROZZATURA RICIRCOLO GR CTS D 4	CTS UNIT D 4 RECIRC. NECK	ETRANGLEMENT RECYCLAGE GR.D.4	ENGSTELLE UMWALZUNG D.4
5	4923294004	STROZZATURA RICIRCOLO GR CTS D 5	CTS UNIT D 5 RECIRC. NECK	ETRANGLEMENT RECYCLAGE GR.D.5	ENGSTELLE UMWALZUNG D.5
6	4952003934	TUBO D-10 L.210	TUBE D-10 L.210	TUYAU D-10 L.210	ROHR D-10 L.210
7	4952000487	TUBO D-10 L.205	TUBE D-10 L.205	TUYAU D-10 L.205	ROHR D-10 L.205
8	4952000245	TUBO D-10 L.165	TUBE D-10 L.165	TUYAU D-10 L.165	ROHR D-10 L.165
9	4952000488	TUBO D-10 L.200	TUBE D-10 L.200	TUYAU D-10 L.200	ROHR D-10 L.200
10	4952000214	TUBO D-10 L.195	TUBE D-10 L.195	TUYAU D-10 L.195	ROHR D-10 L.195
11	4952000489	TUBO D-10 L.240	TUBE D-10 L.240	TUYAU D-10 L.240	ROHR D-10 L.240
12	4952000272	TUBO D-10 L.135	TUBE D-10 L.135	TUYAU D-10 L.135	ROHR D-10 L.135
13	4952000490	TUBO D-10 L.180	TUBE D-10 L.180	TUYAU D-10 L.180	ROHR D-10 L.180
14	4625707	RACCORDO 1/8x1/4	CONNECTOR 1/8x1/4	RACCORD 1/8x1/4	ANSCHLUSS 1/8x1/4
15	4723229103	RACCORDO 1/8-1/8	CONNECTOR 1/8-1/8	RACCORD 1/8-1/8	ANSCHLUSS 1/8-1/8
16	4918162005	ELETTROVALVOLA AEA 220-240V 50-60Hz VDE	SOL.VALVE WATER REFILL 220/240 50/60HZ	ELECTROVANNE REA 220/240V 50/60Hz VDE	ELEKTROVENTIL AWZ 230/250 V 50/60 Hz VDE
17	4652002088	TUBO D-6 L.45	TUBE D-6 L.45	TUYAU D-6 L.45	ROHR D-6 L.45
18	4652000719	TUBO D-4 L.780	TUBE D-4 L.780	TUYAU D-4 L.780	ROHR D-4 L.780
19	4952000869	TUBO D-6 L.250	TUBE D-6 L.250	TUYAU D-6 L.250	ROHR D-6 L.250
20	4952000870	TUBO D-6 L.270	TUBE D-6 L.270	TUYAU D-6 L.270	ROHR D-6 L.270
21	4952000874	TUBO D-6 L.450	TUBE D-6 L.450	TUYAU D-6 L.450	ROHR D-6 L.450
22	4952004504	TUBO D-8 L.550	TUBE D-8 L.550	TUYAU D-8 L.550	ROHR D-8 L.550
23	4652004510	TUBO D-8 L.65	TUBE D-8 L.65	TUYAU D-8 L.65	ROHR D-8 L.65
24	15452144	TUBO SILICONE D-7x11 L.500	TUBE SILICONE D-7x11 L.500	TUYAU SILICONE D-7x11 L.500	SILIKONROHR D7x11 L.500
25	4643067	RACCORDO "L" 3/8x3/8	3/8X3/8 L FITTING	RACCORD L 3/8x3/8	ANSCHLUSS L 3/8x3/8
26	25356	CONTRODADO OTTONE 3/8	BRASS LOCK NUT 3/8	CONTRE-ECROU LAITON 3/8	MESSING-GEGENMUTTER 3/8
27	25651	RONDELLA OTTONE 3/8	BRASS WASHER 3/8	RONDELLE LAITON 3/8	MESSINGSCHLEIBE 3/8
28	4652001590	TUBO D-6 L.28	TUBE D-6 L.28	TUYAU D-6 L.28	ROHR D-6 L.28
29	4620354001	VALVOLA CHIUSURA L.40	PRESSURE RELEASE TAP BULK UNIT L.40	CLAPET FERMETURE AUT.ARRIVEE EAU	ABSPERRVENTIL x AUT.WASSERZUFUHR L.40
30	23228025	RACCORDO DRITTO 1/4F + PORTAGOMMA	HOSE CONNECTION 1/4F D-8	PORTE-CAOUTCHOU 1/4F D-8	GUMMIHALTER 1/4F D-8
31	15056003	FASCETTA BIFILARE A MOLLA D.11-11.6	SPRING CLAMP BI FILAR D11,00-11.6	COLLIER BIFILAIRE RESSORT D.11,00-11.6	SHELLE D.11-11,6
32	15452129	TUBO SILICONE PLATINICO 7x11 L.40	SILICON TUBE	SILICON TUYAU	SILIKON ROHR
33	15422017	RACCORDO "T" POLIPROPILENE D-10	"T" POLIPROPILENE FITTING	RACCORD "T" POLIPROPILENE	ANSCHLUSS "T" POLIPROPILENE
34	4656136004	BLOCCO DISTRIBUZIONE	DISTRIBUTION BLOCK 2-3-4GR	BLOC DISTRIBUTION 2-3-4GR	BLOCK VERTEILER 2-3-4GR
35	4652000617	TUBO D-6 L.115	TUBE D-6 L.115	TUYAU D-6 L.115	ROHR D-6 L.115

## AEP 3GR CTS '05

Pos	Cod.	Denominazione - IT -	Denomination - GB -	Denomination - FR -	Denomination - DE -
36	4625707004	RACCORDO DRITTO 1/8 con x1/4	STRAIGHT CONNECTOR 1/8 con-1/4	RACCORD 1/8 con -1/4	ANSCHLUSS 1/8 con-1/4
37	4952004508	TUBO D-6 L.191	TUBE D-6 L.191	TUYAU D-6 L.191	ROHR D-6 L.191
38	12007	GUARNIZIONE KLINGERSIL4400	KLINGERSIL4400 SEAL	JOINT KLINGERSIL4400	DICHTUNG KLINGER SIL4400
39	25782	TAPPO FEMMINA 1/4 GAS	1/4 GAS FEMALE TAP	BOUCHON FEMELLE 1/4 GAZ	INNENANSCHLUSSSTOPSEL 1/4 GAS
40	4625732100	RACCORDO 3/8Mx3/8F	FITTING 3/8Mx3/8F	RACCORD 3/8Mx3/8F	ANSCHLUSS 3/8Mx3/8F
41	10254	FILTRO ACCIAIO 160-200 MESH	STEEL FILTER 160-200 MESH	FILTRE EN ACIER 160-200 MESH	STAHLFILTER 160-200 MESH
42	12312	GUARNIZIONE OR	O RING	JOINT OR	OR DICHTUNG
43	4620361	VALVOLA S.C.N.R. REGOLABILE	ADJUSTABLE S.C.N.R. VALVE	SOUPAPE S.C.N.R. REGLABLE	EINSTELLBARES VENTIL S.N.C.R.
44	25382	DADO 1/4 FORO 9.5 OTTONE	NUT 1/4 HOLE 9.5	ECROU 1/4 TROU 9.5	SCHRAUBENMUTTER 1/4 LOCH 9.5
45	4652000851	TUBO D-8 L.45	TUBE D-8 L.45	TUYAU D-8 L.45	ROHR D-8 L.45
46	15452136	TUBO SILICONE D-7x11 L.300	TUBE SILICONE D-7x11 L.300	TUYAU SILICONE D-7x11 L.300	SILIKONROHR D7x11 L.300
47	15502002	PARATIA ROMPIGETTO VASCHETTA SCARICO	BULKHEAD	CLOISON	SCHOTT
48	15502003	VASCHETTA SCARICO BACINELLA	DRAIN PAN	DRAIN DE LA BAIGNOIRE	BADEWANNEABLAUF
49	4652003057	TUBO D-2 L.1000	TUBE D-2 L.1000	TUYAU D-2 L.1000	ROHR D-2 L.1000
50	15469001	TUBO CORRUGATO D.19 L.2000	CORRUGATED TUBE D.19 L.2000	TUYAU ONDULE D.19 L.2000	WELLPAPPE TUBE D.19 L.2000
51	12100	GUARNIZIONE CU/ALIM 1/4 18.7x13.2x2.5	CU GASKET 1/4 18.7X13.2X2.5	JOINT CU 1/4 18.7X13.2X2.5	CU DICHTUNG 1/4 18.7x13.2x2.5
52	12153003	GUARNIZIONE RAME 1/4 Sp.2	GASKET 1/4 Sp.2 COPPER	JOINT CUIVRE 1/4 Sp.2	KUPFERDICHTUNG 1/4 Sp.2
53	4952000875	TUBO D-8 L.395	TUBE D-8 L.395	TUYAU D-8 L.395	ROHR D-8 L.395
54	25789321	GICLEUR D.0,5 INOX	GIGLEUR 0,5	GICLEUR D-0,5	DUSE D-0,5
55	4625751050	RACCORDO 1/4M-1/4F	FITTING 1/4-1/4	RACCORD 1/4-1/4	ANSCHLUSS 1/4-1/4
56	4656136005	ASSIEME BLOCCO DISTRIBUZ.2-4GR	DISTRIBUTION BLOCK 2-4GR	BLOC DISTRIBUTION 2-4GR	BLOCK VERTEILER 2-4GR



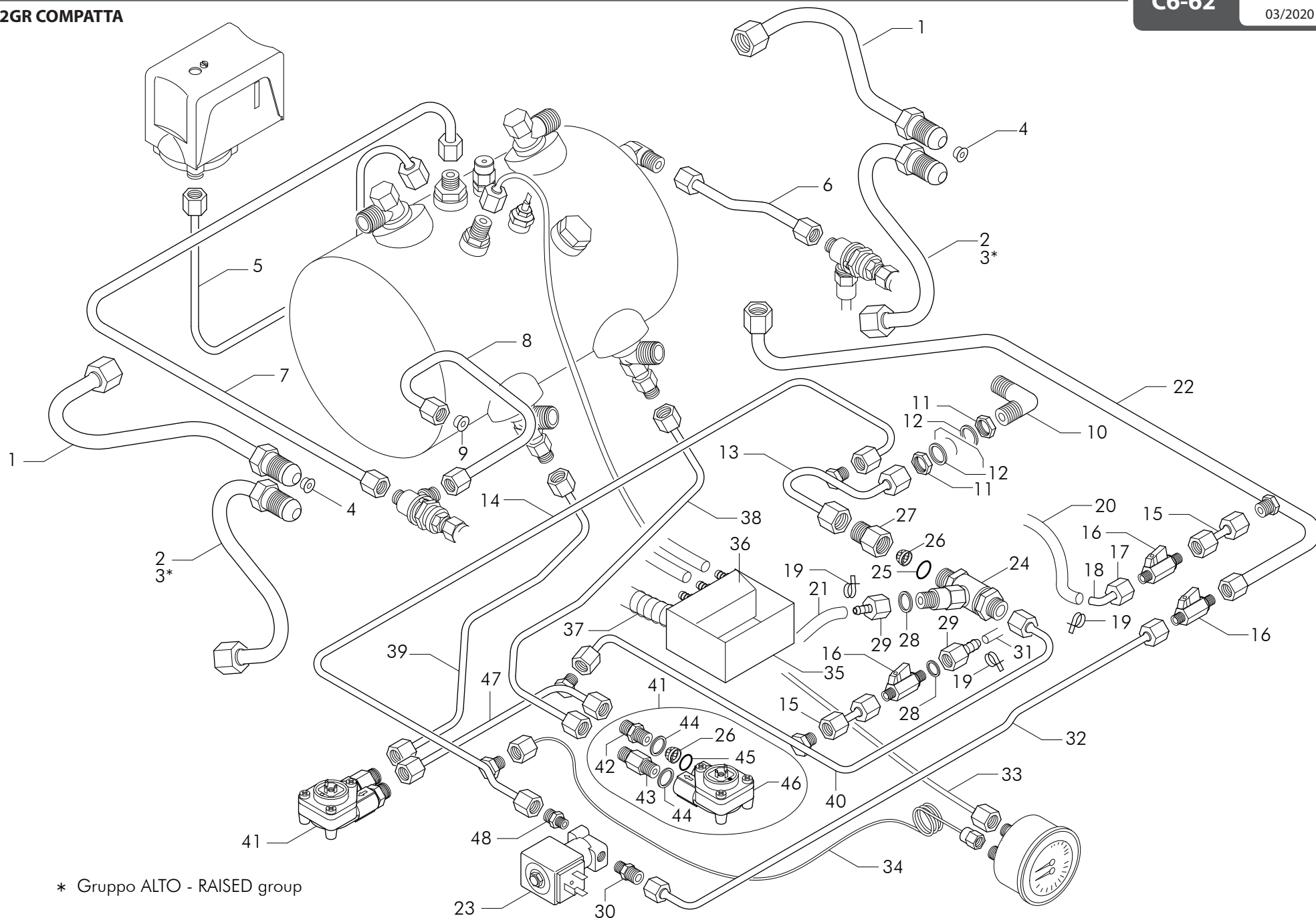
\* Gruppo ALTO - RAISED group

## AEP 2GR COMPATTA

Pos	Cod.	Denominazione - IT -	Denomination - GB -	Denomination - FR -	Denomination - DE -
1	4952001202	TUBO D-10 L.250	TUBE D-10 L.250	TUYAU D-10 L.250	ROHR D-10 L.250
2	4952000933	TUBO D-10 L.250	TUBE D-10 L.250	TUYAU D-10 L.250	ROHR D-10 L.250
3	4952000928	TUBO D-10 L.315	TUBE D-10 L.315	TUYAU D-10 L.315	ROHR D-10 L.315
4	4923294001	STROZZATURA RICIRCOLO GR CTS D 2,5	CTS UNIT D 2,5 RECIRC. NECK	ETRANGLEMENT RECYCLAGE GR.D-2,5	ENGSTELLE UMWALZUNG D.2,5
4	4923294002	STROZZATURA RICIRCOLO GR CTS D.3	CTS UNIT D.3 RECIRC. NECK	ETRANGLEMENT RECYCLAGE GR. D.3	ENGSTELLE UMWALZUNG D.3
4	4923294003	STROZZATURA RICIRCOLO GR CTS D 4	CTS UNIT D 4 RECIRC. NECK	ETRANGLEMENT RECYCLAGE GR.D.4	ENGSTELLE UMWALZUNG D.4
4	4923294004	STROZZATURA RICIRCOLO GR CTS D 5	CTS UNIT D 5 RECIRC. NECK	ETRANGLEMENT RECYCLAGE GR.D.5	ENGSTELLE UMWALZUNG D.5
5	4952000926	TUBO D-6 L.370	TUBE D-6 L.370	TUYAU D-6 L.370	ROHR D-6 L.370
6	4952000899	TUBO D-8 L.355	TUBE D-8 L.355	TUYAU D-8 L.355	ROHR D-8 L.355
7	4952000898	TUBO D-8 L.355	TUBE D-8 L.355	TUYAU D-8 L.355	ROHR D-8 L.355
8	4652000920	TUBO D-8 L.300	TUBE D-8 L.300	TUYAU D-8 L.300	ROHR D-8 L.300
9	4923295103	STROZZATURA OTTONE Ø1,5	NECK D-1.5	ETRANGLEMENT D-1,5	UMWALZUNG D-1,5
10	4643067	RACCORDO "L" 3/8x3/8	3/8X3/8 L FITTING	RACCORD L 3/8x3/8	ANSCHLUSS L 3/8x3/8
11	25356	CONTRODADO OTTONE 3/8	BRASS LOCK NUT 3/8	CONTRE-ECROU LAITON 3/8	MESSING-GEGENMUTTER 3/8
12	25651	RONDELLA OTTONE 3/8	BRASS WASHER 3/8	RONDELLE LAITON 3/8	MESSINGSCHIEBE 3/8
13	4652000897	TUBO D-6 L.140	TUBE D-6 L.140	TUYAU D-6 L.140	ROHR D-6 L.140
14	4652000892	TUBO D-6 L.605	TUBE D-6 L.605	TUYAU D-6 L.605	ROHR D-6 L.605
15	4652001590	TUBO D-6 L.28	TUBE D-6 L.28	TUYAU D-6 L.28	ROHR D-6 L.28
16	4620354001	VALVOLA CHIUSURA L.40	PRESSURE RELEASE TAP BULK UNIT L.40	CLAPET FERMETURE AUT.ARRIVEE EAU	ABSPERRVENTIL x AUT.WASSERZUFUHR L.40
17	25382	DADO 1/4 FORO 9.5 OTTONE	NUT 1/4 HOLE 9.5	ECROU 1/4 TROU 9.5	SCHRAUBENMUTTER 1/4 LOCH 9.5
18	4652000851	TUBO D-8 L.45	TUBE D-8 L.45	TUYAU D-8 L.45	ROHR D-8 L.45
19	15056003	FASCETTA BIFILARE A MOLLA D.11-11.6	SPRING CLAMP BI FILAR D11,00-11.6	COLLIER BIFILAIRE RESSORT D.11,00-11.6	SHELLE D.11-11,6
20	15452160	TUBO SILICONE D-7x11 L.220	TUBE SILICONE D-7x11 L.220	TUYAU SILICONE D-7x11 L.220	SILIKONROHR D7x11 L.220
21	4620361	VALVOLA S.C.N.R. REGOLABILE	ADJUSTABLE S.C.N.R. VALVE	SOUPAPE S.C.N.R. REGLABLE	EINSTELLBARES VENTIL S.N.C.R.
22	12312	GUARNIZIONE OR	O RING	JOINT OR	OR DICHTUNG
23	10254	FILTRO ACCIAIO 160-200 MESH	STEEL FILTER 160-200 MESH	FILTRE EN ACIER 160-200 MESH	STAHLFILTER 160-200 MESH
24	4625732100	RACCORDO 3/8Mx3/8F	FITTING 3/8Mx3/8F	RACCORD 3/8Mx3/8F	ANSCHLUSS 3/8Mx3/8F
25	12153003	GUARNIZIONE RAME 1/4 Sp.2	GASKET 1/4 Sp.2 COPPER	JOINT CUIVRE 1/4 Sp.2	KUPFERDICHTUNG 1/4 Sp.2
26	23228025	RACCORDO DRITTO 1/4F + PORTAGOMMA	HOSE CONNECTION 1/4F D-8	PORTE-CAOUTCHOUC 1/4F D-8	GUMMIHALTER 1/4F D-8
27	15452117	TUBO SILICONE PLATINICO 7x11 L.450	SILICON TUBE 7x11 L.450	TUBE EN SILICONE 7x11 L.450	ROHR SILIKON 7x11 L.450
28	4652000929	TUBO D-6 L.295	TUBE D-6 L.295	TUYAU D-6 L.295	ROHR D-6 L.295
29	4652000930	TUBO D-6 L.190	TUBE D-6 L.190	TUYAU D-6 L.190	ROHR D-6 L.190
30	15469001	TUBO CORRUGATO D.19 L.2000	CORRUGATED TUBE D.19 L.2000	TUYAU ONDULE D.19 L.2000	WELLPAPPE TUBE D.19 L.2000
31	15502002	PARATIA ROMPIGETTO VASCHETTA SCARICO	BULKHEAD	CLOISON	SCHOTT
32	15502003	VASCHETTA SCARICO BACINELLA	DRAIN PAN	DRAIN DE LA BAIGNOIRE	BADEWANNEABLAUF
33	4652000922	TUBO D-6 L.255	TUBE D-6 L.255	TUYAU D-6 L.255	ROHR D-6 L.255
34	4952000934	TUBO D-8 L.535	TUBE D-8 L.535	TUYAU D-8 L.535	ROHR D-8 L.535
35	4652000927	TUBO D-4 L.640	TUBE D-4 L.640	TUYAU D-4 L.640	ROHR D-4 L.640

## AEP 2GR COMPATTA

Pos	Cod.	Denominazione - IT -	Denomination - GB -	Denomination - FR -	Denomination - DE -
36	4652003055	TUBO D-2 L.500	TUBE D-2 L.500	TUYAU D-2 L.500	ROHR D-2 L.500
37	15452159	TUBO SILICONE D-7x11 L.380	TUBE SILICONE D-7x11 L.300	TUYAU SILICONE D-7x11 L.300	SILIKONROHR D7x11 L.300
38	4625707004	RACCORDO DRITTO 1/8 con x1/4	STRAIGHT CONNECTOR 1/8 con-1/4	RACCORD 1/8 con -1/4	ANSCHLUSS 1/8 con-1/4
39	4625707	RACCORDO 1/8x1/4	CONNECTOR 1/8x1/4	RACCORD 1/8x1/4	ANSCHLUSS 1/8x1/4
40	4918162005	ELETTROVALVOLA AEA 220-240V 50-60Hz VDE	SOL.VALVE WATER REFILL 220/240 50/60HZ	ELECTROVANNE REA 220/240V 50/60Hz VDE	ELEKTROVENTIL AWZ 230/250 V 50/60 Hz VDE
41	4652000893	TUBO D-6 L.280	TUBE D-6 L.280	TUYAU D-6 L.280	ROHR D-6 L.280



\* Gruppo ALTO - RAISED group

## SAE 2GR COMPATTA

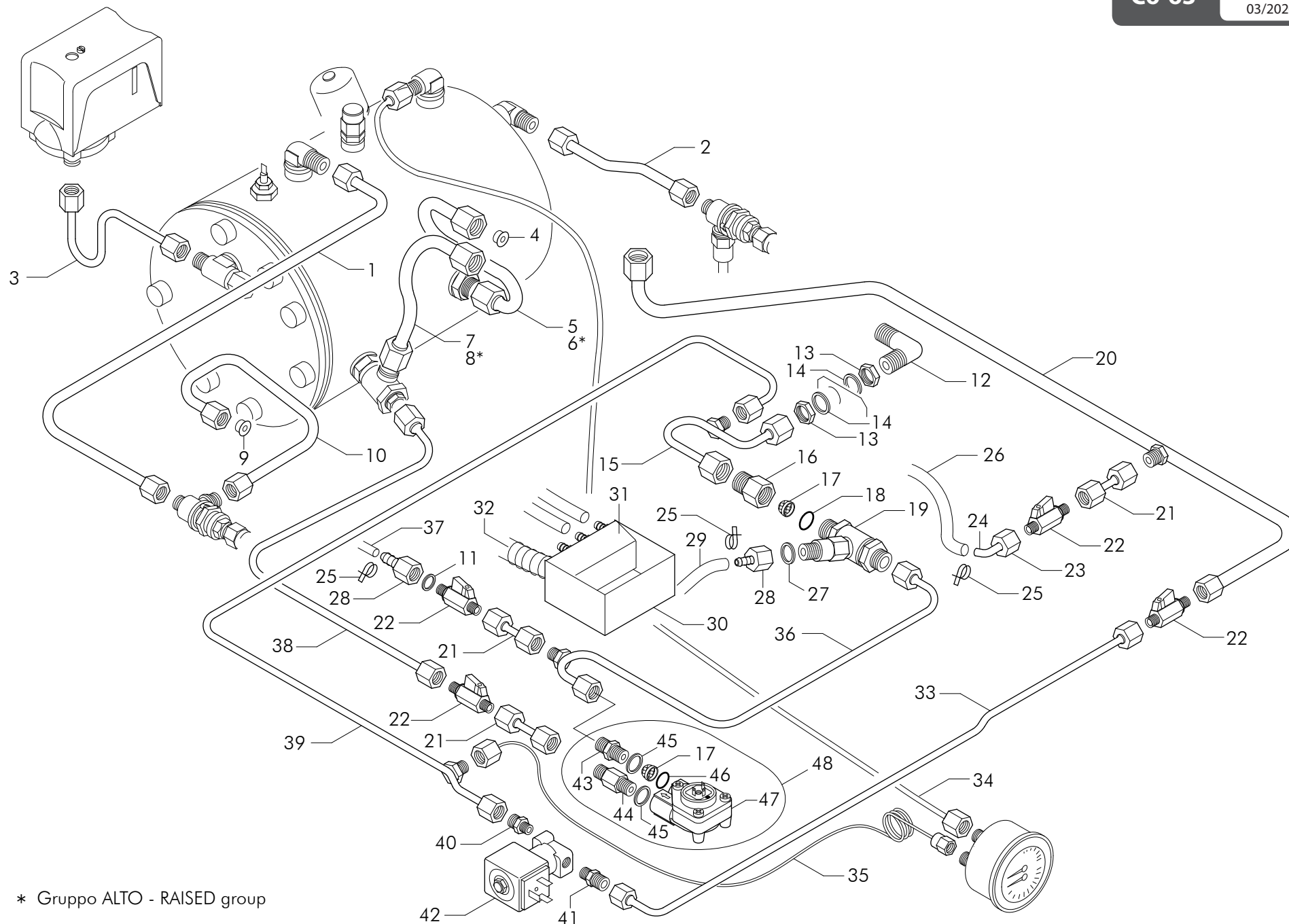
Pos	Cod.	Denominazione - IT -	Denomination - GB -	Denomination - FR -	Denomination - DE -
1	4952001202	TUBO D-10 L.250	TUBE D-10 L.250	TUYAU D-10 L.250	ROHR D-10 L.250
2	4952000933	TUBO D-10 L.250	TUBE D-10 L.250	TUYAU D-10 L.250	ROHR D-10 L.250
3	4952000928	TUBO D-10 L.315	TUBE D-10 L.315	TUYAU D-10 L.315	ROHR D-10 L.315
4	4923294001	STROZZATURA RICIRCOLO GR CTS D 2,5	CTS UNIT D 2,5 RECIRC. NECK	ETRANGLEMENT RECYCLAGE GR.D-2,5	ENGSTELLE UMWALZUNG D.2,5
4	4923294002	STROZZATURA RICIRCOLO GR CTS D.3	CTS UNIT D.3 RECIRC. NECK	ETRANGLEMENT RECYCLAGE GR. D.3	ENGSTELLE UMWALZUNG D.3
4	4923294003	STROZZATURA RICIRCOLO GR CTS D 4	CTS UNIT D 4 RECIRC. NECK	ETRANGLEMENT RECYCLAGE GR.D.4	ENGSTELLE UMWALZUNG D.4
4	4923294004	STROZZATURA RICIRCOLO GR CTS D 5	CTS UNIT D 5 RECIRC. NECK	ETRANGLEMENT RECYCLAGE GR.D.5	ENGSTELLE UMWALZUNG D.5
5	4952000926	TUBO D-6 L.370	TUBE D-6 L.370	TUYAU D-6 L.370	ROHR D-6 L.370
6	4952000899	TUBO D-8 L.355	TUBE D-8 L.355	TUYAU D-8 L.355	ROHR D-8 L.355
7	4952000898	TUBO D-8 L.355	TUBE D-8 L.355	TUYAU D-8 L.355	ROHR D-8 L.355
8	4652000920	TUBO D-8 L.300	TUBE D-8 L.300	TUYAU D-8 L.300	ROHR D-8 L.300
9	4923295103	STROZZATURA OTTONE Ø1,5	NECK D-1.5	ETRANGLEMENT D-1,5	UMWALZUNG D-1,5
10	4643067	RACCORDO "L" 3/8x3/8	3/8X3/8 L FITTING	RACCORD L 3/8x3/8	ANSCHLUSS L 3/8x3/8
11	25356	CONTRODADO OTTONE 3/8	BRASS LOCK NUT 3/8	CONTRE-ECROU LAITON 3/8	MESSING-GEGENMUTTER 3/8
12	25651	RONDELLA OTTONE 3/8	BRASS WASHER 3/8	RONDELLE LAITON 3/8	MESSINGSCHIEBE 3/8
13	4652000897	TUBO D-6 L.140	TUBE D-6 L.140	TUYAU D-6 L.140	ROHR D-6 L.140
14	4652000892	TUBO D-6 L.605	TUBE D-6 L.605	TUYAU D-6 L.605	ROHR D-6 L.605
15	4652001590	TUBO D-6 L.28	TUBE D-6 L.28	TUYAU D-6 L.28	ROHR D-6 L.28
16	4620354001	VALVOLA CHIUSURA L.40	PRESSURE RELEASE TAP BULK UNIT L.40	CLAPET FERMETURE AUT.ARRIVEE EAU	ABSPERRVENTIL x AUT.WASSERZUFUHR L.40
17	25382	DADO 1/4 FORO 9.5 OTTONE	NUT 1/4 HOLE 9.5	ECROU 1/4 TROU 9.5	SCHRAUBENMUTTER 1/4 LOCH 9.5
18	4652000851	TUBO D-8 L.45	TUBE D-8 L.45	TUYAU D-8 L.45	ROHR D-8 L.45
19	15056003	FASCETTA BIFILARE A MOLLA D.11-11.6	SPRING CLAMP BI FILAR D11,00-11.6	COLLIER BIFILAIRE RESSORT D.11,00-11.6	SCHELLE D.11-11,6
20	15452160	TUBO SILICONE D-7x11 L.220	TUBE SILICONE D-7x11 L.220	TUYAU SILICONE D-7x11 L.220	SILIKONROHR D7x11 L.220
21	15452117	TUBO SILICONE PLATINICO 7x11 L.450	SILICON TUBE 7x11 L.450	TUBE EN SILICONE 7x11 L.450	ROHR SILIKON 7x11 L.450
22	4652000893	TUBO D-6 L.280	TUBE D-6 L.280	TUYAU D-6 L.280	ROHR D-6 L.280
23	4918162005	ELETTROVALVOLA AEA 220-240V 50-60Hz VDE	SOL.VALVE WATER REFILL 220/240 50/60HZ	ELECTROVANNE REA 220/240V 50/60Hz VDE	ELEKTROVENTIL AWZ 230/250 V 50/60 Hz VDE
24	4620361	VALVOLA S.C.N.R. REGOLABILE	ADJUSTABLE S.C.N.R. VALVE	SOUPAPE S.C.N.R. REGLABLE	EINSTELLBARES VENTIL S.N.C.R.
25	12312	GUARNIZIONE OR	O RING	JOINT OR	OR DICHTUNG
26	10254	FILTRO ACCIAIO 160-200 MESH	STEEL FILTER 160-200 MESH	FILTRE EN ACIER 160-200 MESH	STAHLFILTER 160-200 MESH
27	4625732100	RACCORDO 3/8Mx3/8F	FITTING 3/8Mx3/8F	RACCORD 3/8Mx3/8F	ANSCHLUSS 3/8Mx3/8F
28	12153003	GUARNIZIONE RAME 1/4 Sp.2	GASKET 1/4 Sp.2 COPPER	JOINT CUIVRE 1/4 Sp.2	KUPFERDICHTUNG 1/4 Sp.2
29	23228025	RACCORDO DRITTO 1/4F + PORTAGOMMA	HOSE CONNECTION 1/4F D-8	PORTE-CAOUTCHOU 1/4F D-8	GUMMIHALTER 1/4F D-8
30	4625707	RACCORDO 1/8x1/4	CONNECTOR 1/8x1/4	RACCORD 1/8x1/4	ANSCHLUSS 1/8x1/4
31	15452159	TUBO SILICONE D-7x11 L.380	TUBE SILICONE D-7x11 L.380	TUYAU SILICONE D-7x11 L.380	SILIKONROHR D7x11 L.380
32	4952000934	TUBO D-8 L.535	TUBE D-8 L.535	TUYAU D-8 L.535	ROHR D-8 L.535
33	4652000927	TUBO D-4 L.640	TUBE D-4 L.640	TUYAU D-4 L.640	ROHR D-4 L.640
34	4652003055	TUBO D-2 L.500	TUBE D-2 L.500	TUYAU D-2 L.500	ROHR D-2 L.500
35	15502003	VASCHETTA SCARICO BACINELLA	DRAIN PAN	DRAIN DE LA BAIGNOIRE	BADEWANNEABLAUF



## SAE 2GR COMPATTA

Pos	Cod.	Denominazione - IT -	Denomination - GB -	Denomination - FR -	Denomination - DE -
36	15502002	PARATIA ROMPIGETTO VASCHETTA SCARICO	BULKHEAD	CLOISON	SCHOTT
37	15469001	TUBO CORRUGATO D.19 L.2000	CORRUGATED TUBE D.19 L.2000	TUYAU ONDULE D.19 L.2000	WELLPAPPE TUBE D.19 L.2000
38	4652000924	TUBO D-6 L.310	TUBE D-6 L.310	TUYAU D-6 L.310	ROHR D-6 L.310
39	4652000925	TUBO D-6 L.165	TUBE D-6 L.165	TUYAU D-6 L.165	ROHR D-6 L.165
40	4652000921	TUBO D-6 L.305	TUBE D-6 L.305	TUYAU D-6 L.305	ROHR D-6 L.305
41	4956122000	ASSIEME DOSATORE	DOSER KIT	KIT DOSEUR	DOSIERER
42	4925686	RACCORDO 1/4Mx1/4M	CONNECTOR 1/4Mx1/4M	RACCORD 1/4Mx1/4M	ANSCHLUSS 1/4Mx1/4M
43	4925708	RACCORDO 1/4x1/4	1/4X1/4 CW510L FITTING	RACCORD 1/4X1/4	ANSCHLUSS 1/4X1/4
44	12153	GUARNIZIONE RAME 1/4 17x13.3x1.5	GASKET 1/4 17x13.3x1.5 COPPER	JOINT CUIVRE 1/4 17x13.3x1.5	KUPFERDICHTUNG 1/4 17x13.3x1.5
45	12329	GUARNIZIONE OR HNBR 7.66xW1.78	GASKET OR HNBR 7.66xW1.78	JOINT OR HNBR 7.66x1.78	OR DICHTUNG HNBR 7.66xW1.78
46	4918126	DOSATORE FLOWMETER	FLOWMETER DOSER	KIT DOSEUR	DOSIERER
47	4652000923	TUBO D-6 L.80	TUBE D-6 L.80	TUYAU D-6 L.80	ROHR D-6 L.80
48	4625707004	RACCORDO DRITTO 1/8 con x1/4	STRAIGHT CONNECTOR 1/8 con-1/4	RACCORD 1/8 con -1/4	ANSCHLUSS 1/8 con-1/4

SAE 1GR



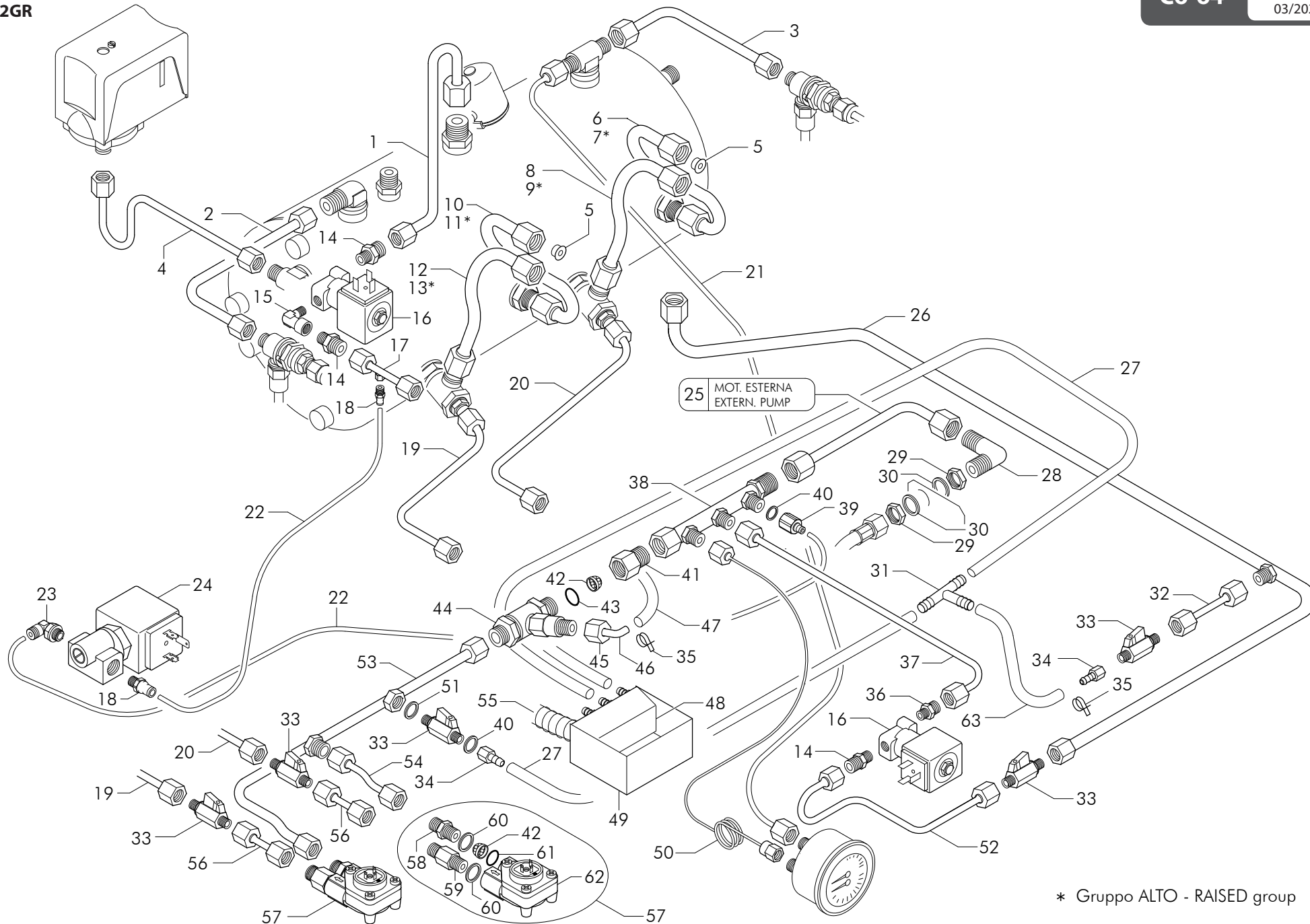
\* Gruppo ALTO - RAISED group

## SAE 1GR

Pos	Cod.	Denominazione - IT -	Denomination - GB -	Denomination - FR -	Denomination - DE -
1	4952000952	TUBO D-6 L.260	TUBE D-6 L.260	TUYAU D-6 L.260	ROHR D-6 L.260
2	4952000579	TUBO D-8 L.235	TUBE D-8 L.235	TUYAU D-8 L.235	ROHR D-8 L.235
3	4952000580	TUBO D-8 L.260	TUBE D-8 L.260	TUYAU D-8 L.260	ROHR D-8 L.260
4	4652003932	TUBO D-6 L.165	TUBE D-6 L.165	TUYAU D-6 L.165	ROHR D-6 L.165
5	4952003934	TUBO D-10 L.210	TUBE D-10 L.210	TUYAU D-10 L.210	ROHR D-10 L.210
6	4952000487	TUBO D-10 L.205	TUBE D-10 L.205	TUYAU D-10 L.205	ROHR D-10 L.205
7	4952000245	TUBO D-10 L.165	TUBE D-10 L.165	TUYAU D-10 L.165	ROHR D-10 L.165
8	4952000488	TUBO D-10 L.200	TUBE D-10 L.200	TUYAU D-10 L.200	ROHR D-10 L.200
9	4952000214	TUBO D-10 L.195	TUBE D-10 L.195	TUYAU D-10 L.195	ROHR D-10 L.195
10	4952000489	TUBO D-10 L.240	TUBE D-10 L.240	TUYAU D-10 L.240	ROHR D-10 L.240
11	4952000272	TUBO D-10 L.135	TUBE D-10 L.135	TUYAU D-10 L.135	ROHR D-10 L.135
12	4952000490	TUBO D-10 L.180	TUBE D-10 L.180	TUYAU D-10 L.180	ROHR D-10 L.180
13	23294001	STROZZATURA RICIRCOLO GR CTS D 2.5	CTS UNIT D 2.5 RECIRC. NECK	ETRANGLEMENT RECYCLAGE GR.D.2.5	ENGSTELLE UMWALZUNG D. 2.5
13	23294002	STROZZATURA RICIRCOLO GR CTS D.3	CTS UNIT D.3 RECIRC. NECK	ETRANGLEMENT RECYCLAGE GR. D.3	ENGSTELLE UMWALZUNG D.3
13	23294003	STROZZATURA RICIRCOLO GR CTS D 4	CTS UNIT D 4 RECIRC. NECK	ETRANGLEMENT RECYCLAGE GR.D.4	ENGSTELLE UMWALZUNG D. 4
13	23294004	STROZZATURA RICIRCOLO GR CTS D 5	CTS UNIT D 5 RECIRC. NECK	ETRANGLEMENT RECYCLAGE GR. CTS D5	ENGSTELLE UMWALZUNG D.5
14	4625707	RACCORDO 1/8x1/4	CONNECTOR 1/8x1/4	RACCORD 1/8x1/4	ANSCHLUSS 1/8x1/4
15	4723229103	RACCORDO 1/8-1/8	CONNECTOR 1/8-1/8	RACCORD 1/8-1/8	ANSCHLUSS 1/8-1/8
16	4918162005	ELETTROVALVOLA AEA 220-240V 50-60Hz VDE	SOL.VALVE WATER REFILL 220/240 50/60HZ	ELECTROVANNE REA 220/240V 50/60Hz VDE	ELEKTROVENTIL AWZ 230/250 V 50/60 Hz VDE
17	4652002088	TUBO D-6 L.45	TUBE D-6 L.45	TUYAU D-6 L.45	ROHR D-6 L.45
18	12151	GUARNIZIONE RAME 1/8 13x10.2x1.5	COPPER GASKET	JOINT CUIVRE	KUPFERDICHTUNG
19	4925787	TAPPO MASCHIO 1/8	MALE CAP 1/8	BOUCHON MALE 1/8	STOPFEN 1/8
20	4952000578	TUBO D-6 L.140	TUBE D-6 L.140	TUYAU D-6 L.140	ROHR D-6 L.140
21	4652000619	TUBO D-6 L.285	TUBE D-6 L.285	TUYAU D-6 L.285	ROHR D-6 L.285
22	4652000714	TUBO D-6 L.370	TUBE D-6 L.370	TUYAU D-6 L.370	ROHR D-6 L.370
23	4652000718	TUBO D-6 L.525	TUBE D-6 L.525	TUYAU D-6 L.525	ROHR D-6 L.525
24	4652000954	TUBO D-8 L.900	TUBE D-8 L.900	TUYAU D-8 L.900	ROHR D-8 L.900
25	4952004504	TUBO D-8 L.550	TUBE D-8 L.550	TUYAU D-8 L.550	ROHR D-8 L.550
26	4643067	RACCORDO "L" 3/8x3/8	3/8X3/8 L FITTING	RACCORD L 3/8x3/8	ANSCHLUSS L 3/8x3/8
27	25356	CONTRODADO OTTONE 3/8	BRASS LOCK NUT 3/8	CONTRE-ECROU LAITON 3/8	MESSING-GEGENMUTTER 3/8
28	25651	RONDELLA OTTONE 3/8	BRASS WASHER 3/8	RONDELLE LAITON 3/8	MESSINGSCHIEBE 3/8
29	15422017	RACCORDO "T" POLIPROPILENE D-10	"T" POLIPROPILENE FITTING	RACCORD "T" POLIPROPILENE	ANSCHLUSS "T" POLIPROPILENE
30	4652001175	TUBO D-8 L.43	TUBE D-8 L.43	TUYAU D-8 L.43	ROHR D-8 L.43
31	4620354001	VALVOLA CHIUSURA L.40	PRESSURE RELEASE TAP BULK UNIT L.40	CLAPET FERMETURE AUT.ARRIVEE EAU	ABSPERRVENTIL x AUT.WASSERZUFUHR L.40
32	23228025	RACCORDO DRITTO 1/4F + PORTAGOMMA	HOSE CONNECTION 1/4F D-8	PORTE-CAOUTCHOUC 1/4F D-8	GUMMIHALTER 1/4F D-8
33	15056003	FASCETTA BIFILARE A MOLLA D.11-11.6	SPRING CLAMP BI FILAR D11,00-11.6	COLLIER BIFILAIRE RESSORT D.11,00-11.6	SHELLE D.11-11,6
34	15452129	TUBO SILICONE PLATINICO 7x11 L.40	SILICON TUBE	SILICON TUYAU	SILIKON ROHR
35	4652004510	TUBO D-8 L.65	TUBE D-8 L.65	TUYAU D-8 L.65	ROHR D-8 L.65

## SAE 1GR

Pos	Cod.	Denominazione - IT -	Denomination - GB -	Denomination - FR -	Denomination - DE -
36	15452144	TUBO SILICONE D-7x11 L.500	TUBE SILICONE D-7x11 L.500	TUYAU SILICONE D-7x11 L.500	SILIKONROHR D7x11 L.500
37	4656136004	BLOCCO DISTRIBUZIONE	DISTRIBUTION BLOCK 2-3-4GR	BLOC DISTRIBUTION 2-3-4GR	BLOCK VERTEILER 2-3-4GR
38	12007	GUARNIZIONE KLINGERSIL4400	KLINGERSIL4400 SEAL	JOINT KLINGERSIL4400	DICHTUNG KLINGER SIL4400
39	25782	TAPPO FEMMINA 1/4 GAS	1/4 GAS FEMALE TAP	BOUCHON FEMELLE 1/4 GAZ	INNENANSCHLUSSSTOPSEL 1/4 GAS
40	4952004508	TUBO D-6 L.191	TUBE D-6 L.191	TUYAU D-6 L.191	ROHR D-6 L.191
41	4625707004	RACCORDO DRITTO 1/8 con x1/4	STRAIGHT CONNECTOR 1/8 con-1/4	RACCORD 1/8 con -1/4	ANSCHLUSS 1/8 con-1/4
42	4652000617	TUBO D-6 L.115	TUBE D-6 L.115	TUYAU D-6 L.115	ROHR D-6 L.115
43	4652000955	TUBO D-4 L.850	TUBE D-4 L.850	TUYAU D-4 L.850	ROHR D-4 L.850
44	4625732100	RACCORDO 3/8Mx3/8F	FITTING 3/8Mx3/8F	RACCORD 3/8Mx3/8F	ANSCHLUSS 3/8Mx3/8F
45	10254	FILTRO ACCIAIO 160-200 MESH	STEEL FILTER 160-200 MESH	FILTRE EN ACIER 160-200 MESH	STAHLFILTER 160-200 MESH
46	12312	GUARNIZIONE OR	O RING	JOINT OR	OR DICHTUNG
47	4620361	VALVOLA S.C.N.R. REGOLABILE	ADJUSTABLE S.C.N.R. VALVE	SOUPAPE S.C.N.R. REGLABLE	EINSTELLBARES VENTIL S.N.C.R.
48	25382	DADO 1/4 FORO 9.5 OTTONE	NUT 1/4 HOLE 9.5	ECROU 1/4 TROU 9.5	SCHRAUBENMUTTER 1/4 LOCH 9.5
49	4652000851	TUBO D-8 L.45	TUBE D-8 L.45	TUYAU D-8 L.45	ROHR D-8 L.45
50	15452136	TUBO SILICONE D-7x11 L.300	TUBE SILICONE D-7x11 L.300	TUYAU SILICONE D-7x11 L.300	SILIKONROHR D7x11 L.300
51	15502002	PARATIA ROMPIGETTO VASCHETTA SCARICO	BULKHEAD	CLOISON	SCHOTT
52	15502003	VASCHETTA SCARICO BACINELLA	DRAIN PAN	DRAIN DE LA BAIGNOIRE	BADEWANNEABLAUF
53	15469001	TUBO CORRUGATO D.19 L.2000	CORRUGATED TUBE D.19 L.2000	TUYAU ONDULE D.19 L.2000	WELLPAPPE TUBE D.19 L.2000
54	4652003057	TUBO D-2 L.1000	TUBE D-2 L.1000	TUYAU D-2 L.1000	ROHR D-2 L.1000
55	12153003	GUARNIZIONE RAME 1/4 Sp.2	GASKET 1/4 Sp.2 COPPER	JOINT CUIVRE 1/4 Sp.2	KUPFERDICHTUNG 1/4 Sp.2
56	12100	GUARNIZIONE CU/ALIM 1/4 18.7x13.2x2.5	CU GASKET 1/4 18.7X13.2X2.5	JOINT CU 1/4 18.7X13.2X2.5	CU DICHTUNG 1/4 18.7x13.2x2.5



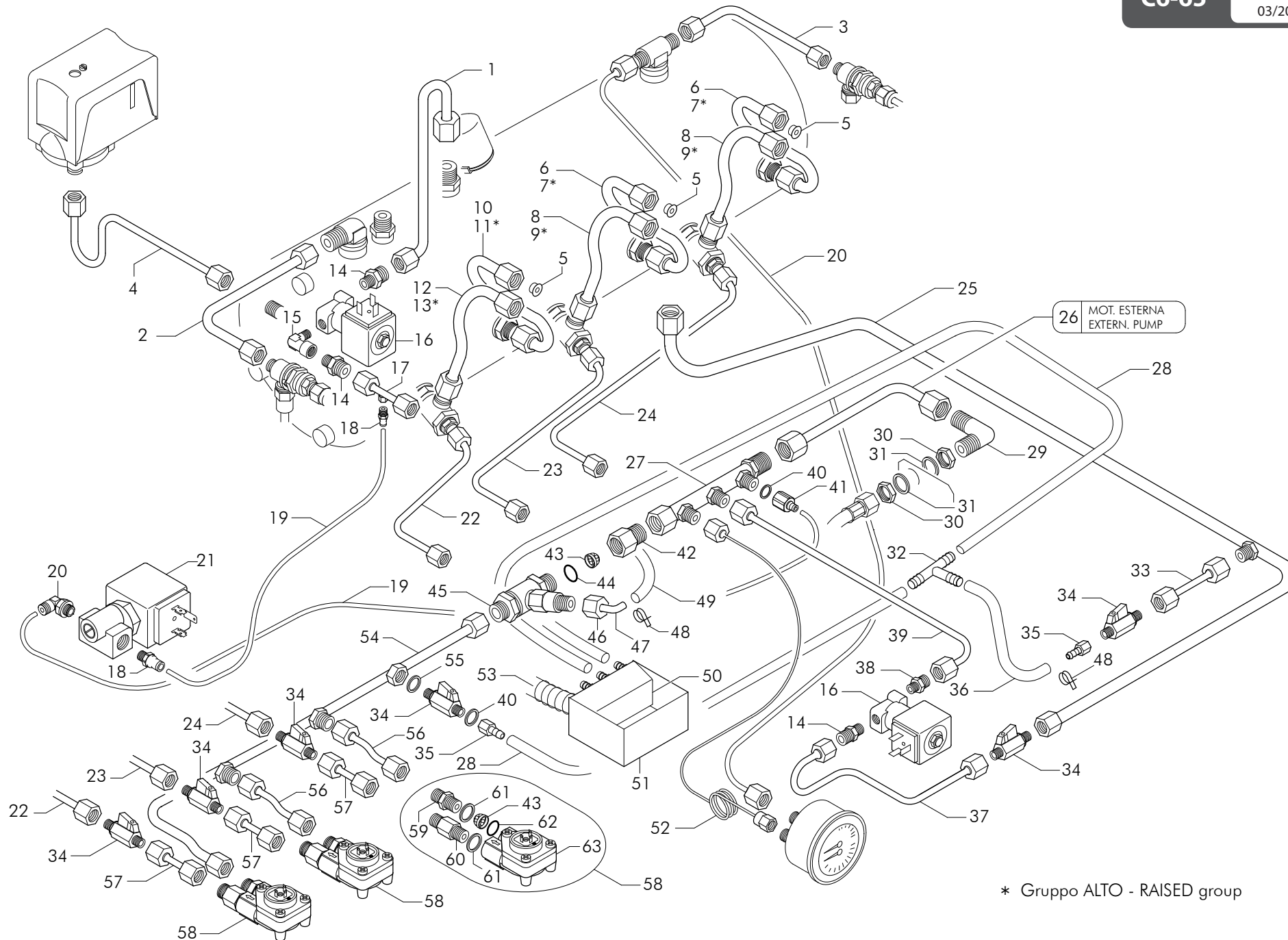
\* Gruppo ALTO - RAISED group

## SAE 2GR

Pos	Cod.	Denominazione - IT -	Denomination - GB -	Denomination - FR -	Denomination - DE -
1	4952000578	TUBO D-6 L.140	TUBE D-6 L.140	TUYAU D-6 L.140	ROHR D-6 L.140
2	4952000579	TUBO D-8 L.235	TUBE D-8 L.235	TUYAU D-8 L.235	ROHR D-8 L.235
3	4952000580	TUBO D-8 L.260	TUBE D-8 L.260	TUYAU D-8 L.260	ROHR D-8 L.260
4	4652003932	TUBO D-6 L.165	TUBE D-6 L.165	TUYAU D-6 L.165	ROHR D-6 L.165
5	4923294001	STROZZATURA RICIRCOLO GR CTS D 2,5	CTS UNIT D 2,5 RECIRC. NECK	ETRANGLEMENT RECYCLAGE GR.D-2,5	ENGSTELLE UMWALZUNG D.2,5
5	4923294002	STROZZATURA RICIRCOLO GR CTS D.3	CTS UNIT D.3 RECIRC. NECK	ETRANGLEMENT RECYCLAGE GR. D.3	ENGSTELLE UMWALZUNG D.3
5	4923294003	STROZZATURA RICIRCOLO GR CTS D 4	CTS UNIT D 4 RECIRC. NECK	ETRANGLEMENT RECYCLAGE GR.D.4	ENGSTELLE UMWALZUNG D.4
5	4923294004	STROZZATURA RICIRCOLO GR CTS D 5	CTS UNIT D 5 RECIRC. NECK	ETRANGLEMENT RECYCLAGE GR.D.5	ENGSTELLE UMWALZUNG D.5
6	4952003934	TUBO D-10 L.210	TUBE D-10 L.210	TUYAU D-10 L.210	ROHR D-10 L.210
7	4952000487	TUBO D-10 L.205	TUBE D-10 L.205	TUYAU D-10 L.205	ROHR D-10 L.205
8	4952000245	TUBO D-10 L.165	TUBE D-10 L.165	TUYAU D-10 L.165	ROHR D-10 L.165
9	4952000488	TUBO D-10 L.200	TUBE D-10 L.200	TUYAU D-10 L.200	ROHR D-10 L.200
10	4952000214	TUBO D-10 L.195	TUBE D-10 L.195	TUYAU D-10 L.195	ROHR D-10 L.195
11	4952000489	TUBO D-10 L.240	TUBE D-10 L.240	TUYAU D-10 L.240	ROHR D-10 L.240
12	4952000272	TUBO D-10 L.135	TUBE D-10 L.135	TUYAU D-10 L.135	ROHR D-10 L.135
13	4952000490	TUBO D-10 L.180	TUBE D-10 L.180	TUYAU D-10 L.180	ROHR D-10 L.180
14	4625707	RACCORDO 1/8x1/4	CONNECTOR 1/8x1/4	RACCORD 1/8x1/4	ANSCHLUSS 1/8x1/4
15	4723229103	RACCORDO 1/8-1/8	CONNECTOR 1/8-1/8	RACCORD 1/8-1/8	ANSCHLUSS 1/8-1/8
16	4918162005	ELETTROVALVOLA AEA 220-240V 50-60Hz VDE	SOL.VALVE WATER REFILL 220/240 50/60HZ	ELECTROVANNE REA 220/240V 50/60Hz VDE	ELEKTROVENTIL AWZ 230/250 V 50/60 Hz VDE
17	4652002088	TUBO D-6 L.45	TUBE D-6 L.45	TUYAU D-6 L.45	ROHR D-6 L.45
18	4623229013	RACCORDO RAPIDO DRITTO 1/8M CIL+OR D-4	QUICK COUPLING 1/8M D-4	RACCORD RAPIDE 1/8M D-4	STECKVERBINDUNG 1/8M D-4
19	4652000619	TUBO D-6 L.285	TUBE D-6 L.285	TUYAU D-6 L.285	ROHR D-6 L.285
20	4652000714	TUBO D-6 L.370	TUBE D-6 L.370	TUYAU D-6 L.370	ROHR D-6 L.370
21	4652000715	TUBO D-4 L.670	TUBE D-4 L.670	TUYAU D-4 L.670	ROHR D-4 L.670
22	15452001	TUBO TEFLON D-2,5x4	TUBE TEFLON D-2,5x4	TUYAU TEFLON D 2,5X24	TEFLONROHR D 2,5x4
23	4623229111	RACCORDO RAPIDO -L- 1/8M CIL+OR D-4	QUICK COUPLING -L- 1/8M	RACCORD RAPIDE -L- 1/8M	STECKVERBINDUNG -L- 1/8M
24	4918161701	ELETTROVALVOLA REGOL.PORT.220-240V/50-60Hz	SOL.VALVE 220-240V/50-60Hz	ELECTROVANNE 220-240V/50-60Hz	MAGNETVENTIL 220-240V/50-60Hz
25	4652004510	TUBO D-8 L.65	TUBE D-8 L.65	TUYAU D-8 L.65	ROHR D-8 L.65
26	4952004504	TUBO D-8 L.550	TUBE D-8 L.550	TUYAU D-8 L.550	ROHR D-8 L.550
27	15452159	TUBO SILICONE D-7x11 L.380	TUBE SILICONE D-7x11 L.300	TUYAU SILICONE D-7x11 L.300	SILIKONROHR D7x11 L.300
28	4643067	RACCORDO "L" 3/8x3/8	3/8X3/8 L FITTING	RACCORD L 3/8x3/8	ANSCHLUSS L 3/8x3/8
29	25356	CONTRODADO OTTONE 3/8	BRASS LOCK NUT 3/8	CONTRE-ECROU LAITON 3/8	MESSING-GEGENMUTTER 3/8
30	25651	RONDELLA OTTONE 3/8	BRASS WASHER 3/8	RONDELLE LAITON 3/8	MESSINGSCHLEIBE 3/8
31	15422017	RACCORDO "T" POLIPROPILENE D-10	"T" POLIPROPILENE FITTING	RACCORD "T" POLIPROPILENE	ANSCHLUSS "T" POLIPROPILENE
32	4652001175	TUBO D-8 L.43	TUBE D-8 L.43	TUYAU D-8 L.43	ROHR D-8 L.43
33	4620354001	VALVOLA CHIUSURA L.40	PRESSURE RELEASE TAP BULK UNIT L.40	CLAPET FERMETURE AUT.ARRIVEE EAU	ABSPERRVENTIL x AUT.WASSERZUFUHR L.40
34	23228025	RACCORDO DRITTO 1/4F + PORTAGOMMA	HOSE CONNECTION 1/4F D-8	PORTE-CAOUTCHOUC 1/4F D-8	GUMMIHALTER 1/4F D-8
35	15056003	FASCETTA BIFILARE A MOLLA D.11-11.6	SPRING CLAMP BI FILAR D11,00-11.6	COLLIER BIFILAIRE RESSORT D.11,00-11.6	SHELLE D.11-11,6

## SAE 2GR

Pos	Cod.	Denominazione - IT -	Denomination - GB -	Denomination - FR -	Denomination - DE -
36	4625707004	RACCORDO DRITTO 1/8 con x1/4	STRAIGHT CONNECTOR 1/8 con-1/4	RACCORD 1/8 con -1/4	ANSCHLUSS 1/8 con-1/4
37	4652000617	TUBO D-6 L.115	TUBE D-6 L.115	TUYAU D-6 L.115	ROHR D-6 L.115
38	4656136004	BLOCCO DISTRIBUZIONE	DISTRIBUTION BLOCK 2-3-4GR	BLOC DISTRIBUTION 2-3-4GR	BLOCK VERTEILER 2-3-4GR
39	4623229019	RACCORDO RAPIDO DRITTO 1/4F D-4	QUICK COUPLING 1/4F D-4	RACCORD RAPIDE 1/4F D-4	STECKVERBINDUNG 1/4F D-4
40	12153003	GUARNIZIONE RAME 1/4 Sp.2	GASKET 1/4 Sp.2 COPPER	JOINT CUIVRE 1/4 Sp.2	KUPFERDICHTUNG 1/4 Sp.2
41	4625732100	RACCORDO 3/8Mx3/8F	FITTING 3/8Mx3/8F	RACCORD 3/8Mx3/8F	ANSCHLUSS 3/8Mx3/8F
42	10254	FILTRO ACCIAIO 160-200 MESH	STEEL FILTER 160-200 MESH	FILTRE EN ACIER 160-200 MESH	STAHLFILTER 160-200 MESH
43	12312	GUARNIZIONE OR	O RING	JOINT OR	OR DICHTUNG
44	4620361	VALVOLA S.C.N.R. REGOLABILE	ADJUSTABLE S.C.N.R. VALVE	SOUPAPE S.C.N.R. REGLABLE	EINSTELLBARES VENTIL S.N.C.R.
45	25382	DADO 1/4 FORO 9.5 OTTONE	NUT 1/4 HOLE 9.5	ECROU 1/4 TROU 9.5	SCHRAUBENMUTTER 1/4 LOCH 9.5
46	4652000851	TUBO D-8 L.45	TUBE D-8 L.45	TUYAU D-8 L.45	ROHR D-8 L.45
47	15452136	TUBO SILICONE D-7x11 L.300	TUBE SILICONE D-7x11 L.300	TUYAU SILICONE D-7x11 L.300	SILIKONROHR D7x11 L.300
48	15502002	PARATIA ROMPIGETTO VASCHETTA SCARICO	BULKHEAD	CLOISON	SCHOTT
49	15502003	VASCHETTA SCARICO BACINELLA	DRAIN PAN	DRAIN DE LA BAIGNOIRE	BADEWANNEABLAUF
50	4652003055	TUBO D-2 L.500	TUBE D-2 L.500	TUYAU D-2 L.500	ROHR D-2 L.500
51	12100	GUARNIZIONE CU/ALIM 1/4 18.7x13.2x2.5	CU GASKET 1/4 18.7X13.2X2.5	JOINT CU 1/4 18.7X13.2X2.5	CU DICHTUNG 1/4 18.7x13.2x2.5
52	4952004508	TUBO D-6 L.191	TUBE D-6 L.191	TUYAU D-6 L.191	ROHR D-6 L.191
53	4652000618	TUBO D-8 L.300	TUBE D-8 L.300	TUYAU D-8 L.300	ROHR D-8 L.300
54	4652000829	TUBO D-6 L.70	TUBE D-6 L.70	TUYAU D-7 L.70	ROHR D-6 L.70
55	15469001	TUBO CORRUGATO D.19 L.2000	CORRUGATED TUBE D.19 L.2000	TUYAU ONDULE D.19 L.2000	WELLPAPPE TUBE D.19 L.2000
56	4652001590	TUBO D-6 L.28	TUBE D-6 L.28	TUYAU D-6 L.28	ROHR D-6 L.28
57	4956122000	ASSIEME DOSATORE	DOSER KIT	KIT DOSEUR	DOSIERER
58	4925686	RACCORDO 1/4Mx1/4M	CONNECTOR 1/4Mx1/4M	RACCORD 1/4Mx1/4M	ANSCHLUSS 1/4Mx1/4M
59	4925708	RACCORDO 1/4x1/4	1/4X1/4 CW510L FITTING	RACCORD 1/4X1/4	ANSCHLUSS 1/4X1/4
60	12153	GUARNIZIONE RAME 1/4 17x13.3x1.5	GASKET 1/4 17x13.3x1.5 COPPER	JOINT CUIVRE 1/4 17x13.3x1.5	KUPFERDICHTUNG 1/4 17x13.3x1.5
61	12329	GUARNIZIONE OR HNBR 7.66xW1.78	GASKET OR HNBR 7.66xW1.78	JOINT OR HNBR 7.66x1.78	OR DICHTUNG HNBR 7.66xW1.78
62	4918126	DOSATORE FLOWMETER	FLOWMETER DOSER	KIT DOSEUR	DOSIERER
63	15452129	TUBO SILICONE PLATINICO 7x11 L.40	SILICON TUBE	SILICON TUYAU	SILIKON ROHR



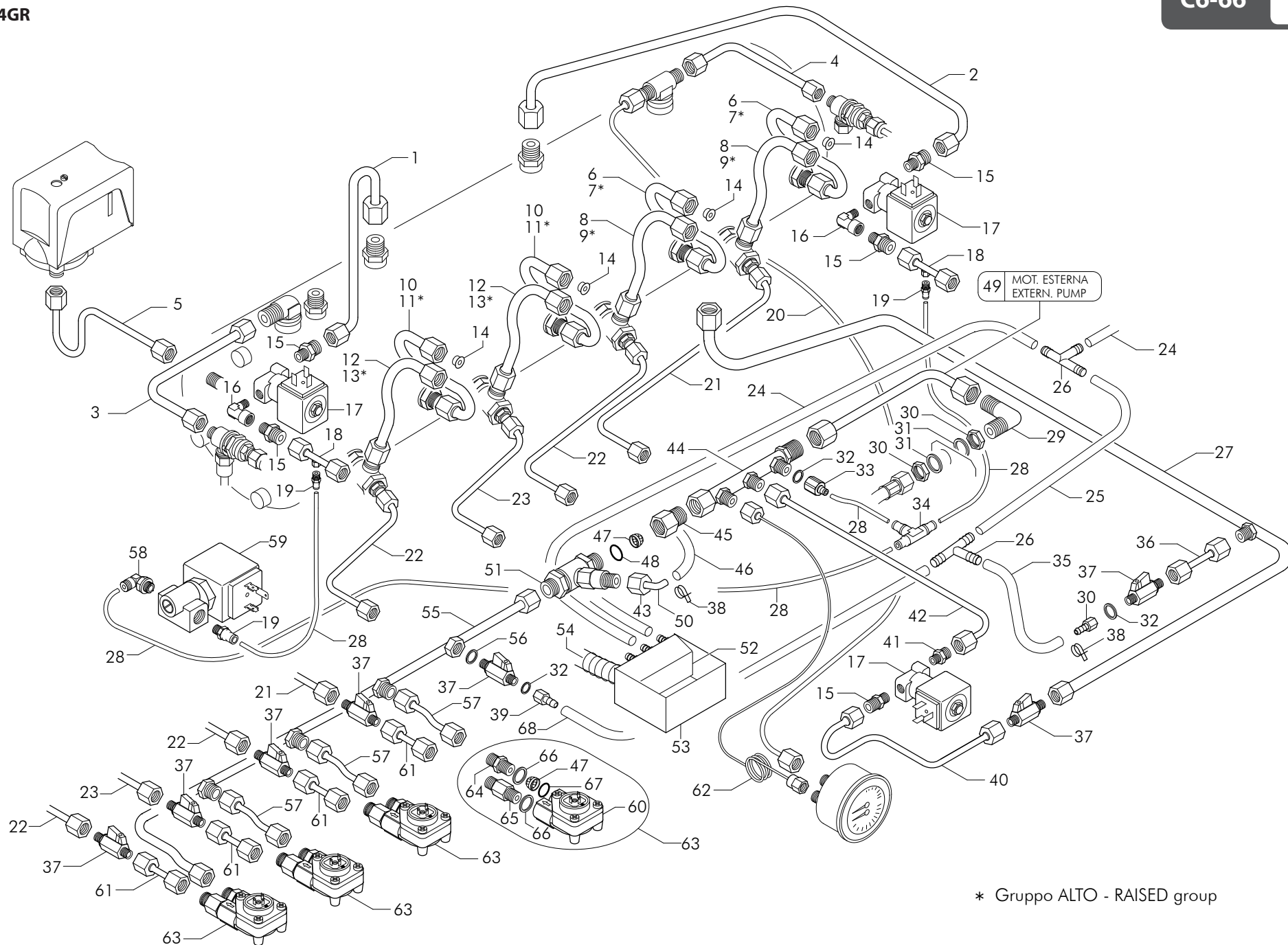


## SAE 3GR

Pos	Cod.	Denominazione - IT -	Denomination - GB -	Denomination - FR -	Denomination - DE -
1	4952000578	TUBO D-6 L.140	TUBE D-6 L.140	TUYAU D-6 L.140	ROHR D-6 L.140
2	4952000952	TUBO D-6 L.260	TUBE D-6 L.260	TUYAU D-6 L.260	ROHR D-6 L.260
3	4952000579	TUBO D-8 L.235	TUBE D-8 L.235	TUYAU D-8 L.235	ROHR D-8 L.235
4	4952000580	TUBO D-8 L.260	TUBE D-8 L.260	TUYAU D-8 L.260	ROHR D-8 L.260
5	4652003932	TUBO D-6 L.165	TUBE D-6 L.165	TUYAU D-6 L.165	ROHR D-6 L.165
6	4952003934	TUBO D-10 L.210	TUBE D-10 L.210	TUYAU D-10 L.210	ROHR D-10 L.210
7	4952000487	TUBO D-10 L.205	TUBE D-10 L.205	TUYAU D-10 L.205	ROHR D-10 L.205
8	4952000245	TUBO D-10 L.165	TUBE D-10 L.165	TUYAU D-10 L.165	ROHR D-10 L.165
9	4952000488	TUBO D-10 L.200	TUBE D-10 L.200	TUYAU D-10 L.200	ROHR D-10 L.200
10	4952000214	TUBO D-10 L.195	TUBE D-10 L.195	TUYAU D-10 L.195	ROHR D-10 L.195
11	4952000489	TUBO D-10 L.240	TUBE D-10 L.240	TUYAU D-10 L.240	ROHR D-10 L.240
12	4952000272	TUBO D-10 L.135	TUBE D-10 L.135	TUYAU D-10 L.135	ROHR D-10 L.135
13	4952000490	TUBO D-10 L.180	TUBE D-10 L.180	TUYAU D-10 L.180	ROHR D-10 L.180
14	4923294001	STROZZATURA RICIRCOLO GR CTS D 2,5	CTS UNIT D 2,5 RECIRC. NECK	ETRANGLEMENT RECYCLAGE GR.D-2,5	ENGSTELLE UMWALZUNG D.2,5
14	4923294002	STROZZATURA RICIRCOLO GR CTS D.3	CTS UNIT D.3 RECIRC. NECK	ETRANGLEMENT RECYCLAGE GR. D.3	ENGSTELLE UMWALZUNG D.3
14	4923294003	STROZZATURA RICIRCOLO GR CTS D 4	CTS UNIT D 4 RECIRC. NECK	ETRANGLEMENT RECYCLAGE GR.D.4	ENGSTELLE UMWALZUNG D.4
14	4923294004	STROZZATURA RICIRCOLO GR CTS D 5	CTS UNIT D 5 RECIRC. NECK	ETRANGLEMENT RECYCLAGE GR.D.5	ENGSTELLE UMWALZUNG D.5
15	4625707	RACCORDO 1/8x1/4	CONNECTOR 1/8x1/4	RACCORD 1/8x1/4	ANSCHLUSS 1/8x1/4
16	4723229103	RACCORDO 1/8-1/8	CONNECTOR 1/8-1/8	RACCORD 1/8-1/8	ANSCHLUSS 1/8-1/8
17	4918162005	ELETTROVALVOLA AEA 220-240V 50-60Hz VDE	SOL.VALVE WATER REFILL 220/240 50/60HZ	ELECTROVANNE REA 220/240V 50/60Hz VDE	ELEKTROVENTIL AWZ 230/250 V 50/60 Hz VDE
18	4652002088	TUBO D-6 L.45	TUBE D-6 L.45	TUYAU D-6 L.45	ROHR D-6 L.45
19	4623229013	RACCORDO RAPIDO DRITTO 1/8M CIL+OR D-4	QUICK COUPLING 1/8M D-4	RACCORD RAPIDE 1/8M D-4	STECKERBINDUNG 1/8M D-4
20	4652000955	TUBO D-4 L.850	TUBE D-4 L.850	TUYAU D-4 L.850	ROHR D-4 L.850
21	4652000718	TUBO D-6 L.525	TUBE D-6 L.525	TUYAU D-6 L.525	ROHR D-6 L.525
21	4652004510	TUBO D-8 L.65	TUBE D-8 L.65	TUYAU D-8 L.65	ROHR D-8 L.65
22	4652000714	TUBO D-6 L.370	TUBE D-6 L.370	TUYAU D-6 L.370	ROHR D-6 L.370
23	4652000619	TUBO D-6 L.285	TUBE D-6 L.285	TUYAU D-6 L.285	ROHR D-6 L.285
24	15452136	TUBO SILICONE D-7x11 L.300	TUBE SILICONE D-7x11 L.300	TUYAU SILICONE D-7x11 L.300	SILIKONROHR D7x11 L.300
25	15452160	TUBO SILICONE D-7x11 L.220	TUBE SILICONE D-7x11 L.220	TUYAU SILICONE D-7x11 L.220	SILIKONROHR D7x11 L.220
26	15422017	RACCORDO "T" POLIPROPILENE D-10	"T" POLIPROPILENE FITTING	RACCORD "T" POLIPROPILENE	ANSCHLUSS "T" POLIPROPILENE
27	4952004504	TUBO D-8 L.550	TUBE D-8 L.550	TUYAU D-8 L.550	ROHR D-8 L.550
28	15452001	TUBO TEFLON D-2,5x4	TUBE TEFLON D-2,5x4	TUYAU TEFLON D 2,5X24	TEFLONROHR D 2,5x4
29	4643067	RACCORDO "L" 3/8x3/8	3/8X3/8 L FITTING	RACCORD L 3/8x3/8	ANSCHLUSS L 3/8x3/8
30	25356	CONTRODADO OTTONE 3/8	BRASS LOCK NUT 3/8	CONTRE-ECROU LAITON 3/8	MESSING-GEGENMUTTER 3/8
31	25651	RONDELLA OTTONE 3/8	BRASS WASHER 3/8	RONDELLE LAITON 3/8	MESSINGSCHIEBE 3/8
32	12153003	GUARNIZIONE RAME 1/4 Sp.2	GASKET 1/4 Sp.2 COPPER	JOINT CUIVRE 1/4 Sp.2	KUPFERDICHTUNG 1/4 Sp.2
33	4623229019	RACCORDO RAPIDO DRITTO 1/4F D-4	QUICK COUPLING 1/4F D-4	RACCORD RAPIDE 1/4F D-4	STECKERBINDUNG 1/4F D-4
34	4623229157	RACCORDO RAPIDO -T-	QUICK COUPLING -T-	RACCORD RAPIDE -T-	STECKERBINDUNG -T-

## SAE 3GR

Pos	Cod.	Denominazione - IT -	Denomination - GB -	Denomination - FR -	Denomination - DE -
35	15452129	TUBO SILICONE PLATINICO 7x11 L.40	SILICON TUBE	SILICON TUYAU	SILIKON ROHR
36	4652001175	TUBO D-8 L.43	TUBE D-8 L.43	TUYAU D-8 L.43	ROHR D-8 L.43
37	4620354001	VALVOLA CHIUSURA L.40	PRESSURE RELEASE TAP BULK UNIT L.40	CLAPET FERMETURE AUT.ARRIVEE EAU	ABSPERRVENTIL x AUT.WASSERZUFUHR L.40
38	15056003	FASCETTA BIFILARE A MOLLA D.11-11.6	SPRING CLAMP BI FILAR D11,00-11.6	COLLIER BIFILAIRE RESSORT D.11,00-11.6	SHELLE D.11-11,6
39	23228025	RACCORDO DRITTO 1/4F + PORTAGOMMA	HOSE CONNECTION 1/4F D-8	PORTE-CAOUTCHOU 1/4F D-8	GUMMIHALTER 1/4F D-8
40	4952004508	TUBO D-6 L.191	TUBE D-6 L.191	TUYAU D-6 L.191	ROHR D-6 L.191
41	4625707004	RACCORDO DRITTO 1/8 con x1/4	STRAIGHT CONNECTOR 1/8 con-1/4	RACCORD 1/8 con -1/4	ANSCHLUSS 1/8 con-1/4
42	4652000617	TUBO D-6 L.115	TUBE D-6 L.115	TUYAU D-6 L.115	ROHR D-6 L.115
43	25382	DADO 1/4 FORO 9.5 OTTONE	NUT 1/4 HOLE 9.5	ECROU 1/4 TROU 9.5	SCHRAUBENMUTTER 1/4 LOCH 9.5
44	4656136004	BLOCCO DISTRIBUZIONE	DISTRIBUTION BLOCK 2-3-4GR	BLOC DISTRIBUTION 2-3-4GR	BLOCK VERTEILER 2-3-4GR
45	4925732100	RACCORDO 3/8Mx3/8F + SEDE FILTRO	FITTING 3/8Mx3/8F	RACCORD 3/8Mx3/8F	ANSCHLUSS 3/8Mx3/8F
46	15452160	TUBO SILICONE D-7x11 L.220	TUBE SILICONE D-7x11 L.220	TUYAU SILICONE D-7x11 L.220	SILIKONROHR D7x11 L.220
47	10254	FILTRO ACCIAIO 160-200 MESH	STEEL FILTER 160-200 MESH	FILTRE EN ACIER 160-200 MESH	STAHLFILTER 160-200 MESH
48	12312	GUARNIZIONE OR	O RING	JOINT OR	OR DICHTUNG
49	15056003	FASCETTA BIFILARE A MOLLA D.11-11.6	SPRING CLAMP BI FILAR D11,00-11.6	COLLIER BIFILAIRE RESSORT D.11,00-11.6	SHELLE D.11-11,6
50	4652000851	TUBO D-8 L.45	TUBE D-8 L.45	TUYAU D-8 L.45	ROHR D-8 L.45
51	4620361	VALVOLA S.C.N.R. REGOLABILE	ADJUSTABLE S.C.N.R. VALVE	SOUPAPE S.C.N.R. REGLABLE	EINSTELLBARES VENTIL S.N.C.R.
52	15502002	PARATIA ROMPIGETTO VASCHETTA SCARICO	BULKHEAD	CLOISON	SCHOTT
53	15502003	VASCHETTA SCARICO BACINELLA	DRAIN PAN	DRAIN DE LA BAIGNOIRE	BADEWANNEABLAUF
54	15469001	TUBO CORRUGATO D.19 L.2000	CORRUGATED TUBE D.19 L.2000	TUYAU ONDULE D.19 L.2000	WELLPAPPE TUBE D.19 L.2000
55	4652000951	TUBO D-8 L.765	TUBE D-8 L.765	TUYAU D-8 L.765	ROHR D-8 L.765
56	12100	GUARNIZIONE CU/ALIM 1/4 18.7x13.2x2.5	CU GASKET 1/4 18.7X13.2X2.5	JOINT CU 1/4 18.7X13.2X2.5	CU DICHTUNG 1/4 18.7x13.2x2.5
58	4623229111	RACCORDO RAPIDO -L- 1/8M CIL+OR D-4	QUICK COUPLING -L- 1/8M	RACCORD RAPIDE -L- 1/8M	STECKVERBINDUNG -L- 1/8M
59	4918161701	ELETTRIVALVOLA REG.PORTAT.220-240V/50-60Hz	SOL.VALVE 220-240V/50-60Hz	ELECTROVANNE 220-240V/50-60Hz	MAGNETVENTIL 220-240V/50-60Hz
60	4652000829	TUBO D-6 L.70	TUBE D-6 L.70	TUYAU D-7 L.70	ROHR D-6 L.70
60	4918126	DOSATORE FLOWMETER	FLOWMETER DOSER	KIT DOSEUR	DOSIERER
61	4652001590	TUBO D-6 L.28	TUBE D-6 L.28	TUYAU D-6 L.28	ROHR D-6 L.28
62	4652003057	TUBO D-2 L.1000	TUBE D-2 L.1000	TUYAU D-2 L.1000	ROHR D-2 L.1000
63	4956122000	ASSIEME DOSATORE	DOSEUR KIT	KIT DOSEUR	DOSIERER
64	4925686	RACCORDO 1/4Mx1/4M	CONNECTOR 1/4Mx1/4M	RACCORD 1/4Mx1/4M	ANSCHLUSS 1/4Mx1/4M
65	4925708	RACCORDO 1/4x1/4	1/4X1/4 CW510L FITTING	RACCORD 1/4X1/4	ANSCHLUSS 1/4X1/4
66	12153	GUARNIZIONE RAME 1/4 17x13.3x1.5	GASKET 1/4 17x13.3x1.5 COPPER	JOINT CUIVRE 1/4 17x13.3x1.5	KUPFERDICHTUNG 1/4 17x13.3x1.5
67	12329	GUARNIZIONE OR HNBR 7.66xW1.78	GASKET OR HNBR 7.66xW1.78	JOINT OR HNBR 7.66x1.78	OR DICHTUNG HNBR 7.66xW1.78
68	15452145	TUBO SILICONE D-7x11 L.700	TUBE SILICONE D-7x11 L.700	TUYAU SILICONE D-7x11 L.700	SILIKONROHR D7x11 L.700



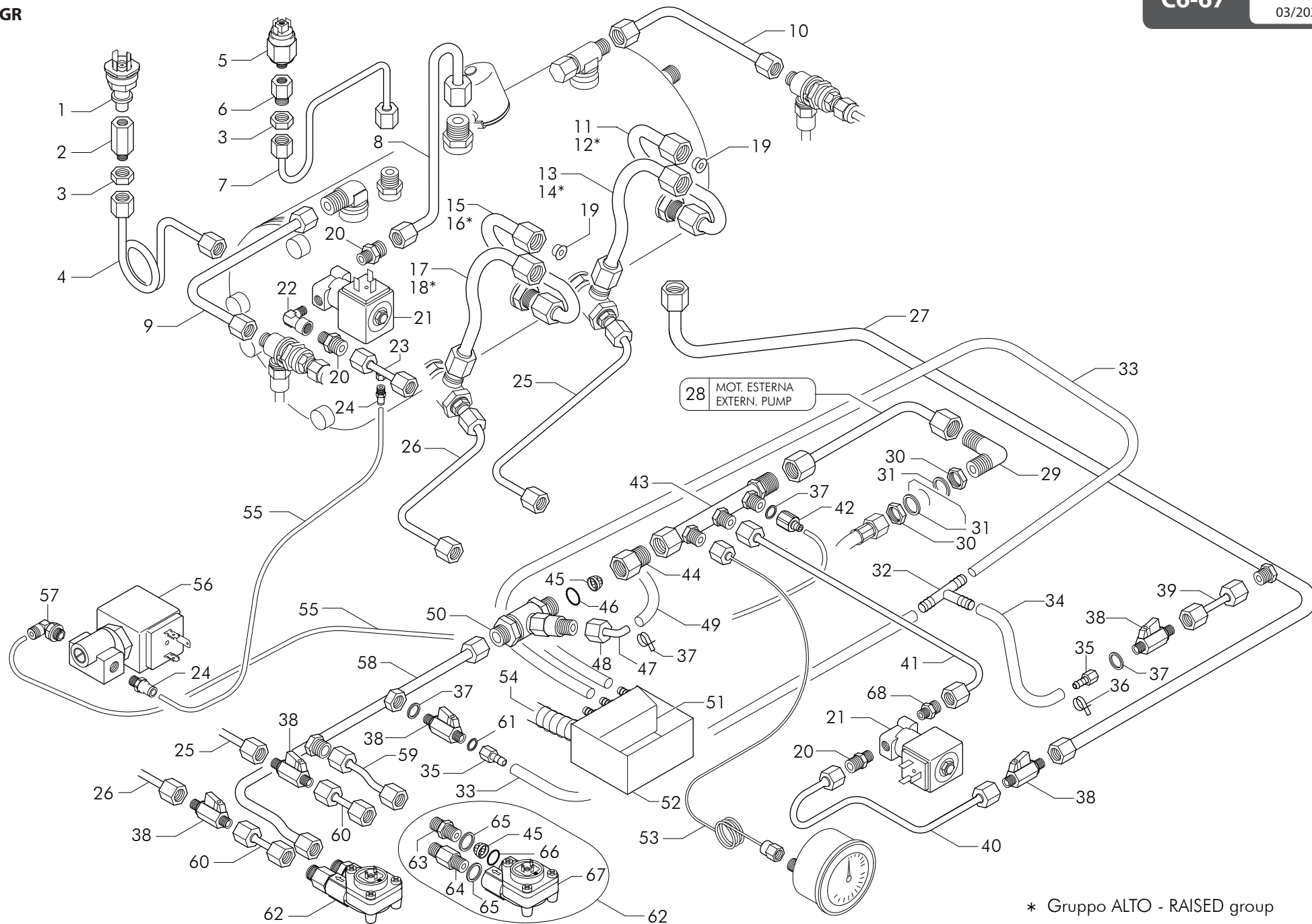
## SAE 4GR

Pos	Cod.	Denominazione - IT -	Denomination - GB -	Denomination - FR -	Denomination - DE -
1	4952000578	TUBO D-6 L.140	TUBE D-6 L.140	TUYAU D-6 L.140	ROHR D-6 L.140
2	4952000952	TUBO D-6 L.260	TUBE D-6 L.260	TUYAU D-6 L.260	ROHR D-6 L.260
3	4952000579	TUBO D-8 L.235	TUBE D-8 L.235	TUYAU D-8 L.235	ROHR D-8 L.235
4	4952000580	TUBO D-8 L.260	TUBE D-8 L.260	TUYAU D-8 L.260	ROHR D-8 L.260
5	4652003932	TUBO D-6 L.165	TUBE D-6 L.165	TUYAU D-6 L.165	ROHR D-6 L.165
6	4952003934	TUBO D-10 L.210	TUBE D-10 L.210	TUYAU D-10 L.210	ROHR D-10 L.210
7	4952000487	TUBO D-10 L.205	TUBE D-10 L.205	TUYAU D-10 L.205	ROHR D-10 L.205
8	4952000245	TUBO D-10 L.165	TUBE D-10 L.165	TUYAU D-10 L.165	ROHR D-10 L.165
9	4952000488	TUBO D-10 L.200	TUBE D-10 L.200	TUYAU D-10 L.200	ROHR D-10 L.200
10	4952000214	TUBO D-10 L.195	TUBE D-10 L.195	TUYAU D-10 L.195	ROHR D-10 L.195
11	4952000489	TUBO D-10 L.240	TUBE D-10 L.240	TUYAU D-10 L.240	ROHR D-10 L.240
12	4952000272	TUBO D-10 L.135	TUBE D-10 L.135	TUYAU D-10 L.135	ROHR D-10 L.135
13	4952000490	TUBO D-10 L.180	TUBE D-10 L.180	TUYAU D-10 L.180	ROHR D-10 L.180
14	4923294001	STROZZATURA RICIRCOLO GR CTS D 2,5	CTS UNIT D 2,5 RECIRC. NECK	ETRANGLEMENT RECYCLAGE GR.D-2,5	ENGSTELLE UMWALZUNG D.2,5
14	4923294002	STROZZATURA RICIRCOLO GR CTS D.3	CTS UNIT D.3 RECIRC. NECK	ETRANGLEMENT RECYCLAGE GR. D.3	ENGSTELLE UMWALZUNG D.3
14	4923294003	STROZZATURA RICIRCOLO GR CTS D 4	CTS UNIT D 4 RECIRC. NECK	ETRANGLEMENT RECYCLAGE GR.D.4	ENGSTELLE UMWALZUNG D.4
14	4923294004	STROZZATURA RICIRCOLO GR CTS D 5	CTS UNIT D 5 RECIRC. NECK	ETRANGLEMENT RECYCLAGE GR.D.5	ENGSTELLE UMWALZUNG D.5
15	4625707	RACCORDO 1/8x1/4	CONNECTOR 1/8x1/4	RACCORD 1/8x1/4	ANSCHLUSS 1/8x1/4
16	4723229103	RACCORDO 1/8-1/8	CONNECTOR 1/8-1/8	RACCORD 1/8-1/8	ANSCHLUSS 1/8-1/8
17	4918162005	ELETTROVALVOLA AEA 220-240V 50-60Hz VDE	SOL.VALVE WATER REFILL 220/240 50/60HZ	ELECTROVANNE REA 220/240V 50/60Hz VDE	ELEKTROVENTIL AWZ 230/250 V 50/60 Hz VDE
18	4652002088	TUBO D-6 L.45	TUBE D-6 L.45	TUYAU D-6 L.45	ROHR D-6 L.45
19	4623229013	RACCORDO RAPIDO DRITTO 1/8M CIL+OR D-4	QUICK COUPLING 1/8M D-4	RACCORD RAPIDE 1/8M D-4	STECKERBINDUNG 1/8M D-4
20	4652000955	TUBO D-4 L.850	TUBE D-4 L.850	TUYAU D-4 L.850	ROHR D-4 L.850
21	4652000718	TUBO D-6 L.525	TUBE D-6 L.525	TUYAU D-6 L.525	ROHR D-6 L.525
22	4652000714	TUBO D-6 L.370	TUBE D-6 L.370	TUYAU D-6 L.370	ROHR D-6 L.370
23	4652000619	TUBO D-6 L.285	TUBE D-6 L.285	TUYAU D-6 L.285	ROHR D-6 L.285
24	15452136	TUBO SILICONE D-7x11 L.300	TUBE SILICONE D-7x11 L.300	TUYAU SILICONE D-7x11 L.300	SILIKONROHR D7x11 L.300
25	15452160	TUBO SILICONE D-7x11 L.220	TUBE SILICONE D-7x11 L.220	TUYAU SILICONE D-7x11 L.220	SILIKONROHR D7x11 L.220
26	15422017	RACCORDO "T" POLIPROPILENE D-10	"T" POLIPROPILENE FITTING	RACCORD "T" POLIPROPILENE	ANSCHLUSS "T" POLIPROPILENE
27	4952004504	TUBO D-8 L.550	TUBE D-8 L.550	TUYAU D-8 L.550	ROHR D-8 L.550
28	15452001	TUBO TEFLON D-2,5x4	TUBE TEFLON D-2,5x4	TUYAU TEFLON D 2,5x24	TEFLONROHR D 2,5x4
29	4643067	RACCORDO "L" 3/8x3/8	3/8X3/8 L FITTING	RACCORD L 3/8x3/8	ANSCHLUSS L 3/8x3/8
30	25356	CONTRODADO OTTONE 3/8	BRASS LOCK NUT 3/8	CONTRE-ECROU LAITON 3/8	MESSING-GEGENMUTTER 3/8
31	25651	RONDELLA OTTONE 3/8	BRASS WASHER 3/8	RONDELLE LAITON 3/8	MESSINGSCHIEBE 3/8
32	12153003	GUARNIZIONE RAME 1/4 Sp.2	GASKET 1/4 Sp.2 COPPER	JOINT CUIVRE 1/4 Sp.2	KUPFERDICHTUNG 1/4 Sp.2
33	4623229019	RACCORDO RAPIDO DRITTO 1/4F D-4	QUICK COUPLING 1/4F D-4	RACCORD RAPIDE 1/4F D-4	STECKERBINDUNG 1/4F D-4
34	4623229157	RACCORDO RAPIDO -T-	QUICK COUPLING -T-	RACCORD RAPIDE -T-	STECKERBINDUNG -T-
35	15452129	TUBO SILICONE PLATINICO 7x11 L.40	SILICON TUBE	SILICON TUYAU	SILIKON ROHR

## SAE 4GR

Pos	Cod.	Denominazione - IT -	Denomination - GB -	Denomination - FR -	Denomination - DE -
36	4652001175	TUBO D-8 L.43	TUBE D-8 L.43	TUYAU D-8 L.43	ROHR D-8 L.43
37	4620354001	VALVOLA CHIUSURA L.40	PRESSURE RELEASE TAP BULK UNIT L.40	CLAPET FERMETURE AUT.ARRIVEE EAU	ABSPERRVENTIL x AUT.WASSERZUFUHR L.40
38	15056003	FASCETTA BIFILARE A MOLLA D.11-11.6	SPRING CLAMP BI FILAR D11,00-11.6	COLLIER BIFILAIRE RESSORT D.11,00-11.6	SCHELLE D.11-11,6
39	23228025	RACCORDO DRITTO 1/4F + PORTAGOMMA	HOSE CONNECTION 1/4F D-8	PORTE-CAOUTCHOUC 1/4F D-8	GUMMIHALTER 1/4F D-8
40	4952004508	TUBO D-6 L.191	TUBE D-6 L.191	TUYAU D-6 L.191	ROHR D-6 L.191
41	4625707004	RACCORDO DRITTO 1/8 con x1/4	STRAIGHT CONNECTOR 1/8 con-1/4	RACCORD 1/8 con -1/4	ANSCHLUSS 1/8 con-1/4
42	4652000617	TUBO D-6 L.115	TUBE D-6 L.115	TUYAU D-6 L.115	ROHR D-6 L.115
43	25382	DADO 1/4 FORO 9.5 OTTONE	NUT 1/4 HOLE 9.5	ECROU 1/4 TROU 9.5	SCHRAUBENMUTTER 1/4 LOCH 9.5
44	4656136004	BLOCCO DISTRIBUZIONE	DISTRIBUTION BLOCK 2-3-4GR	BLOC DISTRIBUTION 2-3-4GR	BLOCK VERTEILER 2-3-4GR
45	4925732100	RACCORDO 3/8Mx3/8F + SEDE FILTRO	FITTING 3/8Mx3/8F	RACCORD 3/8Mx3/8F	ANSCHLUSS 3/8Mx3/8F
46	15452160	TUBO SILICONE D-7x11 L.220	TUBE SILICONE D-7x11 L.220	TUYAU SILICONE D-7x11 L.220	SILIKONROHR D7x11 L.220
47	10254	FILTRO ACCIAIO 160-200 MESH	STEEL FILTER 160-200 MESH	FILTRE EN ACIER 160-200 MESH	STAHLFILTER 160-200 MESH
48	12312	GUARNIZIONE OR	O RING	JOINT OR	OR DICHTUNG
21	4652004510	TUBO D-8 L.65	TUBE D-8 L.65	TUYAU D-8 L.65	ROHR D-8 L.65
50	4652000851	TUBO D-8 L.45	TUBE D-8 L.45	TUYAU D-8 L.45	ROHR D-8 L.45
51	4620361	VALVOLA S.C.N.R. REGOLABILE	ADJUSTABLE S.C.N.R. VALVE	SOUPAPE S.C.N.R. REGLABLE	EINSTELLBARES VENTIL S.N.C.R.
52	15502002	PARATIA ROMPIGETTO VASCHETTA SCARICO	BULKHEAD	CLOISON	SCHOTT
53	15502003	VASCHETTA SCARICO BACINELLA	DRAIN PAN	DRAIN DE LA BAIGNOIRE	BADEWANNEABLAUF
54	15469001	TUBO CORRUGATO D.19 L.2000	CORRUGATED TUBE D.19 L.2000	TUYAU ONDULE D.19 L.2000	WELLPAPPE TUBE D.19 L.2000
55	4652000951	TUBO D-8 L.765	TUBE D-8 L.765	TUYAU D-8 L.765	ROHR D-8 L.765
56	12100	GUARNIZIONE CU/ALIM 1/4 18.7x13.2x2.5	CU GASKET 1/4 18.7X13.2X2.5	JOINT CU 1/4 18.7X13.2X2.5	CU DICHTUNG 1/4 18.7x13.2x2.5
60	4652000829	TUBO D-6 L.70	TUBE D-6 L.70	TUYAU D-7 L.70	ROHR D-6 L.70
58	4623229111	RACCORDO RAPIDO -L- 1/8M CIL+OR D-4	QUICK COUPLING -L- 1/8M	RACCORD RAPIDE -L- 1/8M	STECKVERBINDUNG -L- 1/8M
59	4918161701	ELETTRORVALVOLA REGOL.PORT.220-240V/50-60Hz	SOL.VALVE 220-240V/50-60Hz	ELECTROVANNE 220-240V/50-60Hz	MAGNETVENTIL 220-240V/50-60Hz
60	4918126	DOSATORE FLOWMETER	FLOWMETER DOSER	KIT DOSEUR	DOSIERER
61	4652001590	TUBO D-6 L.28	TUBE D-6 L.28	TUYAU D-6 L.28	ROHR D-6 L.28
62	4652003057	TUBO D-2 L.1000	TUBE D-2 L.1000	TUYAU D-2 L.1000	ROHR D-2 L.1000
63	4956122000	ASSIEME DOSATORE	DOSEUR KIT	KIT DOSEUR	DOSIERER
64	4925686	RACCORDO 1/4Mx1/4M	CONNECTOR 1/4Mx1/4M	RACCORD 1/4Mx1/4M	ANSCHLUSS 1/4Mx1/4M
65	4925708	RACCORDO 1/4x1/4	1/4X1/4 CW510L FITTING	RACCORD 1/4X1/4	ANSCHLUSS 1/4X1/4
66	12153	GUARNIZIONE RAME 1/4 17x13.3x1.5	GASKET 1/4 17x13.3x1.5 COPPER	JOINT CUIVRE 1/4 17x13.3x1.5	KUPFERDICHTUNG 1/4 17x13.3x1.5
67	12329	GUARNIZIONE OR HNBR 7.66xW1.78	GASKET OR HNBR 7.66xW1.78	JOINT OR HNBR 7.66x1.78	OR DICHTUNG HNBR 7.66xW1.78
68	15452145	TUBO SILICONE D-7x11 L.700	TUBE SILICONE D-7x11 L.700	TUYAU SILICONE D-7x11 L.700	SILIKONROHR D7x11 L.700

TS 2GR



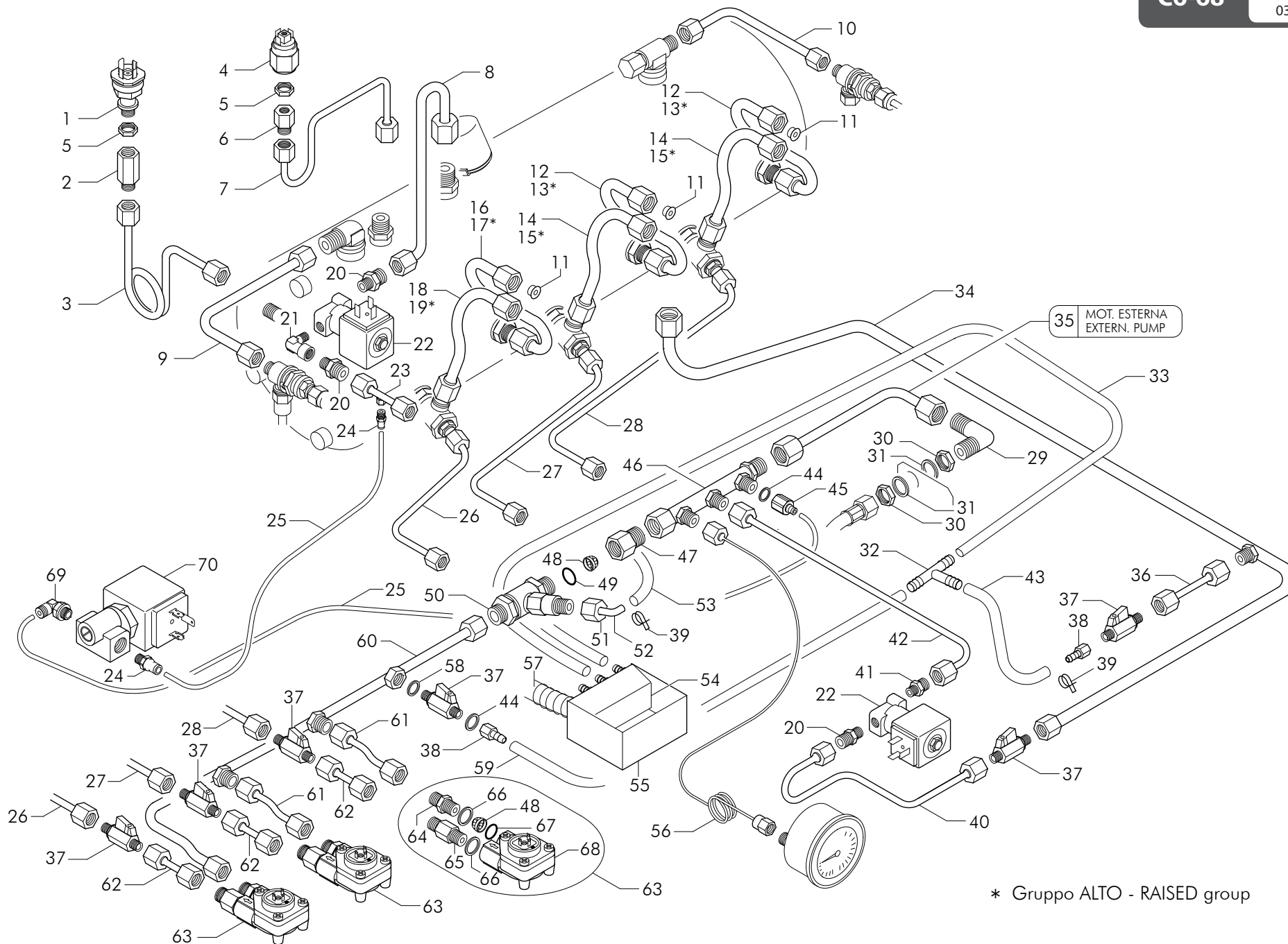
## TS 2GR

Pos	Cod.	Denominazione - IT -	Denomination - GB -	Denomination - FR -	Denomination - DE -
1	18255051	TRASDUTTORE PRESSIONE CALDAIA	BOILER PRESSURE TRANSMITTER	TRANSMETTEUR DE PRESSION CHAUDIERE	DRUCKMESSUMFORMER KESSEL
2	4925743002	RIDUZIONE 1/4Fx1/4M	REDUCTION 1/4Fx1/8M	REDUCTION 1/4Fx1/8M	REDUKTION 1/4Fx1/8M
3	25396	DADO 1/4 SP.4	NUT 1/4 - 4 THICK	ECROU 1/4 SP.4	MUTTER 1/4
4	4952004517	TUBO D-6 L.280	TUBE D-6 L.280	TUYAU D-6 L.280	ROHR D-6 L.280
5	20158	PRESSOSTATO N.C. 1/8 1-5 OT	PRESSURE SWITCH N.C. 1/8 1-5 OT	PRESSOSTAT N.C. 1/8 1-5 OT	DRUCKWACHTER N.C. 1/8 1-5 OT
6	4925743001	RIDUZIONE 1/4Mx1/8F	REDUCTION 1/4Mx1/8F	REDUCTION 1/4Mx1/8F	REDUKTION 1/4Mx1/8F
7	4952004514	TUBO D-6 L.315	TUBE D-8 L.315	TUYAU D-6 L.315	ROHR D-6 L.315
8	4952000578	TUBO D-6 L.140	TUBE D-6 L.140	TUYAU D-6 L.140	ROHR D-6 L.140
9	4952000579	TUBO D-8 L.235	TUBE D-8 L.235	TUYAU D-8 L.235	ROHR D-8 L.235
10	4952000580	TUBO D-8 L.260	TUBE D-8 L.260	TUYAU D-8 L.260	ROHR D-8 L.260
11	4952003934	TUBO D-10 L.210	TUBE D-10 L.210	TUYAU D-10 L.210	ROHR D-10 L.210
12	4952000487	TUBO D-10 L.205	TUBE D-10 L.205	TUYAU D-10 L.205	ROHR D-10 L.205
13	4952000245	TUBO D-10 L.165	TUBE D-10 L.165	TUYAU D-10 L.165	ROHR D-10 L.165
14	4952000488	TUBO D-10 L.200	TUBE D-10 L.200	TUYAU D-10 L.200	ROHR D-10 L.200
15	4952000214	TUBO D-10 L.195	TUBE D-10 L.195	TUYAU D-10 L.195	ROHR D-10 L.195
16	4952000489	TUBO D-10 L.240	TUBE D-10 L.240	TUYAU D-10 L.240	ROHR D-10 L.240
17	4952000272	TUBO D-10 L.135	TUBE D-10 L.135	TUYAU D-10 L.135	ROHR D-10 L.135
18	4952000490	TUBO D-10 L.180	TUBE D-10 L.180	TUYAU D-10 L.180	ROHR D-10 L.180
19	4923294001	STROZZATURA RICIRCOLO GR CTS D 2,5	CTS UNIT D 2,5 RECIRC. NECK	ETRANGLEMENT RECYCLAGE GR.D-2,5	ENGSTELLE UMWALZUNG D.2,5
19	4923294002	STROZZATURA RICIRCOLO GR CTS D.3	CTS UNIT D.3 RECIRC. NECK	ETRANGLEMENT RECYCLAGE GR. D.3	ENGSTELLE UMWALZUNG D.3
19	4923294003	STROZZATURA RICIRCOLO GR CTS D 4	CTS UNIT D 4 RECIRC. NECK	ETRANGLEMENT RECYCLAGE GR.D.4	ENGSTELLE UMWALZUNG D.4
19	4923294004	STROZZATURA RICIRCOLO GR CTS D 5	CTS UNIT D 5 RECIRC. NECK	ETRANGLEMENT RECYCLAGE GR.D.5	ENGSTELLE UMWALZUNG D.5
20	4625707	RACCORDO 1/8x1/4	CONNECTOR 1/8x1/4	RACCORD 1/8x1/4	ANSCHLUSS 1/8x1/4
21	4918162005	ELETTROVALVOLA AEA 220-240V 50-60Hz VDE	SOL.VALVE WATER REFILL 220/240 50/60HZ	ELECTROVANNE REA 220/240V 50/60Hz VDE	ELEKTROVENTIL AWZ 230/250 V 50/60 Hz VDE
22	4723229103	RACCORDO 1/8-1/8	CONNECTOR 1/8-1/8	RACCORD 1/8-1/8	ANSCHLUSS 1/8-1/8
23	4652002088	TUBO D-6 L.45	TUBE D-6 L.45	TUYAU D-6 L.45	ROHR D-6 L.45
24	4623229013	RACCORDO RAPIDO DRITTO 1/8M CIL+OR D-4	QUICK COUPLING 1/8M D-4	RACCORD RAPIDE 1/8M D-4	STECKVERBINDUNG 1/8M D-4
25	4652000714	TUBO D-6 L.370	TUBE D-6 L.370	TUYAU D-6 L.370	ROHR D-6 L.370
26	4652000619	TUBO D-6 L.285	TUBE D-6 L.285	TUYAU D-6 L.285	ROHR D-6 L.285
27	4952004504	TUBO D-8 L.550	TUBE D-8 L.550	TUYAU D-8 L.550	ROHR D-8 L.550
28	4652004510	TUBO D-8 L.65	TUBE D-8 L.65	TUYAU D-8 L.65	ROHR D-8 L.65
29	4643067	RACCORDO "L" 3/8x3/8	3/8X3/8 L FITTING	RACCORD L 3/8x3/8	ANSCHLUSS L 3/8x3/8
30	25356	CONTRODADO OTTONE 3/8	BRASS LOCK NUT 3/8	CONTRE-ECROU LAITON 3/8	MESSING-GEGENMUTTER 3/8
31	25651	RONDELLA OTTONE 3/8	BRASS WASHER 3/8	RONDELLE LAITON 3/8	MESSINGSCHIEBE 3/8
32	15422017	RACCORDO "T" POLIPROPILENE D-10	"T" POLIPROPILENE FITTING	RACCORD "T" POLIPROPILENE	ANSCHLUSS "T" POLIPROPILENE
33	15452159	TUBO SILICONE D-7x11 L.380	TUBE SILICONE D-7x11 L.300	TUYAU SILICONE D-7x11 L.300	SILIKONROHR D7x11 L.300
34	15452129	TUBO SILICONE PLATINICO 7x11 L.40	SILICON TUBE	SILICON TUYAU	SILIKON ROHR
35	23228025	RACCORDO DRITTO 1/4F + PORTAGOMMA	HOSE CONNECTION 1/4F D-8	PORTE-CAOUTCHOUC 1/4F D-8	GUMMIHALTER 1/4F D-8

## TS 2GR

Pos	Cod.	Denominazione - IT -	Denomination - GB -	Denomination - FR -	Denomination - DE -
36	15056003	FASCETTA BIFILARE A MOLLA D.11-11.6	SPRING CLAMP BI FILAR D11,00-11.6	COLLIER BIFILAIRE RESSORT D.11,00-11.6	SCHELLE D.11-11,6
37	12153003	GUARNIZIONE RAME 1/4 Sp.2	GASKET 1/4 Sp.2 COPPER	JOINT CUIVRE 1/4 Sp.2	KUPFERDICHTUNG 1/4 Sp.2
38	4620354001	VALVOLA CHIUSURA L.40	PRESSURE RELEASE TAP BULK UNIT L.40	CLAPET FERMETURE AUT.ARRIVEE EAU	ABSPERRVENTIL x AUT.WASSERZUFUHR L.40
39	4652001175	TUBO D-8 L.43	TUBE D-8 L.43	TUYAU D-8 L.43	ROHR D-8 L.43
40	4952004508	TUBO D-6 L.191	TUBE D-6 L.191	TUYAU D-6 L.191	ROHR D-6 L.191
41	4652000617	TUBO D-6 L.115	TUBE D-6 L.115	TUYAU D-6 L.115	ROHR D-6 L.115
42	4623229019	RACCORDO RAPIDO DRITTO 1/4F D-4	QUICK COUPLING 1/4F D-4	RACCORD RAPIDE 1/4F D-4	STECKVERBINDUNG 1/4F D-4
43	4656136004	BLOCCO DISTRIBUZIONE	DISTRIBUTION BLOCK 2-3-4GR	BLOC DISTRIBUTION 2-3-4GR	BLOCK VERTEILER 2-3-4GR
44	4625732100	RACCORDO 3/8Mx3/8F	FITTING 3/8Mx3/8F	RACCORD 3/8Mx3/8F	ANSCHLUSS 3/8Mx3/8F
45	10254	FILTRO ACCIAIO 160-200 MESH	STEEL FILTER 160-200 MESH	FILTRE EN ACIER 160-200 MESH	STAHLFILTER 160-200 MESH
46	12312	GUARNIZIONE OR	O RING	JOINT OR	OR DICHTUNG
47	4652000851	TUBO D-8 L.45	TUBE D-8 L.45	TUYAU D-8 L.45	ROHR D-8 L.45
48	25382	DADO 1/4 FORO 9.5 OTTONE	NUT 1/4 HOLE 9.5	ECROU 1/4 TROU 9.5	SCHRAUBENMUTTER 1/4 LOCH 9.5
49	15452136	TUBO SILICONE D-7x11 L.300	TUBE SILICONE D-7x11 L.300	TUYAU SILICONE D-7x11 L.300	SILIKONROHR D7x11 L.300
50	4620361	VALVOLA S.C.N.R. REGOLABILE	ADJUSTABLE S.C.N.R. VALVE	SOUPAPE S.C.N.R. REGLABLE	EINSTELLBARES VENTIL S.N.C.R.
51	15502002	PARATIA ROMPIGETTO VASCHETTA SCARICO	BULKHEAD	CLOISON	SCHOTT
52	15502003	VASCHETTA SCARICO BACINELLA	DRAIN PAN	DRAIN DE LA BAIGNOIRE	BADEWANNEABLAUF
53	4652003061	TUBO D-2 L.500	TUBE D-2 L.500	TUYAU D-2 L.500	ROHR D-2 L.500
54	15469001	TUBO CORRUGATO D.19 L.2000	CORRUGATED TUBE D.19 L.2000	TUYAU ONDULE D.19 L.2000	WELLPAPPE TUBE D.19 L.2000
55	15452001	TUBO TEFLON D-2,5x4	TUBE TEFLON D-2,5x4	TUYAU TEFLON D 2,5X24	TEFLONROHR D 2,5x4
56	4918161701	ELETTROVALVOLA REG.PORTAT.20-240V/50-60Hz	SOL.VALVE 220-240V/50-60Hz	ELECTROVANNE 220-240V/50-60Hz	MAGNETVENTIL 220-240V/50-60Hz
57	4623229111	RACCORDO RAPIDO -L- 1/8M CIL+OR D-4	QUICK COUPLING -L- 1/8M	RACCORD RAPIDE -L- 1/8M	STECKVERBINDUNG -L- 1/8M
58	4652000618	TUBO D-8 L.300	TUBE D-8 L.300	TUYAU D-8 L.300	ROHR D-8 L.300
59	4652000829	TUBO D-6 L.70	TUBE D-6 L.70	TUYAU D-7 L.70	ROHR D-6 L.70
60	4952001590	TUBO D-6 L.28	TUBE D-6 L.28	TUYAU D-6 L.28	ROHR D-6 L.28
61	12100	GUARNIZIONE CU/ALIM 1/4 18.7x13.2x2.5	CU GASKET 1/4 18.7X13.2X2.5	JOINT CU 1/4 18.7X13.2X2.5	CU DICHTUNG 1/4 18.7x13.2x2.5
62	4956122000	ASSIEME DOSATORE	DOSER KIT	KIT DOSEUR	DOSIERER
63	4925686	RACCORDO 1/4Mx1/4M	CONNECTOR 1/4Mx1/4M	RACCORD 1/4Mx1/4M	ANSCHLUSS 1/4Mx1/4M
64	4925708	RACCORDO 1/4x1/4	1/4X1/4 CW510L FITTING	RACCORD 1/4X1/4	ANSCHLUSS 1/4X1/4
65	12153	GUARNIZIONE RAME 1/4 17x13.3x1.5	GASKET 1/4 17x13.3x1.5 COPPER	JOINT CUIVRE 1/4 17x13.3x1.5	KUPFERDICHTUNG 1/4 17x13.3x1.5
66	12329	GUARNIZIONE OR HNBR 7.66xW1.78	GASKET OR HNBR 7.66xW1.78	JOINT OR HNBR 7.66x1.78	OR DICHTUNG HNBR 7.66xW1.78
67	4918126	DOSATORE FLOWMETER	FLOWMETER DOSER	KIT DOSEUR	DOSIERER
68	4625707004	RACCORDO DRITTO 1/8 con x1/4	STRAIGHT CONNECTOR 1/8 con-1/4	RACCORD 1/8 con -1/4	ANSCHLUSS 1/8 con-1/4





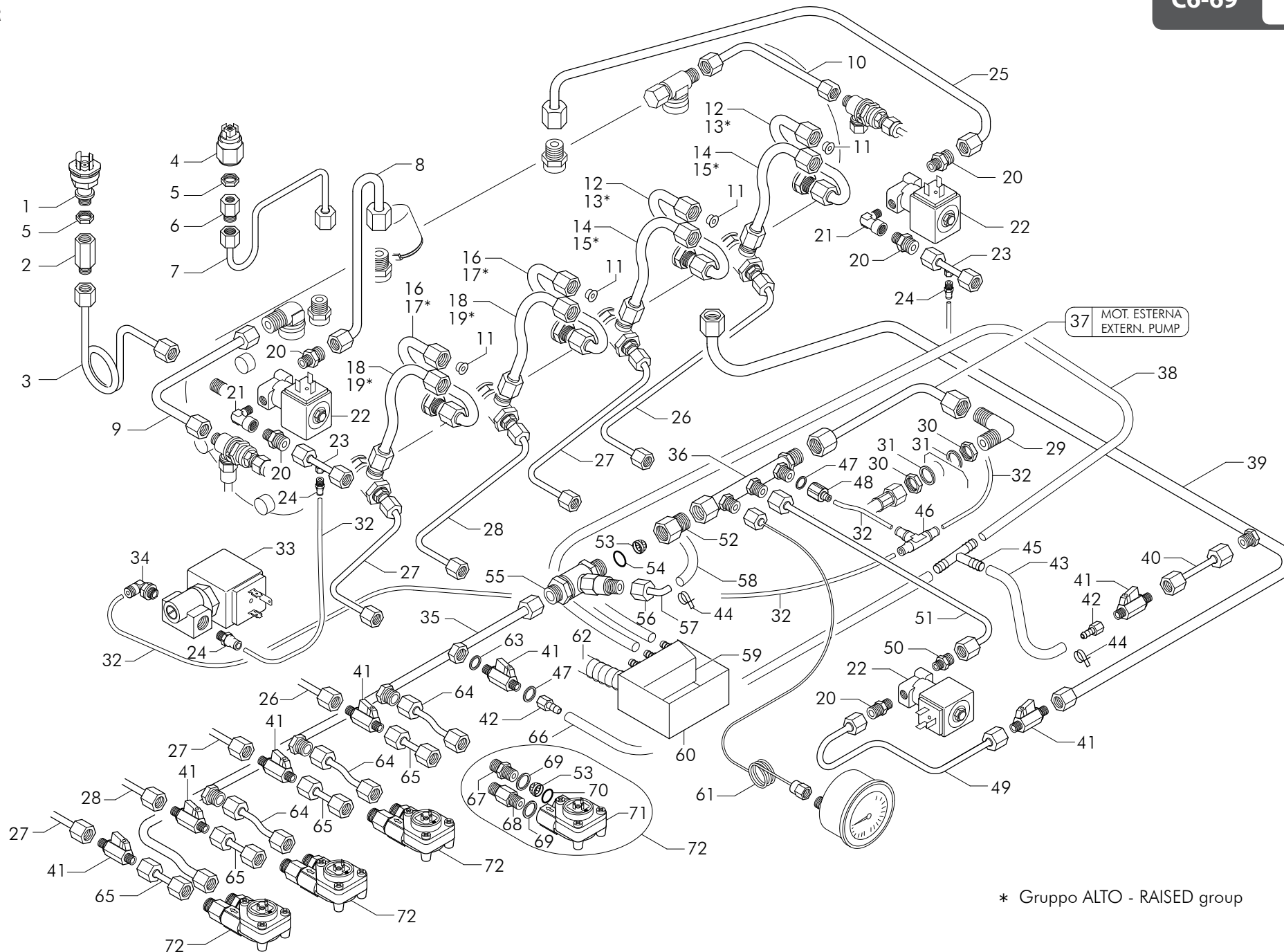
\* Gruppo ALTO - RAISED group

## TS 3GR

Pos	Cod.	Denominazione - IT -	Denomination - GB -	Denomination - FR -	Denomination - DE -
1	18255051	TRASDUTTORE PRESSIONE CALDAIA	BOILER PRESSURE TRANSMITTER	TRANSMETTEUR DE PRESSION CHAUDIERE	DRUCKMESSUMFORMER KESSEL
2	4925743002	RIDUZIONE 1/4Fx1/4M	REDUCTION 1/4Fx1/8M	REDUCTION 1/4Fx1/8M	REDUKTION 1/4Fx1/8M
3	4952004517	TUBO D-6 L.280	TUBE D-6 L.280	TUYAU D-6 L.280	ROHR D-6 L.280
4	20158	PRESSOSTATO N.C. 1/8 1-5 OT	PRESSURE SWITCH N.C. 1/8 1-5 OT	PRESSOSTAT N.C. 1/8 1-5 OT	DRUCKWACHTER N.C. 1/8 1-5 OT
5	25396	DADO 1/4 SP.4	NUT 1/4 - 4 THICK	ECROU 1/4 SP.4	MUTTER 1/4
6	4925743001	RIDUZIONE 1/4Mx1/8F	REDUCTION 1/4Mx1/8F	REDUCTION 1/4Mx1/8F	REDUKTION 1/4Mx1/8F
7	4952004515	TUBO D-6 L.435	TUBE D-6 L.435	TUYAU D-6 L.435	ROHR D-6 L.435
8	4952000578	TUBO D-6 L.140	TUBE D-6 L.140	TUYAU D-6 L.140	ROHR D-6 L.140
9	4952000579	TUBO D-8 L.235	TUBE D-8 L.235	TUYAU D-8 L.235	ROHR D-8 L.235
10	4952000580	TUBO D-8 L.260	TUBE D-8 L.260	TUYAU D-8 L.260	ROHR D-8 L.260
11	4923294001	STROZZATURA RICIRCOLO GR CTS D 2,5	CTS UNIT D 2,5 RECIRC. NECK	ETRANGLEMENT RECYCLAGE GR.D.2,5	ENGSTELLE UMWALZUNG D.2,5
11	4923294002	STROZZATURA RICIRCOLO GR CTS D.3	CTS UNIT D.3 RECIRC. NECK	ETRANGLEMENT RECYCLAGE GR. D.3	ENGSTELLE UMWALZUNG D.3
11	4923294003	STROZZATURA RICIRCOLO GR CTS D 4	CTS UNIT D 4 RECIRC. NECK	ETRANGLEMENT RECYCLAGE GR.D.4	ENGSTELLE UMWALZUNG D.4
11	4923294004	STROZZATURA RICIRCOLO GR CTS D 5	CTS UNIT D 5 RECIRC. NECK	ETRANGLEMENT RECYCLAGE GR.D.5	ENGSTELLE UMWALZUNG D.5
12	4952003934	TUBO D-10 L.210	TUBE D-10 L.210	TUYAU D-10 L.210	ROHR D-10 L.210
13	4952000487	TUBO D-10 L.205	TUBE D-10 L.205	TUYAU D-10 L.205	ROHR D-10 L.205
14	4952000245	TUBO D-10 L.165	TUBE D-10 L.165	TUYAU D-10 L.165	ROHR D-10 L.165
15	4952000488	TUBO D-10 L.200	TUBE D-10 L.200	TUYAU D-10 L.200	ROHR D-10 L.200
16	4952000214	TUBO D-10 L.195	TUBE D-10 L.195	TUYAU D-10 L.195	ROHR D-10 L.195
17	4952000489	TUBO D-10 L.240	TUBE D-10 L.240	TUYAU D-10 L.240	ROHR D-10 L.240
18	4952000272	TUBO D-10 L.135	TUBE D-10 L.135	TUYAU D-10 L.135	ROHR D-10 L.135
19	4952000490	TUBO D-10 L.180	TUBE D-10 L.180	TUYAU D-10 L.180	ROHR D-10 L.180
20	4625707	RACCORDO 1/8x1/4	CONNECTOR 1/8x1/4	RACCORD 1/8x1/4	ANSCHLUSS 1/8x1/4
21	4723229103	RACCORDO 1/8-1/8	CONNECTOR 1/8-1/8	RACCORD 1/8-1/8	ANSCHLUSS 1/8-1/8
22	4918162005	ELETTRIVALVOLA AEA 220-240V 50-60HZ VDE	SOL.VALVE WATER REFILL 220/240 50/60HZ	ELECTROVANNE REA 220/240V 50/60Hz VDE	ELEKTROVENTIL AWZ 230/250 V 50/60 Hz VDE
23	4652002088	TUBO D-6 L.45	TUBE D-6 L.45	TUYAU D-6 L.45	ROHR D-6 L.45
24	4623229013	RACCORDO RAPIDO DRITTO 1/8M CIL+OR D-4	QUICK COUPLING 1/8M D-4	RACCORD RAPIDE 1/8M D-4	STECKVERBINDUNG 1/8M D-4
25	15452001	TUBO TEFLON D-2,5x4	TUBE TEFLON D-2,5x4	TUYAU TEFLON D 2,5X24	TEFLONROHR D 2,5x4
26	4652000619	TUBO D-6 L.285	TUBE D-6 L.285	TUYAU D-6 L.285	ROHR D-6 L.285
27	4652000714	TUBO D-6 L.370	TUBE D-6 L.370	TUYAU D-6 L.370	ROHR D-6 L.370
28	4652000718	TUBO D-6 L.525	TUBE D-6 L.525	TUYAU D-6 L.525	ROHR D-6 L.525
29	4643067	RACCORDO "L" 3/8x3/8	3/8X3/8 L FITTING	RACCORD L 3/8x3/8	ANSCHLUSS L 3/8x3/8
30	25356	CONTRODADO OTTONE 3/8	BRASS LOCK NUT 3/8	CONTRE-ECROU LAITON 3/8	MESSING-GEGENMUTTER 3/8
31	25651	RONDELLA OTTONE 3/8	BRASS WASHER 3/8	RONDELLE LAITON 3/8	MESSINGSCHIEBE 3/8
32	15422017	RACCORDO "T" POLIPROPILENE D-10	"T" POLIPROPILENE FITTING	RACCORD "T" POLIPROPILENE	ANSCHLUSS "T" POLIPROPILENE
33	15452159	TUBO SILICONE D-7x11 L.380	TUBE SILICONE D-7x11 L.300	TUYAU SILICONE D-7x11 L.300	SILIKONROHR D7x11 L.300
34	4952004504	TUBO D-8 L.550	TUBE D-8 L.550	TUYAU D-8 L.550	ROHR D-8 L.550
35	4652004510	TUBO D-8 L.65	TUBE D-8 L.65	TUYAU D-8 L.65	ROHR D-8 L.65

## TS 3GR

Pos	Cod.	Denominazione - IT -	Denomination - GB -	Denomination - FR -	Denomination - DE -
36	4652001175	TUBO D-8 L.43	TUBE D-8 L.43	TUYAU D-8 L.43	ROHR D-8 L.43
37	4620354001	VALVOLA CHIUSURA L.40	PRESSURE RELEASE TAP BULK UNIT L.40	CLAPET FERMETURE AUT.ARRIVEE EAU	ABSPERRVENTIL x AUT.WASSERZUFUHR L.40
38	23228025	RACCORDO DRITTO 1/4F + PORTAGOMMA	HOSE CONNECTION 1/4F D-8	PORTE-CAOUTCHOUC 1/4F D-8	GUMMIHALTER 1/4F D-8
39	15056003	FASCETTA BIFILARE A MOLLA D.11-11.6	SPRING CLAMP BI FILAR D11,00-11.6	COLLIER BIFILAIRE RESSORT D.11,00-11.6	SHELLE D.11-11,6
40	4952004508	TUBO D-6 L.191	TUBE D-6 L.191	TUYAU D-6 L.191	ROHR D-6 L.191
41	4625707004	RACCORDO DRITTO 1/8 con x1/4	STRAIGHT CONNECTOR 1/8 con-1/4	RACCORD 1/8 con -1/4	ANSCHLUSS 1/8 con-1/4
42	4652000617	TUBO D-6 L.115	TUBE D-6 L.115	TUYAU D-6 L.115	ROHR D-6 L.115
43	15452129	TUBO SILICONE PLATINICO 7x11 L.40	SILICON TUBE	SILICON TUYAU	SILIKON ROHR
44	12153003	GUARNIZIONE RAME 1/4 Sp.2	GASKET 1/4 Sp.2 COPPER	JOINT CUIVRE 1/4 Sp.2	KUPFERDICHTUNG 1/4 Sp.2
45	4623229019	RACCORDO RAPIDO DRITTO 1/4F D-4	QUICK COUPLING 1/4F D-4	RACCORD RAPIDE 1/4F D-4	STECKVERBINDUNG 1/4F D-4
46	4656136004	BLOCCO DISTRIBUZIONE	DISTRIBUTION BLOCK 2-3-4GR	BLOC DISTRIBUTION 2-3-4GR	BLOCK VERTEILER 2-3-4GR
47	4625732100	RACCORDO 3/8Mx3/8F	FITTING 3/8Mx3/8F	RACCORD 3/8Mx3/8F	ANSCHLUSS 3/8Mx3/8F
48	10254	FILTRO ACCIAIO 160-200 MESH	STEEL FILTER 160-200 MESH	FILTRE EN ACIER 160-200 MESH	STAHLFILTER 160-200 MESH
50	4620361	VALVOLA S.C.N.R. REGOLABILE	ADJUSTABLE S.C.N.R. VALVE	SOUPAPE S.C.N.R. REGLABLE	EINSTELLBARES VENTIL S.N.C.R.
51	25382	DADO 1/4 FORO 9.5 OTTONE	NUT 1/4 HOLE 9.5	ECROU 1/4 TROU 9.5	SCHRAUBENMUTTER 1/4 LOCH 9.5
52	4652000851	TUBO D-8 L.45	TUBE D-8 L.45	TUYAU D-8 L.45	ROHR D-8 L.45
53	15452136	TUBO SILICONE D-7x11 L.300	TUBE SILICONE D-7x11 L.300	TUYAU SILICONE D-7x11 L.300	SILIKONROHR D7x11 L.300
54	15502002	PARATIA ROMPIGETTO VASCHETTA SCARICO	BULKHEAD	CLOISON	SCHOTT
55	15502003	VASCHETTA SCARICO BACINELLA	DRAIN PAN	DRAIN DE LA BAIGNOIRE	BADEWANNEABLAUF
56	4652003062	TUBO D-2 L.1000	TUBE D-2 L.1000	TUYAU D-2 L.1000	ROHR D-2 L.1000
57	15469001	TUBO CORRUGATO D.19 L.2000	CORRUGATED TUBE D.19 L.2000	TUYAU ONDULE D.19 L.2000	WELLPAPPE TUBE D.19 L.2000
58	12100	GUARNIZIONE CU/ALIM 1/4 18.7x13.2x2.5	CU GASKET 1/4 18.7X13.2X2.5	JOINT CU 1/4 18.7X13.2X2.5	CU DICHTUNG 1/4 18.7x13.2x2.5
59	15452144	TUBO SILICONE D-7x11 L.500	TUBE SILICONE D-7x11 L.500	TUYAU SILICONE D-7x11 L.500	SILIKONROHR D7x11 L.500
60	4652000717	TUBO D-8 L.535	TUBE D-8 L.535	TUYAU D-8 L.535	ROHR D-8 L.535
61	4652000829	TUBO D-6 L.70	TUBE D-6 L.70	TUYAU D-7 L.70	ROHR D-6 L.70
62	4652001590	TUBO D-6 L.28	TUBE D-6 L.28	TUYAU D-6 L.28	ROHR D-6 L.28
63	4956122000	ASSIEME DOSATORE	DOSER KIT	KIT DOSEUR	DOSIERER
64	4925686	RACCORDO 1/4Mx1/4M	CONNECTOR 1/4Mx1/4M	RACCORD 1/4Mx1/4M	ANSCHLUSS 1/4Mx1/4M
65	4925708	RACCORDO 1/4x1/4	1/4X1/4 CW510L FITTING	RACCORD 1/4X1/4	ANSCHLUSS 1/4X1/4
66	12153	GUARNIZIONE RAME 1/4 17x13.3x1.5	GASKET 1/4 17x13.3x1.5 COPPER	JOINT CUIVRE 1/4 17x13.3x1.5	KUPFERDICHTUNG 1/4 17x13.3x1.5
67	12329	GUARNIZIONE OR HNBR 7.66xW1.78	GASKET OR HNBR 7.66xW1.78	JOINT OR HNBR 7.66x1.78	OR DICHTUNG HNBR 7.66xW1.78
68	4918126	DOSATORE FLOWMETER	FLOWMETER DOSER	KIT DOSEUR	DOSIERER
69	4623229111	RACCORDO RAPIDO -L- 1/8M CIL+OR D-4	QUICK COUPLING -L- 1/8M	RACCORD RAPIDE -L- 1/8M	STECKVERBINDUNG -L- 1/8M
70	4918161701	ELETTROVALVOLA REG.PORTAT.220-240V/50-60HZ	SOL.VALVE 220-240V/50-60HZ	ELECTROVANNE 220-240V/50-60HZ	MAGNETVENTIL 220-240V/50-60HZ



\* Gruppo ALTO - RAISED group

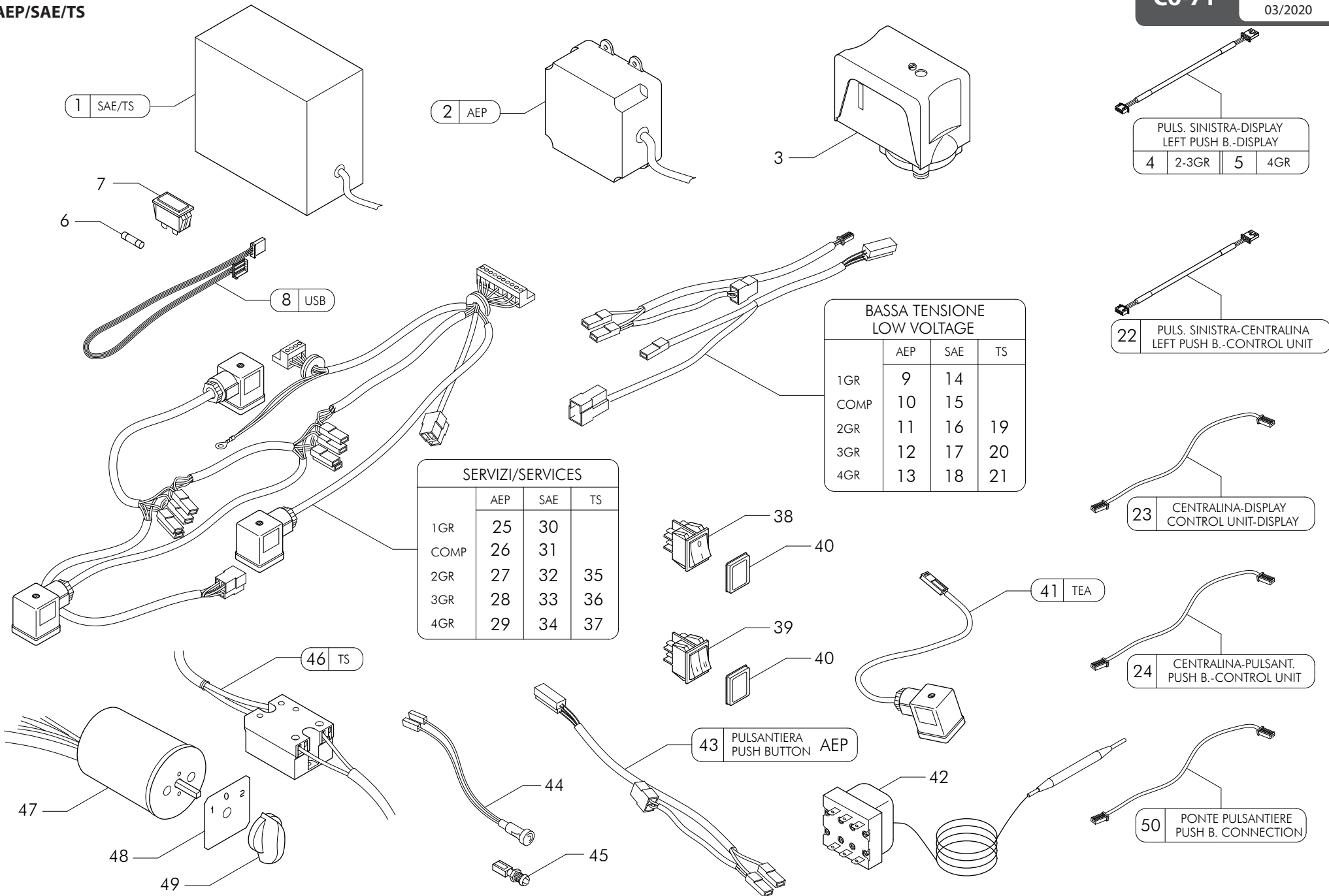
## TS 4GR

Pos	Cod.	Denominazione - IT -	Denomination - GB -	Denomination - FR -	Denomination - DE -
1	18255051	TRASDUTTORE PRESSIONE CALDAIA	BOILER PRESSURE TRANSMITTER	TRANSMETTEUR DE PRESSION CHAUDIERE	DRUCKMESSUMFORMER KESSEL
2	4925743002	RIDUZIONE 1/4Fx1/4M	REDUCTION 1/4Fx1/8M	REDUCTION 1/4Fx1/8M	REDUKTION 1/4Fx1/8M
3	4952004517	TUBO D-6 L.280	TUBE D-6 L.280	TUYAU D-6 L.280	ROHR D-6 L.280
4	20158	PRESSOSTATO N.C. 1/8 1-5 OT	PRESSURE SWITCH N.C. 1/8 1-5 OT	PRESSOSTAT N.C. 1/8 1-5 OT	DRUCKWACHTER N.C. 1/8 1-5 OT
5	25396	DADO 1/4 SP.4	NUT 1/4 - 4 THICK	ECROU 1/4 SP.4	MUTTER 1/4
6	4925743001	RIDUZIONE 1/4Mx1/8F	REDUCTION 1/4Mx1/8F	REDUCTION 1/4Mx1/8F	REDUKTION 1/4Mx1/8F
7	4952004515	TUBO D-6 L.435	TUBE D-6 L.435	TUYAU D-6 L.435	ROHR D-6 L.435
8	4952000578	TUBO D-6 L.140	TUBE D-6 L.140	TUYAU D-6 L.140	ROHR D-6 L.140
9	4952000579	TUBO D-8 L.235	TUBE D-8 L.235	TUYAU D-8 L.235	ROHR D-8 L.235
10	4952000580	TUBO D-8 L.260	TUBE D-8 L.260	TUYAU D-8 L.260	ROHR D-8 L.260
11	4923294001	STROZZATURA RICIRCOLO GR CTS D 2,5	CTS UNIT D 2,5 RECIRC. NECK	ETRANGLEMENT RECYCLAGE GR.D.2,5	ENGSTELLE UMWALZUNG D.2,5
11	4923294002	STROZZATURA RICIRCOLO GR CTS D.3	CTS UNIT D.3 RECIRC. NECK	ETRANGLEMENT RECYCLAGE GR. D.3	ENGSTELLE UMWALZUNG D.3
11	4923294003	STROZZATURA RICIRCOLO GR CTS D 4	CTS UNIT D 4 RECIRC. NECK	ETRANGLEMENT RECYCLAGE GR.D.4	ENGSTELLE UMWALZUNG D.4
11	4923294004	STROZZATURA RICIRCOLO GR CTS D 5	CTS UNIT D 5 RECIRC. NECK	ETRANGLEMENT RECYCLAGE GR.D.5	ENGSTELLE UMWALZUNG D.5
12	4952003934	TUBO D-10 L.210	TUBE D-10 L.210	TUYAU D-10 L.210	ROHR D-10 L.210
13	4952000487	TUBO D-10 L.205	TUBE D-10 L.205	TUYAU D-10 L.205	ROHR D-10 L.205
14	4952000245	TUBO D-10 L.165	TUBE D-10 L.165	TUYAU D-10 L.165	ROHR D-10 L.165
15	4952000488	TUBO D-10 L.200	TUBE D-10 L.200	TUYAU D-10 L.200	ROHR D-10 L.200
16	4952000214	TUBO D-10 L.195	TUBE D-10 L.195	TUYAU D-10 L.195	ROHR D-10 L.195
17	4952000489	TUBO D-10 L.240	TUBE D-10 L.240	TUYAU D-10 L.240	ROHR D-10 L.240
18	4952000272	TUBO D-10 L.135	TUBE D-10 L.135	TUYAU D-10 L.135	ROHR D-10 L.135
19	4952000490	TUBO D-10 L.180	TUBE D-10 L.180	TUYAU D-10 L.180	ROHR D-10 L.180
20	4625707	RACCORDO 1/8x1/4	CONNECTOR 1/8x1/4	RACCORD 1/8x1/4	ANSCHLUSS 1/8x1/4
21	4723229103	RACCORDO 1/8-1/8	CONNECTOR 1/8-1/8	RACCORD 1/8-1/8	ANSCHLUSS 1/8-1/8
22	4918162005	ELETTROVALVOLA AEA 220-240V 50-60Hz VDE	SOL.VALVE WATER REFILL 220/240 50/60HZ	ELECTROVANNE REA 220/240V 50/60Hz VDE	ELEKTROVENTIL AWZ 230/250 V 50/60 Hz VDE
23	4652002088	TUBO D-6 L.45	TUBE D-6 L.45	TUYAU D-6 L.45	ROHR D-6 L.45
24	4623229013	RACCORDO RAPIDO DRITTO 1/8M CIL+OR D-4	QUICK COUPLING 1/8M D-4	RACCORD RAPIDE 1/8M D-4	STECKVERBINDUNG 1/8M D-4
25	4952000952	TUBO D-6 L.260	TUBE D-6 L.260	TUYAU D-6 L.260	ROHR D-6 L.260
26	4652000718	TUBO D-6 L.525	TUBE D-6 L.525	TUYAU D-6 L.525	ROHR D-6 L.525
27	4652000714	TUBO D-6 L.370	TUBE D-6 L.370	TUYAU D-6 L.370	ROHR D-6 L.370
28	4652000619	TUBO D-6 L.285	TUBE D-6 L.285	TUYAU D-6 L.285	ROHR D-6 L.285
29	4643067	RACCORDO "L" 3/8x3/8	3/8X3/8 L FITTING	RACCORD L 3/8x3/8	ANSCHLUSS L 3/8x3/8
30	25356	CONTRODADO OTTONE 3/8	BRASS LOCK NUT 3/8	CONTRE-ECROU LAITON 3/8	MESSING-GEGENMUTTER 3/8
31	25651	RONDELLA OTTONE 3/8	BRASS WASHER 3/8	RONDELLE LAITON 3/8	MESSINGSCHIEBE 3/8
32	15452001	TUBO TEFLON D-2,5x4	TUBE TEFLON D-2,5x4	TUYAU TEFLON D 2,5X24	TEFLONROHR D 2,5x4
33	4918161701	ELETTROVALVOLA REG.PORTAT.220-240V/50-60Hz	SOL.VALVE 220-240V/50-60Hz	ELECTROVANNE 220-240V/50-60Hz	MAGNETVENTIL 220-240V/50-60Hz
34	4623229111	RACCORDO RAPIDO -L- 1/8M CIL+OR D-4	QUICK COUPLING -L- 1/8M	RACCORD RAPIDE -L- 1/8M	STECKVERBINDUNG -L- 1/8M
35	4652000717	TUBO D-8 L.535	TUBE D-8 L.535	TUYAU D-8 L.535	ROHR D-8 L.535

## TS 4GR

Pos	Cod.	Denominazione - IT -	Denomination - GB -	Denomination - FR -	Denomination - DE -
36	4656136004	BLOCCO DISTRIBUZIONE	DISTRIBUTION BLOCK 2-3-4GR	BLOC DISTRIBUTION 2-3-4GR	BLOCK VERTEILER 2-3-4GR
37	4652004510	TUBO D-8 L.65	TUBE D-8 L.65	TUYAU D-8 L.65	ROHR D-8 L.65
38	15452159	TUBO SILICONE D-7x11 L.380	TUBE SILICONE D-7x11 L.300	TUYAU SILICONE D-7x11 L.300	SILIKONROHR D7x11 L.300
39	4952004504	TUBO D-8 L.550	TUBE D-8 L.550	TUYAU D-8 L.550	ROHR D-8 L.550
40	4652001175	TUBO D-8 L.43	TUBE D-8 L.43	TUYAU D-8 L.43	ROHR D-8 L.43
41	4620354001	VALVOLA CHIUSURA L.40	PRESSURE RELEASE TAP BULK UNIT L.40	CLAPET FERMETURE AUT.ARRIVEE EAU	ABSPERRVENTIL x AUT.WASSERZUFUHR L.40
42	23228025	RACCORDO DRITTO 1/4F + PORTAGOMMA	HOSE CONNECTION 1/4F D-8	PORTE-CAOUTCHOUC 1/4F D-8	GUMMIHALTER 1/4F D-8
43	15452129	TUBO SILICONE PLATINICO 7x11 L.40	SILICON TUBE	SILICON TUYAU	SILIKON ROHR
44	15056003	FASCETTA BIFILARE A MOLLA D.11-11.6	SPRING CLAMP BI FILAR D11,00-11.6	COLLIER BIFILAIRE RESSORT D.11,00-11.6	SHELLE D.11-11,6
45	15422017	RACCORDO "T" POLIPROPILENE D-10	"T" POLIPROPILENE FITTING	RACCORD "T" POLIPROPILENE	ANSCHLUSS "T" POLIPROPILENE
46	4623229157	RACCORDO RAPIDO -T-	QUICK COUPLING -T-	RACCORD RAPIDE -T-	STECKVERBINDUNG -T-
47	12153003	GUARNIZIONE RAME 1/4 Sp.2	GASKET 1/4 Sp.2 COPPER	JOINT CUIVRE 1/4 Sp.2	KUPFERDICHTUNG 1/4 Sp.2
48	4623229019	RACCORDO RAPIDO DRITTO 1/4F D-4	QUICK COUPLING 1/4F D-4	RACCORD RAPIDE 1/4F D-4	STECKVERBINDUNG 1/4F D-4
49	4952004508	TUBO D-6 L.191	TUBE D-6 L.191	TUYAU D-6 L.191	ROHR D-6 L.191
50	4625707004	RACCORDO DRITTO 1/8 con x1/4	STRAIGHT CONNECTOR 1/8 con-1/4	RACCORD 1/8 con -1/4	ANSCHLUSS 1/8 con-1/4
51	4652000617	TUBO D-6 L.115	TUBE D-6 L.115	TUYAU D-6 L.115	ROHR D-6 L.115
52	4625732100	RACCORDO 3/8Mx3/8F	FITTING 3/8Mx3/8F	RACCORD 3/8Mx3/8F	ANSCHLUSS 3/8Mx3/8F
53	10254	FILTRO ACCIAIO 160-200 MESH	STEEL FILTER 160-200 MESH	FILTRE EN ACIER 160-200 MESH	STAHLFILTER 160-200 MESH
54	12312	GUARNIZIONE OR	O RING	JOINT OR	OR DICHTUNG
55	4620361	VALVOLA S.C.N.R. REGOLABILE	ADJUSTABLE S.C.N.R. VALVE	SOUPAPE S.C.N.R. REGLABLE	EINSTELLBARES VENTIL S.N.C.R.
56	25382	DADO 1/4 FORO 9.5 OTTONE	NUT 1/4 HOLE 9.5	ECROU 1/4 TROU 9.5	SCHRAUBENMUTTER 1/4 LOCH 9.5
57	4652000851	TUBO D-8 L.45	TUBE D-8 L.45	TUYAU D-8 L.45	ROHR D-8 L.45
58	15452136	TUBO SILICONE D-7x11 L.300	TUBE SILICONE D-7x11 L.300	TUYAU SILICONE D-7x11 L.300	SILIKONROHR D7x11 L.300
59	15502002	PARATIA ROMPIGETTO VASCHETTA SCARICO	BULKHEAD	CLOISON	SCHOTT
60	15502003	VASCHETTA SCARICO BACINELLA	DRAIN PAN	DRAIN DE LA BAIGNOIRE	BADEWANNEABLAUF
61	4652003062	TUBO D-2 L.1000	TUBE D-2 L.1000	TUYAU D-2 L.1000	ROHR D-2 L.1000
62	15469001	TUBO CORRUGATO D.19 L.2000	CORRUGATED TUBE D.19 L.2000	TUYAU ONDULE D.19 L.2000	WELLPAPPE TUBE D.19 L.2000
63	12100	GUARNIZIONE CU/ALIM 1/4 18.7x13.2x2.5	CU GASKET 1/4 18.7X13.2X2.5	JOINT CU 1/4 18.7X13.2X2.5	CU DICHTUNG 1/4 18.7x13.2x2.5
64	4652000829	TUBO D-6 L.70	TUBE D-6 L.70	TUYAU D-7 L.70	ROHR D-6 L.70
65	4652001590	TUBO D-6 L.28	TUBE D-6 L.28	TUYAU D-6 L.28	ROHR D-6 L.28
66	15452144	TUBO SILICONE D-7x11 L.500	TUBE SILICONE D-7x11 L.500	TUYAU SILICONE D-7x11 L.500	SILIKONROHR D7x11 L.500
67	4925686	RACCORDO 1/4Mx1/4M	CONNECTOR 1/4Mx1/4M	RACCORD 1/4Mx1/4M	ANSCHLUSS 1/4Mx1/4M
68	4925708	RACCORDO 1/4x1/4	1/4X1/4 CW510L FITTING	RACCORD 1/4X1/4	ANSCHLUSS 1/4X1/4
69	12153	GUARNIZIONE RAME 1/4 17x13.3x1.5	GASKET 1/4 17x13.3x1.5 COPPER	JOINT CUIVRE 1/4 17x13.3x1.5	KUPFERDICHTUNG 1/4 17x13.3x1.5
70	12329	GUARNIZIONE OR HNBR 7.66xW1.78	GASKET OR HNBR 7.66xW1.78	JOINT OR HNBR 7.66x1.78	OR DICHTUNG HNBR 7.66xW1.78
71	4918126	DOSATORE FLOWMETER	FLOWMETER DOSER	KIT DOSEUR	DOSIERER
72	4956122000	ASSIEME DOSATORE	DOSER KIT	KIT DOSEUR	DOSIERER

AEP/SAE/TS



PULS. SINISTRA-DISPLAY  
LEFT PUSH B.-DISPLAY

4	2-3GR	5	4GR
---	-------	---	-----

22 PULS. SINISTRA-CENTRALINA  
LEFT PUSH B.-CONTROL UNIT

23 CENTRALINA-DISPLAY  
CONTROL UNIT-DISPLAY

24 CENTRALINA-PULSANT.  
PUSH B.-CONTROL UNIT

50 PONTE PULSANTIERE  
PUSH B. CONNECTION

BASSA TENSIONE  
LOW VOLTAGE

	AEP	SAE	TS
1GR	9	14	
COMP	10	15	
2GR	11	16	19
3GR	12	17	20
4GR	13	18	21

SERVIZI/SERVICES

	AEP	SAE	TS
1GR	25	30	
COMP	26	31	
2GR	27	32	35
3GR	28	33	36
4GR	29	34	37

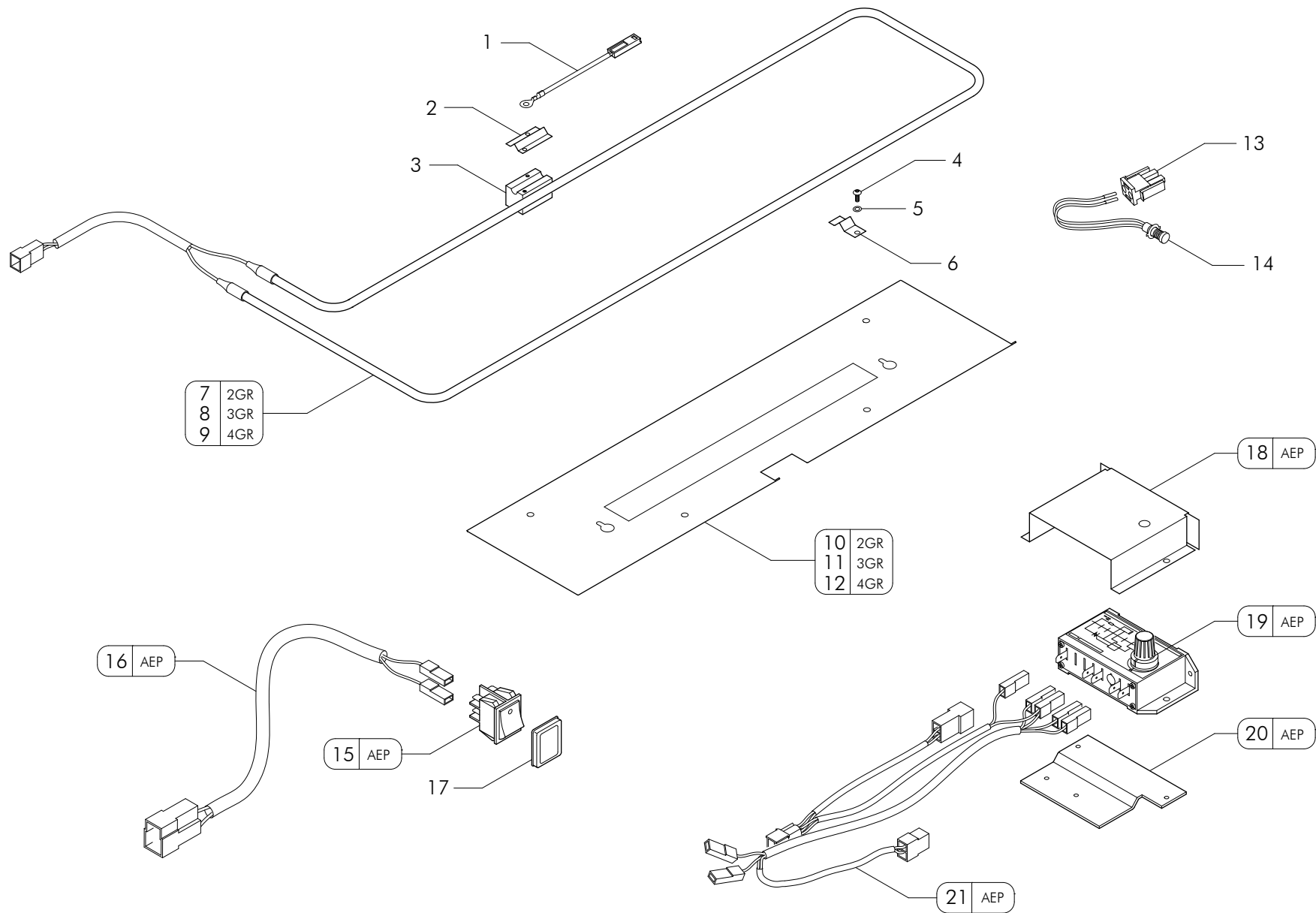
## AEP/SAE/TS

Pos	Cod.	Denominazione - IT -	Denomination - GB -	Denomination - FR -	Denomination - DE -
1	18090230	CENTRALINA 1-3GR 100/240V	CONTROL UNIT	UNIT DE CONTROLE	STEUEREINHEIT
2	18090237	DOSATURA MANUALE AEP/1-4GR 230V	MANUAL DOSAGE	DOSAGE MANUEL	MANUELLE DOSIERUNG
2	18090238	DOSATURA MANUALE AEP/1-4GR 120V	MANUAL DOSAGE	DOSAGE MANUEL	MANUELLE DOSIERUNG
3	20150	PRESSOSTATO SECCO SIRAI 30A	DRY PRESSURE SWITCH SIRAI 30A	PRESSOSTAT SEC SIRAI 30A	TROCKENDRUCKWACHTER SIRAI 30A
4	22716202	CAVO PULSANT.SINISTRA DISPLAY 2P	WIRING	CABLAGE	VERDRAHTUNG
5	22716203	CAVO PULSANT. SINISTRA DISPLAY	WIRING	CABLAGE	VERDRAHTUNG
6	19103	FUSIBILE 5x20 6.3A ST520263 OMEGA UL/VDE	FUSE 5x20 6.3A ST520263 OMEGA	FUSIBLE 5x20 6.3A ST520263 OMEGA	SCHMELZSICH.OMAGEA 5x20 ST520263
6	19104	FUSIBILE OMEGA 5x20 10A UL/VDE	FUSE OMEGA 5x20 T-10A	FUSIBLE OMEGA 5x20 T-10A	SCHMELZSICHERUNG OMEGA 5x20 T-10A
6	19106	FUSIBILE OMEGA 5x20 T-500mA	FUSE OMEGA 5x20 T-500mA	FUSIBLE OMEGA 5x20 T-500mA	SCHMELZSICHERUNG OMEGA 5x20 T-500mA
7	19123002	PORTAFUSIBILE F430 250V 10A UR/VDE	FUSE HOLDER 250V 10A UR	PORTE-FUSIBLE 250V 10A UR	SICHRUNGSHALTER 250V 10A UR
8	22628035	CAVO MICRO USB	MICRO USB CABLE	MICRO USB CABLE	MICRO USB KABEL
9	22716172	CABLAGGIO BASSA TENSIONE AEP/1	LOW TENSION WIRING AEP/1	CABLAGE DE BASSE TENSION AEP/1	NIEDERSPANNUNG VERDR. AEP/1
10	22716173	CABLAGGIO BASSA TENSIONE AEP/2C	LOW TENSION WIRING AEP/2C	CABLAGE DE BASSE TENSION AEP/2C	NIEDERSPANNUNG VERDR. AEP/2C
11	22716174	CABLAGGIO BASSA TENSIONE AEP/2	LOW TENSION WIRING AEP/2	CABLAGE DE BASSE TENSION AEP/2	NIEDERSPANNUNG VERDR. AEP/2
12	22716175	CABLAGGIO BASSA TENSIONE AEP/3	LOW TENSION WIRING AEP/3	CABLAGE DE BASSE TENSION AEP/3	NIEDERSPANNUNG VERDR. AEP/3
13	22716176	CABLAGGIO BASSA TENSIONE AEP/4	LOW TENSION WIRING AEP/4	CABLAGE DE BASSE TENSION AEP/4	NIEDERSPANNUNG VERDR. AEP/4
14	22716133	CABLAGGIO BASSA TENSIONE SAE/1	LOW TENSION WIRING SAE/1	CABLAGE DE BASSE TENSION SAE/1	NIEDERSPANNUNG DIENST. SAE/1
15	22716134	CABLAGGIO BASSA TENSIONE SAE/2C	LOW TENSION WIRING SAE/2C	CABLAGE DE BASSE TENSION SAE/2C	NIEDERSPANNUNG DIENST. SAE/2C
16	22716135	CABLAGGIO BASSA TENSIONE SAE/2	LOW TENSION WIRING SAE/2	CABLAGE DE BASSE TENSION SAE/2	NIEDERSPANNUNG DIENST. SAE/2
17	22716136	CABLAGGIO BASSA TENSIONE SAE/3	LOW TENSION WIRING SAE/3	CABLAGE DE BASSE TENSION SAE/3	NIEDERSPANNUNG DIENST. SAE/3
18	22716137	CABLAGGIO BASSA TENSIONE SAE/4	LOW TENSION WIRING SAE/4	CABLAGE DE BASSE TENSION SAE/4	NIEDERSPANNUNG DIENST. SAE/4
19	22716169	CABLAGGIO BASSA TENSIONE SAE/2+DISPLAY	LOW TENSION WIRING SAE/2+DSP	CABLAGE DE BASSE TENSION SAE/2+DSP	NIEDERSPANNUNG SAE/2+DSP
20	22716170	CABLAGGIO BASSA TENSIONE SAE/3+DISPLAY	LOW TENSION WIRING SAE/3+DSP	CABLAGE DE BASSE TENSION SAE/3+DSP	NIEDERSPANNUNG SAE/3+DSP
21	22716171	CABLAGGIO BASSA TENSIONE SAE/4+DISPLAY	LOW TENSION WIRING SAE/4+DSP	CABLAGE DE BASSE TENSION SAE/4+DSP	NIEDERSPANNUNG SAE/4+DSP
22	22716204	CAVO PULSANTIERA SINISTRA CENTRALINA 2P	WIRING	CABLAGE	VERDRAHTUNG
23	22716146	CAVO COLLEGAMENTO CENTALINA DISPLAY	WIRING DISPLAY	CABLAGE DISPLAY	VERDRAHTUNG DISPLAY
24	22716147	CAVO COLLEGAMENTO CENTALINA PULSANTIERE	WIRING	CABLAGE	VERDRAHTUNG
25	22716177	CABLAGGIO SERVIZI AEP/1	SERVICES WIRING AEP/1	CABLAGE DE SERVICES AEP/1	VERKABELUNG DIENST. AEP/1
26	22716178	CABLAGGIO SERVIZI AEP/2C	SERVICES WIRING AEP/2C	CABLAGE DE SERVICES AEP/2C	VERKABELUNG DIENST. AEP/2C
27	22716179	CABLAGGIO SERVIZI AEP/2	SERVICES WIRING AEP/2	CABLAGE DE SERVICE AEP/2	VERKABELUNG DIENST. AEP/2
28	22716180	CABLAGGIO SERVIZI AEP/3	SERVICES WIRING AEP/3	CABLAGE DE SERVICES AEP/3	VERKABELUNG DIENST. AEP/3
29	22716181	CABLAGGIO SERVIZI AEP/4	SERVICES WIRING AEP/4	CABLAGE DE SERVICES AEP/4	VERKABELUNG DIENST. AEP/4
30	22716113	CABLAGGIO SERVIZI SAE/1	SERVICES WIRING SAE/1	CABLAGE DE SERVICES SAE/1	VERKABELUNG DIENSTLEISTUNGEN SAE/1
31	22716114	CABLAGGIO SERVIZI SAE/2C	SERVICES WIRING SAE/2C	CABLAGE DE SERVICES SAE/2C	VERKABELUNG DIENSTLEISTUNGEN SAE/2C
32	22716115	CABLAGGIO SERVIZI SAE/2	SERVICES WIRING SAE/2	CABLAGE DE SERVICES SAE/2	VERKABELUNG DIENSTLEISTUNGEN SAE/2
33	22716116	CABLAGGIO SERVIZI SAE/3	SERVICES WIRING SAE/3	CABLAGE DE SERVICES SAE/3	VERKABELUNG DIENSTLEISTUNGEN SAE/3
34	22716117	CABLAGGIO SERVIZI SAE/4	SERVICES WIRING SAE/4	CABLAGE DE SERVICES SAE/4	VERKANBELUNG DIENSTLEISTUNGEN SAE/4



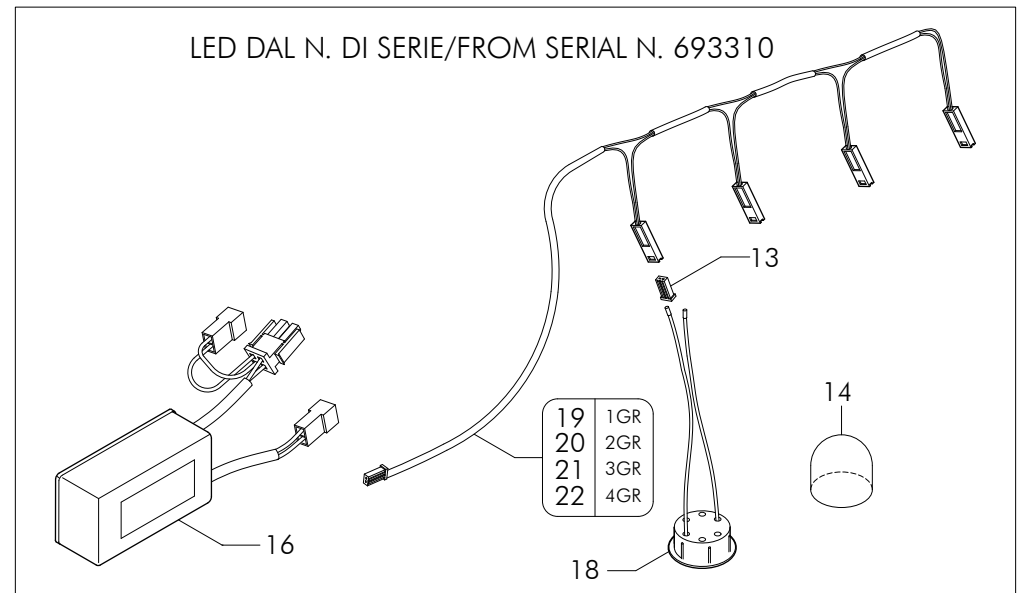
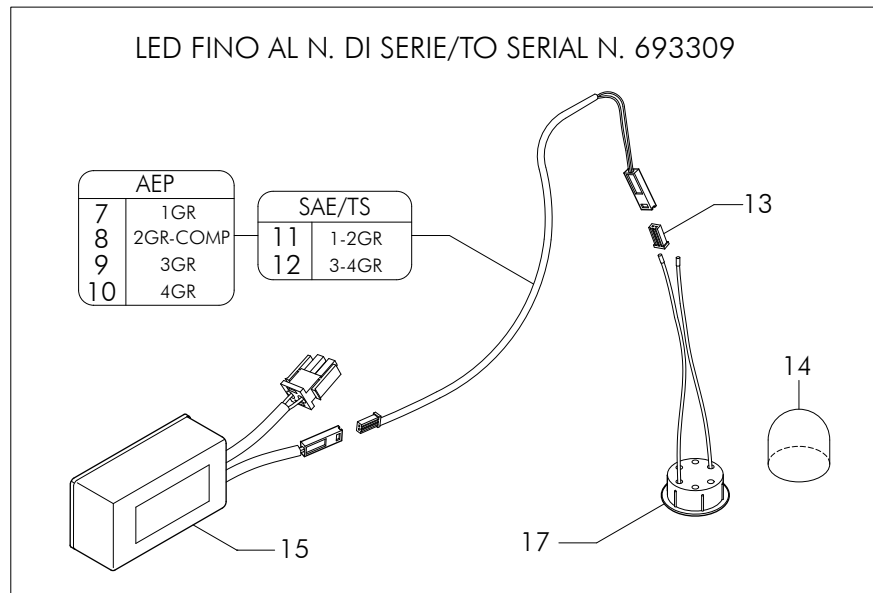
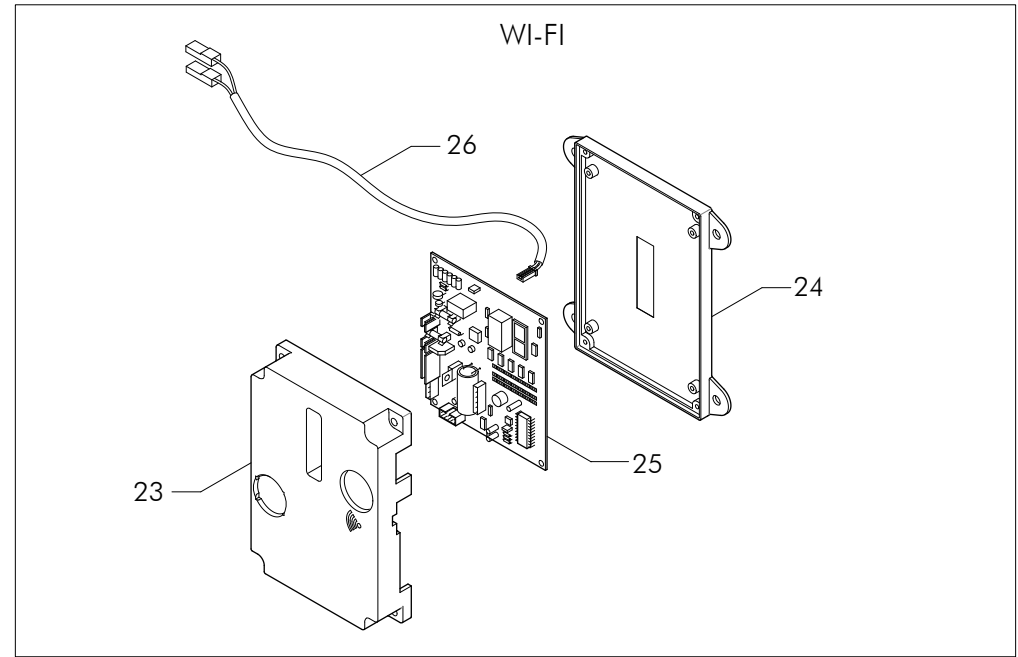
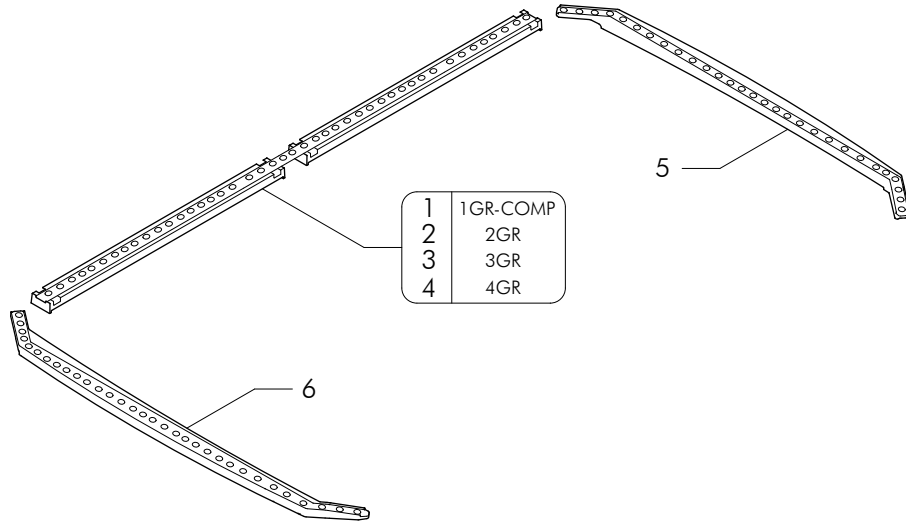
## AEP/SAE/TS

Pos	Cod.	Denominazione - IT -	Denomination - GB -	Denomination - FR -	Denomination - DE -
35	22716120	CABLAGGIO SERVIZI SAE/2+DISPLAY	SERVICE WIRING SAE/2+DSP	CABLAGE DE SERVICES SAE/2+DSP	VERKABELUNG DIENST. SAE/2+DSP
36	22716121	CABLAGGIO SERVIZI SAE/3+DISPLAY	SERVICES WIRING SAE/3+DSP	CABLAGE DE SERVICE SAE/3+DSP	VERKABELUNG DIENST. SAE/3+DSP
37	22716122	CABLAGGIO SERVIZI SAE/4+DISPLAY	SERVICES WIRING SAE/4+DSP	CABLAGE DE SERVICES SAE/4+DSP	VERKABELUNG DIENST. SAE/4+DSP
38	18263017	INTERRUTTORE BLU	BLUE SWITCH	INTERRUPTEUR BLEU	SWITCH BLAU
39	18263019	DOPPIO INTERRUTTORE 0/ -0/	DOUBLE SWITCH 0/ -0/	DOUBLE INTERRUPTEUR 0/ -0/	DOPPELSCHALTER 0/ -0/
40	19049	COPERTURA INTERRUTTORE	SWITCH COVER	PROTECTION INTERRUPTEUR	SCHALTER ABD.
41	22716025	CABLAGGIO THE MIX SAE/2-3-4	TEA WIRING	CABLAGE TE	TEA VERDRAHTUNG
42	56930010	ASSIEME TERMOSTATO EGO	THERMOSTAT ASSEMBLY	ENSEMBLE THERMOSTAT	THERMOSTAT
43	22716187	CABLAGGIO PULSANTIERA AEP	WIRING AEP	CABLAGE AEP	VERKABELUNG AEP
44	21011001	LAMPADA SPIA VERDE CON GHIERA 250VAC	GREEN WARNING LIGHT 250VAC	LAMPR TEMOIN VERT 250VAC	GRUNE KONTROLLAMPE 250VAC
45	21026	LED D-5 VERDE	LED D-5 GREEN	LED D-5 VERT	LED D-5 GRUN
46	22716138	CABLAGGIO 3PH+N D-2.5 1/2GR RELE'STATICI	WIRING 3PH+N	CABLAGE 3PH+N	VERDRAHTUNG 3PH+N
46	22716139	CABLAGGIO 3PH+N D-4 3/4GR RELE'STATICI	WIRING 3PH+N	CABLAGE 3PH+N	VERDRAHTUNG 3PH+N
46	22716140	CABLAGGIO 1PH D-2.5 1/2GR RELE'STATICI	WIRING 1PH	CABLAGE 1PH	VERDRAHTUNG 1PH
46	22716141	CABLAGGIO 1PH D-4 3/4GR RELE'STATICI	WIRING 1PH	CABLAGE 1PH	VERDRAHTUNG 1PH
47	8318104R	KIT COMMUTATORE BREMAS A20	KIT COMMUTATOR BREMAS A20.12	KIT COMMUTATEUR BREMAS A20.12	KIT UMSCHLATER BREMAS A20.12
47	8318105R	KIT COMMUTATORE BREMAS 32A	KIT COMMUTATOR BREMAS A32.12	KIT COMMUTATEUR BREMAS A32.12	KIT UMSCHALTER BREMAS A32.12
48	29067	ETICHETTA ADESIVA '1-0-2' NERO PLASTICO	ADHESIVE LABEL '1-0-2' BLACK	ETIQ. ADHES. 1-0-2' NOIR	KLEBETIKETTE '1-0-2'SCHWARZ
49	15271	MANOPOLA INTERR.GENERALE BREMAS	MAIN SWITCH HAND GRIP	MANETTE INTERR. GENERAL	HAUPTSCHALTERGRIF
50	22716148	CAVO COLLEGAMENTO PONTE PULSANTIERE	WIRING	CABLAGE	VERDRAHTUNG



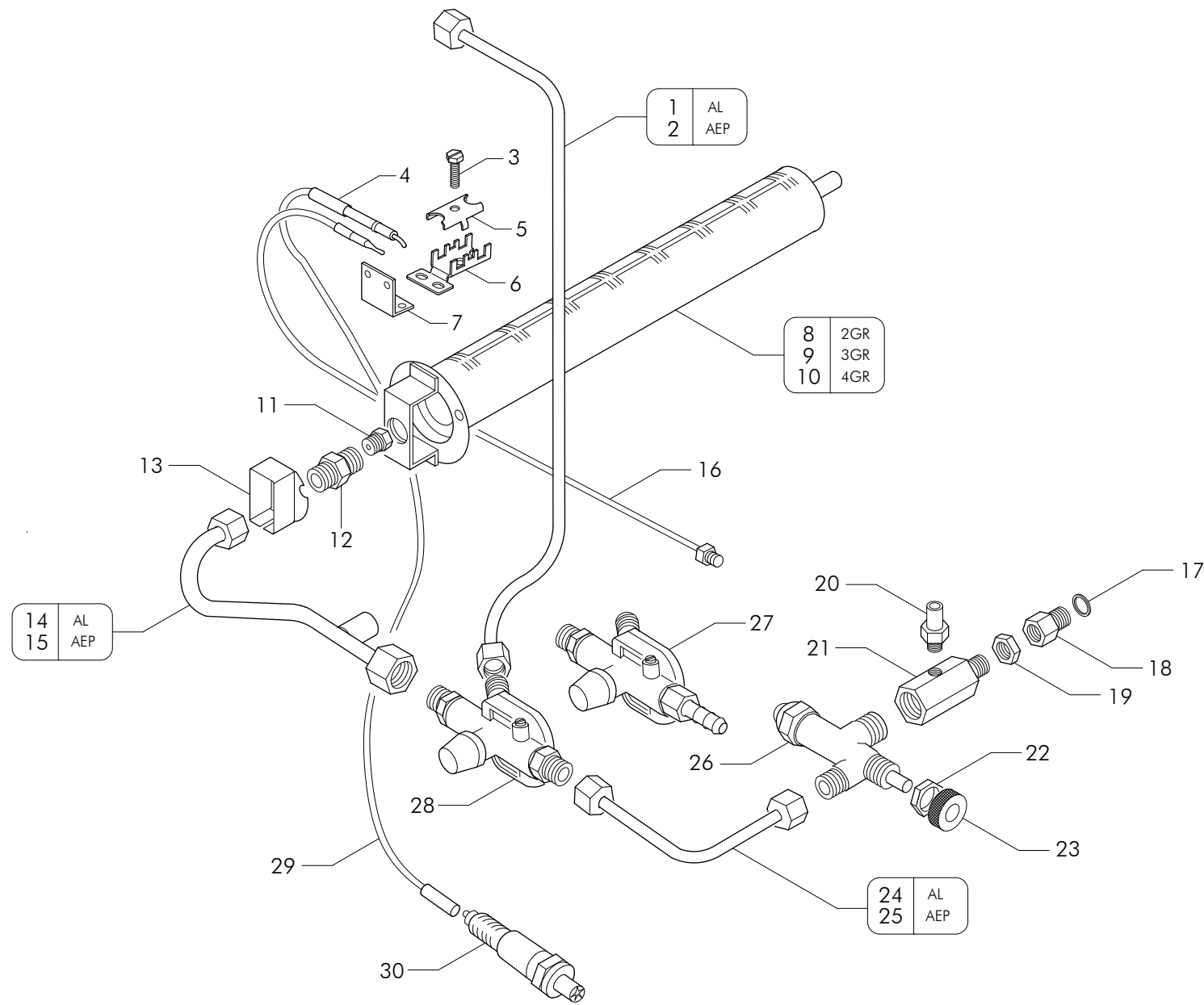
## SCALDATAZZE - CUP HEATING - CHAUFFE TASSES - TASSENWARMER

Pos	Cod.	Denominazione - IT -	Denomination - GB -	Denomination - FR -	Denomination - DE -
1	20306004	SONDA NTC	NTC PROBE	SONDE NTC	NTC SONDE
2	77583100	STAFFA BLOCCHETTO SONDA	BLOCK BRACKET	ETRIER BLOC	ANSCHLAG BUGEL
3	25338000	BLOCCHETTO SONDA NTC	PROBE BLOCK NTC	BLOC SONDE NTC	SONDE ANSCHLAG NTC
4	23550	VITE TCEI INOX 4x8	STEEL SCREW TCCE 4X8	VIS INOX TCCE 4X8	STAHLSCHRAUBE TCCE 4x8
5	23265	RONDELLA 4x12	WASHER 4x12	RONDELLE 4x12	SCHEIBE 4x12
6	10205001	GRAFFETTA INOX	STAINLESS STEEL CLIP	CLIP EN ACIER INOXYDABLE	EDELSTAHLKLAMMER
7	17025018	RESISTENZA 2GR 230V 200W	HEATING ELEMENT 2GR 230V 200W	RESISTANCE 2GR 230V 200W	HEIZKORPER 2GR 230V 200W
8	17025019	RESISTENZA 3GR 230V 250W	HEATING ELEMENT 3GR 230V 250W	RESISTANCE 3GR 230V 250W	HEIZKORPER 3GR 230V 250W
9	17025020	RESISTENZA 4GR 230V 300W	HEATING ELEMENT 4GR 230V 300W	RESISTANCE 4GR 230V 300W	HEIZKORPER 4GR 230V 300W
10	77614208	PIASTRA PER RESISTENZA 2GR	HEATING EL. PLATE 2GR	PLAQUE RESISTANCE 2GR	HEIZKORPER PLATTE 2GR
11	77614209	PIASTRA PER RESISTENZA 3GR	HEATING EL. PLATE 2GR	PLAQUE RESISTANCE 2GR	HEIZKORPER PLATTE 2GR
12	77614210	PIASTRA PER RESISTENZA 4GR	HEATING EL. PLATE 2GR	PLAQUE RESISTANCE 2GR	HEIZKORPER PLATTE 2GR
13	10760	BLOCCHETTO MASCHIO	MALE BLOCK	MODULE MALE	STECKER
14	21023	LAMPADA SPIA ROSSA 230V	RED PILOT LIGHT 230V	LAMPE TEMOIN ROUGE 230V	ROTE KONTROLLEUCHTE 230V
15	18263	INTERRUTTORE BIP. NERO LED LUMIN.ROSSO	BIP. LUMIN. BLACK SWITCH	INTER.BIP.LUMIN. NOIR	ZWEIP.SCHALTER M. SCHWARZ LEUCHTE
16	22723002	CABLAGGIO SCALDATAZZE ELETTRICO 2-4GR	ELECTR.CUP HEAT.WIRING 2-4GR	CABLE CHAUFFE-TASSES ELEC. 2-4GR	ELEKTR.VERKABELUNG TASSENWARMER 2-4GR
17	19049	COPERTURA INTERRUTTORE	SWITCH COVER	PROTECTION INTERRUPTEUR	SCHALTER ABD.
18	77692224	PROTEZIONE REGOLATORE TEMPERATURA	THERMOSTAT GUARD	PROTECTEUR THERMOSTAT	ABDECKUNG THERMOSTAT
19	18090040	REGOLATORE TEMP.ELETTR.SCTE 230V	THERMOSTAT 230V	THERMOSTAT 230V	THERMOSTAT 230V
20	78206405	SUPPORTO REGOLATORE	THERMOSTAT SUPPORT	SUPPORT THERMOSTAT	THERMOSTAT SUPPORT
21	22716188	CABLAGGIO SCALDATAZZE AEP	CABLE	CABLE	KABEL

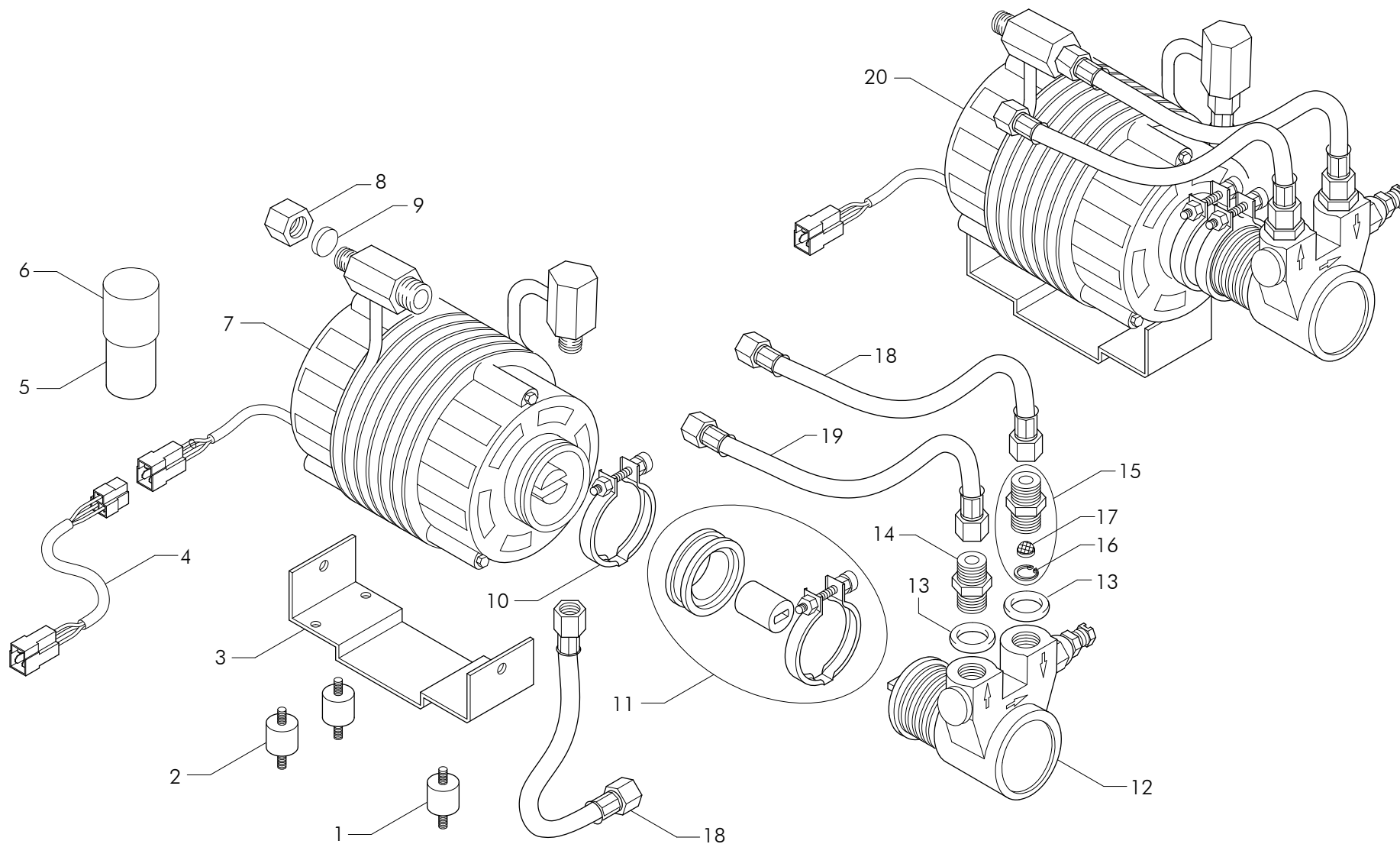


## LED

Pos	Cod.	Denominazione - IT -	Denomination - GB -	Denomination - FR -	Denomination - DE -
1	18371214	STRIP 24 LED BIANCO 1GR	24 LED STRIP WHITE	BANDE DE 24 LED BLANC	LED 24 STREIFEN WEISS
2	18371215	STRIP 36 LED BIANCO 2GR	36 LED STRIP WHITE	BANDE DE 36 LED BLANC	LED 36 STREIFEN WEISS
3	18371216	STRIP 51 LED BIANCO 3GR	51 LED STRIP WHITE	BANDE DE 51 LED BLANC	LED 51 STREIFEN WEISS
4	18371217	STRIP 66 LED BIANCO 4GR	66 LED STRIP WHITE	BANDE DE 66 LED BLANC	LED 66 STREIFEN WEISS
5	18371212	SUPPORTO FIANCO DESTRO STRIP 27 LED	27 LED STRIP WHITE	BANDE DE 27 LED BLANC	LED 27 STREIFEN WEISS
6	18371213	SUPPORTO FIANCO SINISTRO STRIP 27 LED	27 LED STRIP WHITE	BANDE DE 27 LED BLANC	LED 27 STREIFEN WEISS
7	22716193	CABLAGGIO SPOT LED 1GR	LED 1GR WIRING	CABLAGE LED 1GR	LED 1GR VERDR.
8	22716194	CABLAGGIO SPOT LED 2GR	LED 2GR WIRING	CABLAGE LED 2GR	LED 2GR VERDR.
9	22716195	CABLAGGIO SPOT LED 3GR	LED 3GR WIRING	CABLAGE LED 3GR	LED 3GR VERDR.
10	22716196	CABLAGGIO SPOT LED 4GR	LED 4GR WIRING	CABLAGE LED 4GR	LED 4GR VERDR.
11	22715974	CABLAGGIO LED 2GR	CABLE 2GR LED	CABLAGE 2GR LED	VERKABELUNG 2GR LED
12	22715975	CABLAGGIO LED 3GR	CABLE 3GR LED	CABLAGE 3GR LED	VERKABELUNG 3GR LED
13	15037	CONNETTORE FEMMIMA 2VIE NERO	CONNECTOR FEMALE - 2 WAYS BLACK	CONNECTEUR FEMELLE 2V	FEMALE CONNECTOR
14	15048503	CAPPUCCIO EPDM PER LED	HOOD	HOUSSE	HAUBE
15	18559015	ALIMENTATORE 100V-270V 350mA	POWER UNIT 100V-270V 350mA	ALIMENTATION 100V-270V 350mA	NETZTEIL 100V-270V 350mA
16	18559023	ALIMENTATORE LED	LED POWER UNIT	ALIMENTATION LED	LED NETZTEIL
17	21040005	LAMPADA LED	LED LIGHT	LAMPE LED	LED LAMPE
18	21040009	LAMPADA LED	LED LIGHT	LAMPE LED	LED LAMPE
19	22716193	CABLAGGIO SPOT LED 1GR	LED 1GR WIRING	CABLAGE LED 1GR	LED 1GR VERDR.
20	22716194	CABLAGGIO SPOT LED 2GR	LED 2GR WIRING	CABLAGE LED 2GR	LED 2GR VERDR.
21	22716195	CABLAGGIO SPOT LED 3GR	LED 3GR WIRING	CABLAGE LED 3GR	LED 3GR VERDR.
22	22716196	CABLAGGIO SPOT LED 4GR	LED 4GR WIRING	CABLAGE LED 4GR	LED 4GR VERDR.
23	15029135	COPERCHIO SCATOLA GATEWAY WIFI	COVER GATEWAY WIFI	COUVERCLE DE BOÎTE GATEWAY WIFI	KASTENABDECKUNG GATEWAY WIFI
24	15029136	BASE SCATOLA GATEWAY WIFI	BASE OF GATEWAY BOX	BOITE GATEWAY WIFI	BOX GATEWAY WIFI
25	18090239	SCHEDA GATEWAY WI-FI	PCU GATEWAY	UNIT DE CONTROL WI-FI	STEUEREINHEIT WI-FI
26	22716211	CABLAGGIO GATEWAY WI-FI	CABLE GATEWAY WIFI	CABLAGE GATEWAY WIFI	VERKABELUNG GATEWAY WIFI



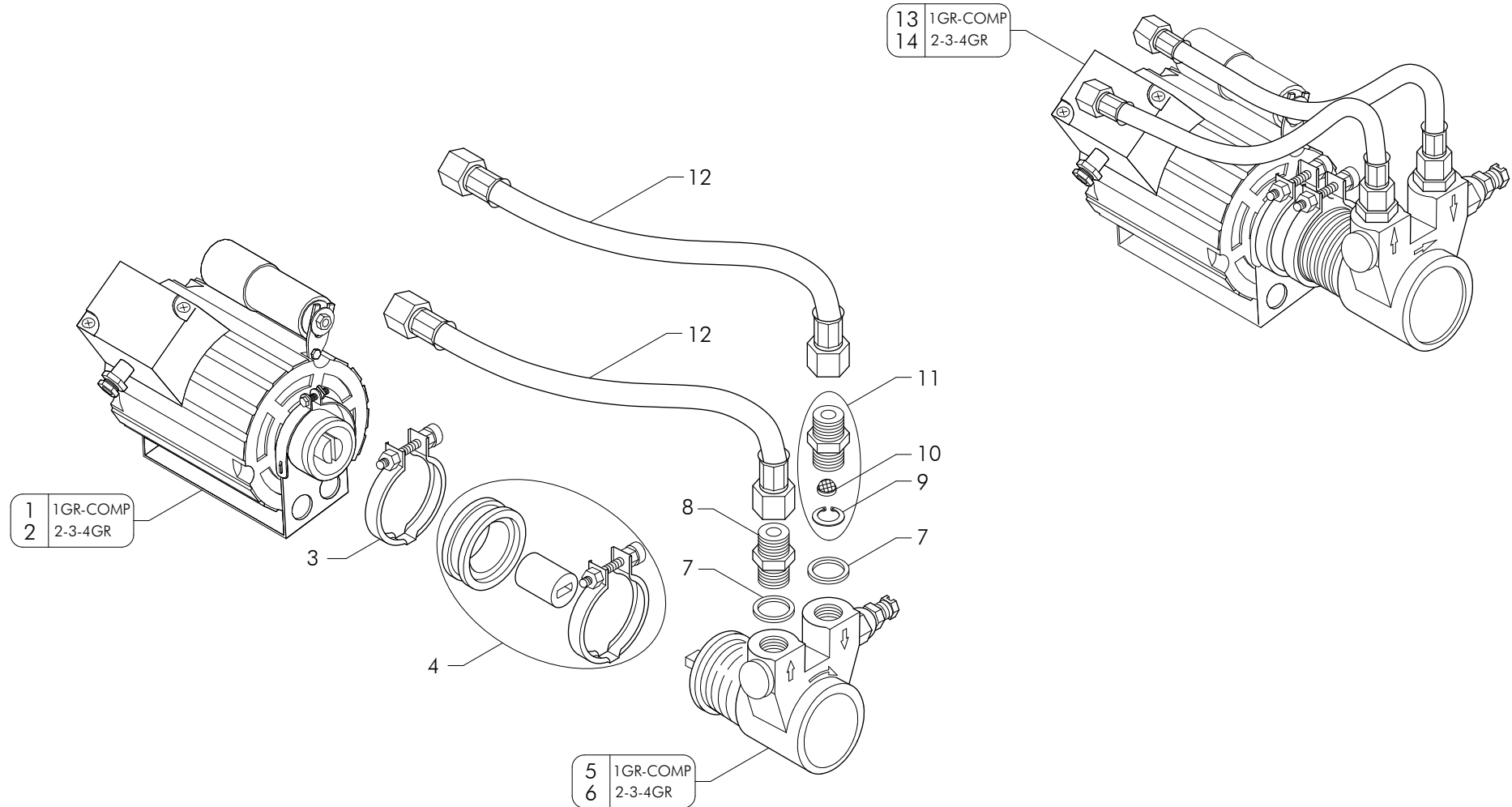
Pos	Code	Denominazione - IT -	Denomination - EN -	Denomination - FR -	Denomination - DE -
1	4652001055	TUBO D-6 L.460	TUBE D-6 L.460	TUYAU D-6 L.460	ROHR D-6 L.460
2	4652000224	TUBO D-6 L.390	TUBE D-6 L.390	TUYAU D-6 L.390	ROHR D-6 L.390
3	23410	VITE TE UNI 3/16x18	SCREW TE 3/16X18	VIS TE 3/16X18	SCHRAUBE TE UNI 3/16x18
4	20030	CANDELA M 4 PILOTA 0100 0915036	PILOT SPARK PLUG M4 0100 GAS	BOUGIE M 4 PILOTE	KERZE M 4 0100 SIC/GAS
5	10750	SUPPORTO TERMOCOPPIA SIT 0978009	THERMOCOUPLE SIT STAND 0978009	SUPPORT THERMOCOUPLE SIT 0978009	THERMOELEMENT HALTER SIT 0978009
6	10751	SUPPORTO TERMOCOPPIA SIT 0978021	THERMOCOUPLE SIT STAND 0978021	SUPPORT THERMOCOUPLE SIT 0978021	THERMOELEMENT HALTER SIT 0978021
7	780663	SUPPORTO TERMOCOPPIA GAS 20/10	SUPPORT FOR THERMOCOUPLE GAS	SUPPORT POUR THERMOCOUPLE GAZ	GESTELL THERMOELEMENT
8	30011	BRUCIATORE 2GR 306/12 POLI	2 GROUPS BURNER 306/12 POLES	BRULEUR 2GR 306/12 POLES	BRENNER 2GR 06/12 POLEN
9	30012	BRUCIATORE 3GR 307/12 POLI	3-4 GROUPS BURNER 307/12 POLES	BRULEUR 3-4GR 307/12 POLES	BRENNER 3-4GR 307/12 POLEN
10	30013	BRUCIATORE 4GR 102.0211.00 POLI	4GR BURNER 102.0211.00 POLES	BRULEUR 4GR 102.0211.00 POLES	BRENNER 4GR 102.0211.00 POLEN
11	10900	UGELLO EM 1.00N METANO	METHANE NOZZLE EM 1.00N	GICLEUR EM 1.00N METHANE	DUSE EM 1.00N METHAN
11	10901	UGELLO EM 0.60N GPL	GPL NOZZLE EM 0.60N	GICLEUR EM 0.60N G P L	DUSE EM 0.60N G P L
11	10903	UGELLO EM 1.10N METANO	METHANE NOZZLE EM 1.10N	GICLEUR EM 1.10N METHANE	DUSE EM 1.10N METHAN
11	10904	UGELLO EM 0.65N GPL	GPL NOZZLE EM 0.65N	GICLEUR EM 0.65N GPL	DUSE EM 0.65N GPL
11	10906	UGELLO EM 1.35N METANO	METHANE NOZZLE EM 1.35N	GICLEUR EM 1.35N METHANE	DUSE EM 1.35N METHAN
11	10907	UGELLO EM 0.80N GPL	GPL NOZZLE EM 0.80N	GICLEUR EM 0.80N G P L	DUSE EM 0.80N G P L
11	10909	UGELLO EM 1.45N METANO	METHANE NOZZLE EM 1.45N	GICLEUR EM 1.45N METHANE	DUSE EM 1.45N METHAN
11	10910	UGELLO EM 0.85N GPL	GPL NOZZLE EM 0.85N	GICLEUR EM 0.85N G P L	DUSE EM 0.85N G P L
11	10912	UGELLO EM 0.75N GPL	GPL NOZZLE EM 0.75N	GICLEUR EM 0.75N GPL	DUSE EM 0.75 GPL
12	23220	RACCORDO PORTAUGELLO	NOZZLE-BEARER CONNECTOR	RACCORD PORTE-GICLEUR	FITTING FUR DUSETRAGER
13	10660	REGOLATORE ARIA	AIR REGULATOR	REGULATEUR AIR	LUFTREGLER
14	4652001445	TUBO D-10 L.190	TUBE D-10 L.190	TUYAU D-10 L.190	ROHR D-10 L.190
15	4652000223	TUBO D-10 L.215	TUBE D-10 L.215	TUYAU D-10 L.215	ROHR D-10 L.215
16	18552	TERMOCOPPIA SIT 0290004 L600	THERMOCOUPLE SIT L=600	TIGE THERMOCOUPLE GAZ L=600	THERMOELEMENT SIT 02900040L600
17	12662004	GUARNIZIONE ALL.11x7x1.5	GASKET 11x7x1.5	JOINT 11x7x1.5	DICHTUNG 11x7x1.5
18	25715010	RACCORDO DRITTO 1/4F 1/4M CONICO	CONNECTOR 1/4 F 1/4 M	RACCORD DROIT 1/4 F 1/4 M	ANSCHLUSS 1/4F 1/4M
19	25396	DADO 1/4 SP.4	NUT 1/4 - 4 THICK	ECROU 1/4 SP.4	MUTTER 1/4
20	25621005	PRESA DI PRESSIONE 1/8 GAS	CONNECTOR 1/8	RACCORD 1/8	ANSCHLUSS 1/8
21	25621100	PROLUNGA RUBINETTO GAS	EXTENSION GAS	RALLONGE GAZ	VERLANGERUNGSGAS
22	23019	DADO M12x1 OTTONE	S.I.T. BRASS NUT M12X1	ECROU M12X1 LAITON POUR S.I.T.	MESSING SCHRAUBENMUTTER M12x1
23	10350	GHIERA GAS SIT	GAS RING NUT SIT	EMBOUT POUR GAZ SIT	GASZWINGE SIT
24	4652000222	TUBO D-8 L.130	TUBE D-8 L.135	TUYAU D-8 L.135	ROHR D-8 L.135
25	4652000872	TUBO D-8 L.145	TUBE D-8 L.145	TUYAU D-8 L.145	ROHR D-8 L.145
26	20221	RUBINETTO SICUREZZA GAS SIT	GAS SECURITY VALVE SIT	ROBINET SURETE GAZ SIT	GASSICHERHEITSHAHN SIT
27	51003	ASSIEME REGOLATORE GAS NORMALE POLI	NORMAL GAS REGULATOR SET *POLES*	ENSEMBLE REGULATEUR GAZ NORMAL	GASREGELUNGSSATZ
28	51005	ASSIEME REGOLATORE GAS SICUREZZA	GAS REGULATOR	ENSEMBLE REGULATEUR GAZ	GASREGELUNGSSATZ
29	22002	CAVO AL GAS/SIT 0028511 PIEZ L800	GAS/SIT FEEDING CABLE 0028520 L800	CABLE ALIMENTATION GAZ SIT 0028520	GAS/SIT SPEISEKABEL 0028520 L800
30	15010	BLOCCO+COL.AVN M22x1.5 SIT 0073952	GAS STARTER M22X1.5 SIT 0073952	BLOC ALLUMAGE GAZ	ZUNDUNGSPERRE GAS AVN M22x1.5





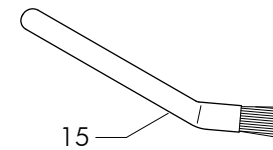
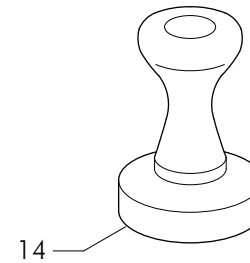
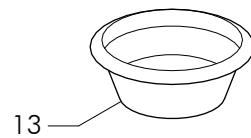
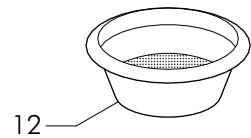
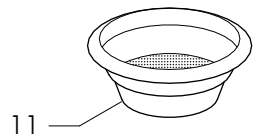
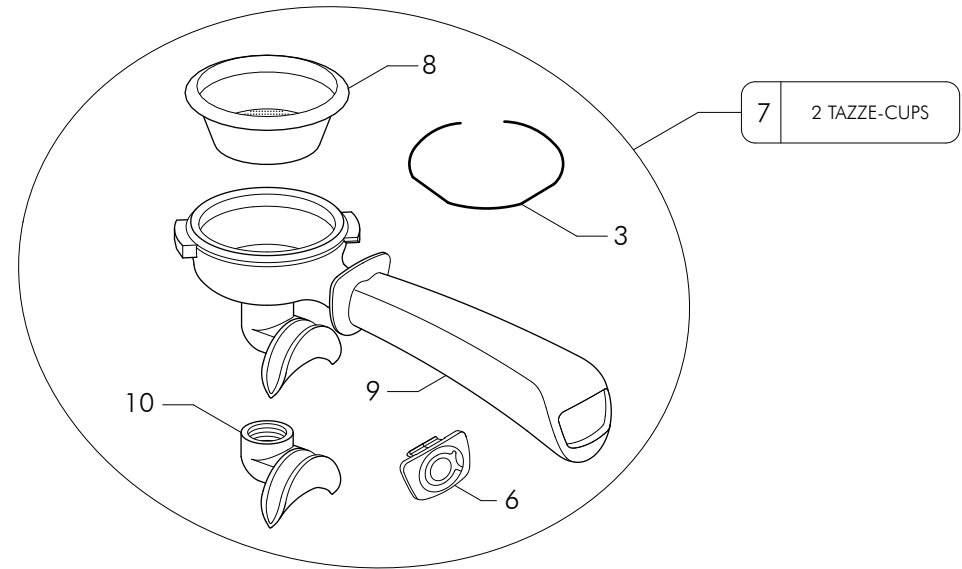
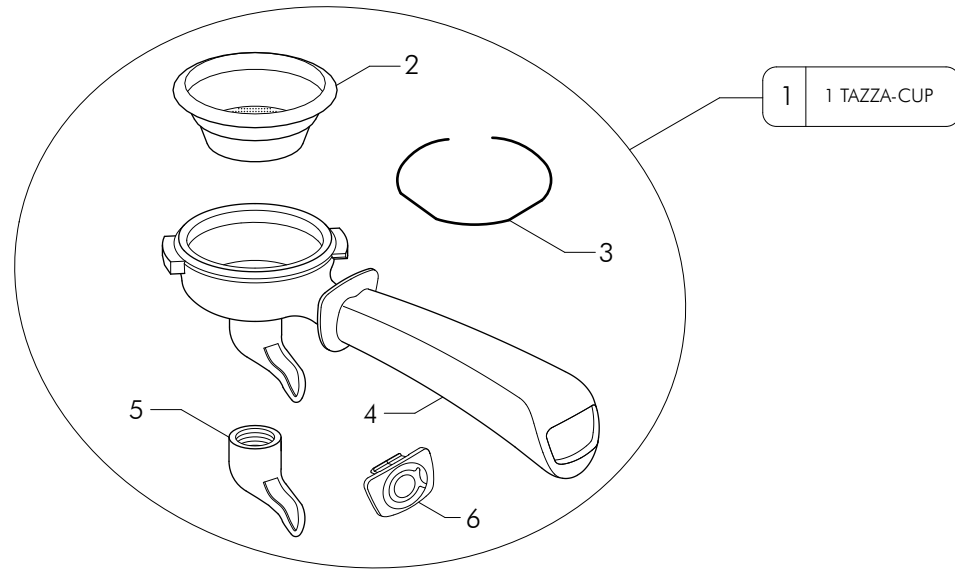
## INTERNA - INTERNAL - INTÉRIEUR - INNEN

Pos	Cod.	Denominazione - IT -	Denomination - GB -	Denomination - FR -	Denomination - DE -
1	15105	GOMMA AMMORTIZZATORE	RUBBER FOR MOTOR	CAOUTCHOUC POUR MOTEUR	GUMMI x MOTOR
2	15105002	GOMMINO ANTIVIBRANTE	RUBBER FOR MOTOR	CAOUTCHOUC POUR MOTEUR	GUMMI x MOTOR
3	78174	SUPPORTO MOTORE	MOTOR SUPPORT	SUPPORT MOTEUR	EINGEBAUTER MOTORHALTER
4	227173	CABLAGGIO MOTORE	MOTOR CABLE	CABLAGE MOTEUR	MOTOR VERSKABELUNG
5	19062001	CONDENSATORE MOTORE 230V 7uF	MOTOR CAPACITOR 230V 7uF	CONDENSATEUR MOTEUR 230V 7uF	KONDENSATOR MOTOR 230V 7uF
6	15200000	CAPPUCCIO CONDENSATORE	HOOD FOR CAPACITOR	CAPUCHON CONDENSATEUR 7uF (D.30)	CAPPUCCIO x CONDENSATORE 6.3mF (D.30)
7	56406	MOTORE RPM 230V 50/60 R.H20	MOTOR RPM 230V 50/60Hz H20	MOTEUR RPM 230V 50/60HZ H20	MOTOR RPM 230V 50/60HZ H20
8	25782	TAPPO FEMMINA 1/4 GAS	1/4 GAS FEMALE TAP	BOUCHON FEMELLE 1/4 GAZ	INNENANSCHLUSSSTOPSEL 1/4 GAS
9	12007	GUARNIZIONE KLINGERSIL4400	KLINGERSIL4400 SEAL	JOINT KLINGERSIL4400	DICHTUNG KLINGER SIL4400
10	26310003	FASCETTA GIUNZIONE MOTORE-POMPA	CLAMP MOTOR-PUMP	BANDE MOTEUR-POMPE	SHELLE MOTOR-PUMPE
11	83260016R	KIT DISACCOPPIAMENTO MOTORE POMPA	KIT DECOUPLING MOTOR-PUMP	ENSEMBLE DECOUPLAGE MOTEUR POMPE	KIT MOTOR-PUMPE KUPPLUNG
12	4626303	POMPA FLUID-O-TECH 204	PUMP FLUYD 204	POMPE 204	PUMPE 204
13	12101	GUARNIZIONE RAME 3/8 22x17x3	GASKET COPPER 3/8 22x17x3	JOINT CUIVRE 3/8 22x17x3	KUPFERDICHTUNG 3/8 22x17x3
14	4925687	RACCORDO 3/8x3/8	3/8x3/8 FITTING	RACCORD 3/8x3/8	ANSCHLUSS 3/8x3/8
15	4956116	RACCORDO 3/8+3/8	CONNECTOR 3/8+3/8 PUMP ASSEMBLY	RACCORD 3/8 + 3/8 ENS. MOTOPOMPE	ANSCHLUSS 3/8 + 3/8 MOTORP. ZUSAMMEN
16	10005	ANELLO DI ARRESTO INOX	STAINLESS STEEL STOP RING	ANNEAU DE BUTEE INOX	DRAHTSPRENGRING ROSTFREI
17	10254	FILTRO ACCIAIO 160-200 MESH	STEEL FILTER 160-200 MESH	FILTRE EN ACIER 160-200 MESH	STAHLFILTER 160-200 MESH
18	4630404002	TUBOFLEX 3/8FF P.GOMMA CON. L.450mm	3/8 FEMALE L450 FLEX PIPE CONICAL HOSE F	TUYAU FLEX 3/8 FF L450 PORTE-TUYAU	SCHLAUCH 3/8 AUFNAHMETUR L450 GUMMI KONI
19	4630404003	TUBOFLEX 3/8FF P.GOMMA CON. L.230mm	3/8 FEMALE L230 FLEX PIPE CONICAL HOSE F	TUYAU FLEX 3/8 FF L230 PORTE-TUYAU	SCHLAUCH 3/8 AUFNAHMETUR L230 GUMMI KONI
20	56123439	ASSIEME MOTORE 230V + POMPA	UNIT MOTOR 230V + PUMP	ENSEMBLE MOTEUR 230V + POMPE	SATZ MOTOR 230V + PUMPE



## ESTERNA - EXTERNAL - EXTERNE - EXTERN

Pos	Cod.	Denominazione - IT -	Denomination - GB -	Denomination - FR -	Denomination - DE -
1	18303001	MOTORE RPM 230V 150W	MOTOR RPM 230V 150W	MOTEUR RPM 230V 150W	MOTOR RPM 230V 150W
2	18300	MOTORE R.P.M. 230/50-60	MOTOR R.P.M. 230/50-60	MOTEUR TOURS/MIN 230/50-60	MOTOR R.P.M. 230/50-60
3	26310003	FASCETTA GIUNZIONE MOTORE-POMPA	CLAMP MOTOR-PUMP	BANDE MOTEUR-POMPE	SCHELLE MOTOR-PUMPE
4	83260016R	KIT DISACCOPPIAMENTO MOTORE POMPA	KIT DECOUPLING MOTOR-PUMP	ENSEMBLE DECOUPLAGE MOTEUR POMPE	KIT MOTOR-PUMPE KUPPLUNG
5	4626303001	POMPA FLUID-O-TECH 104	PUMP FLUYD 104	POMPE 104	PUMPE 104
6	4626303	POMPA FLUID-O-TECH 204	PUMP FLUYD 204	POMPE 204	PUMPE 204
7	12154	GUARNIZIONE CU 3/8 22x17x1.5	GASKET COPPER 3/8 22x17x1,5	JOINT CUIVRE 3/8 22x17x1.5	KUPFERDICHTUNG 3/8 22x17x1.5
8	4925687	RACCORDO 3/8x3/8	3/8x3/8 FITTING	RACCORD 3/8x3/8	ANSCHLUSS 3/8x3/8
9	10005	ANELLO DI ARRESTO INOX	STAINLESS STEEL STOP RING	ANNEAU DE BUTEE INOX	DRAHTSPRENGRING ROSTFREI
10	10254	FILTRO ACCIAIO 160-200 MESH	STEEL FILTER 160-200 MESH	FILTRE EN ACIER 160-200 MESH	STAHLFILTER 160-200 MESH
11	4956116	RACCORDO 3/8+3/8	CONNECTOR 3/8+3/8 PUMP ASSEMBLY	RACCORD 3/8 + 3/8 ENS. MOTOPOMPE	ANSCHLUSS 3/8 + 3/8 MOTORP. ZUSAMMEN
12	4630407	TUBOFLEX 3/8FF P.GOMMA CON. L-1000mm	FLEX PIPE 3/8 L100	TUYAU FLEX 3/8 FF L100	SCHLAUCH 3/8 AUFNAHMETUR L100
12	4630408	TUBOFLEX 3/8FF L.150	FLEX PIPE 3/8 L.150	TUYAU FLEX 3/8 FF L.150	SCHLAUCH 3/8 L.150
13	83560056R	KIT MOTORE ESTERNO 150W 230V	EXTERNAL MOTOR PUMP KIT 230V	KIT MOTOPOMPE EXTERNE 230V	KIT MOTORPUMPE 230V
14	83560034R	KIT MOTOPOMPA ESTERNA 230V	EXTERNAL MOTOR PUMP KIT 230V	KIT MOTOPOMPE EXTERNE 230V	KIT MOTOPUMPE 230V



Pos	Cod.	Denominazione - IT -	Denomination - GB -	Denomination - FR -	Denomination - DE -
1	83270058R	ASSIEME PORTAFILTRO COPERTURA NERA 1 TAZZA	FILTERHOLDER 1 CUP D.58	ENSEMBLE PORTE-FILTRE 1 TASSE D.58	KIT FILTERHALTER EINZELAUSLAUF D.58
2	27142	FILTRO INOX 1 TAZZA E/61 H.24	E/61 1 CUP S.STEEL FILTER H.24	FILTRE INOX 1 TASSE E/61 H.24	EDELSTAHL-FILTER 1 TASSE E/61 H.24
3	27254	MOLLA FERMAFILTRO	FILTER CLAMP SPRING	RESSORT BLOCAGE-FILTRE	FILTERHALTEFEDER
4	27311200	PORTAFILTRO 1 TAZZA COPERTURA NERA	FILTER HOLDER 1T BLACK COVER	PORTE-FILTRE 1T COUVERCLE NOIR	FILTER HALTER 1T SCHWARZE ABDECKUNG
5	27032001	BECCUCCIO 1 TAZZA	SPOUT 1 CUP	BEC 1 TASSE	AUSGUSS 1 TASSE
6	15263032	TAPPO MANOPOLA PORTAFILTRO ASTORIA	ASTORIA LOGO FOR FILTER HOLDER	LOGO ASTORIA POUR PORTE FILTRE	ASTORIA LOGO FUER FILTERHALTER
7	83270059R	ASSIEME PORTAFILTRO COP.NERA 2 TAZZE D.58	FILTERHOLDER 2 CUPS D.58	ENSEMBLE PORTE-FILTRE 2 TASSES D.58	KIT FILTERHALTER DOPPELAUSLAUF D.58
8	27171	FILTRO INOX 2 TAZZE H.24,5 E/61	E/61 2 CUPS S.STEEL FILTER H.24,5	FILTRE INOX 2 TASSES E/61 H.24,5	EDELSTAHL-FILTER 2 TASSEN E/61 H.24,5
9	27311201	PORTAFILTRO 2 TAZZE COPERTURA NERA	ASTORIA FILTERHOLDER 2 CUPS BLACK	PORTE-FILTRE 2T COUVERCLE NOIR	FILTER HALTER 2T SCHWARZE ABDECKUNG
10	27042001	BECCUCCIO 2 TAZZE	SPOUT 2 CUPS	BEC 2 TASSES	AUSGUSS 2 TASSEN
11	27146	FILTRO INOX 1 TAZZA H.19,5	1 CUP STAINLESS STEEL FILTER H.19,5	FILTRE INOX 1 TASSE H.19,5	EDELSTAHL-FILTER 1 TASSE H.19,5
12	27176	FILTRO INOX 2 TAZZE H.22	2 CUP STAINLESS STEEL FILTER H.22	FILTRE INOX 2 TASSES H.22	EDELSTAHL-FILTER 2 TASSEN H.22
13	27173	FILTRO INOX 2 TAZZE CIECO	2 CUPS STAINLESS STEEL BLIND FILTER	FILTRE INOX 2 TASSES AVEUGLE	GESCHLOSSENER FILTER 2 TASSEN
14	30004000	PRESSINO D.57.5 MANICO EMBLEMA ASTORIA	COFFEE TAMPER D.57.5 WOOD HANDLE ASTORIA	PRESS CAFE D.57.5 ASTORIA	KAFFEEANDRUECKER ASTORIA
15	15426	SPAZZOLINO NERO SETOLE NYLON CORTE	SHORT BLACK NYLON BRISTLE BRUSH	PETITE BROSSE NOIRE AVEC POILS NYLON	KURZE, SCHWARZE NYLONBUERSTE