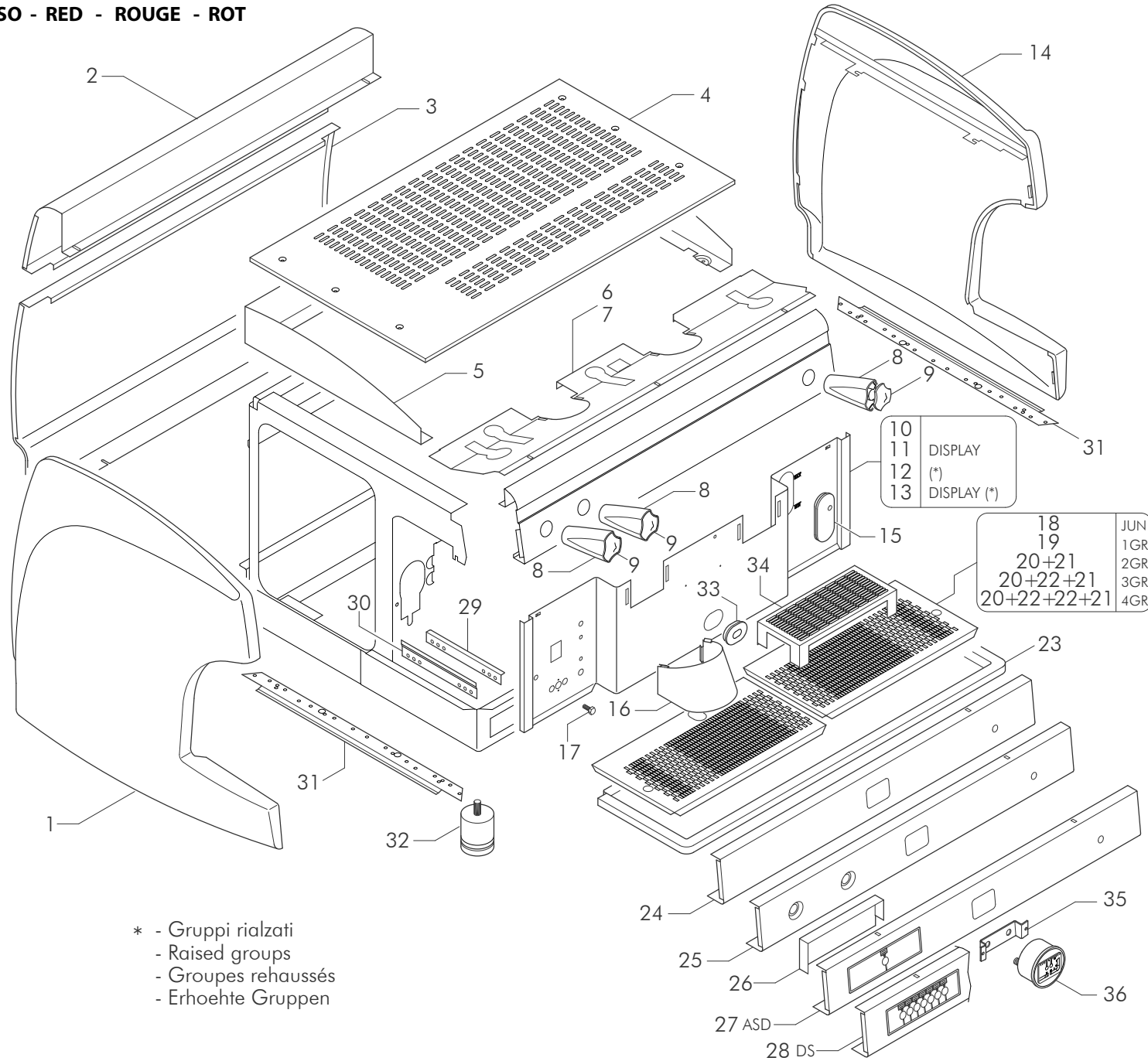
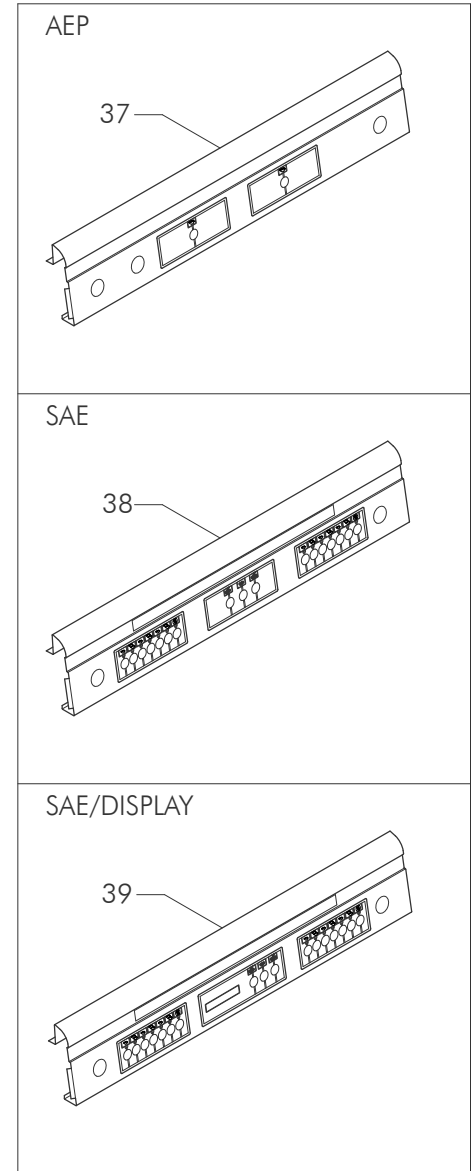


Code	Description	Page	Rev.	Date
	Carrozzeria - Body parts - Carosserie - Karosserie			
AICT-01U	Rosso - Red - Rouge - Rot	2	00	02/2015
AICT-02U	Nero - Black - Noir - Schwarz	6	00	02/2015
AICT-03U	Inox - S.Steel - Inox - Stahl	10	00	02/2015
	Pulsantiera - Push buttons - Claviers - Bedienblenden			
AICT-11U	4 Dosi - 4 Doses - 4 Doses - 4 Dosen	14	00	02/2015
AICT-12U	6 Dosi - 6 Doses - 6 Doses - 6 Dosen	16	00	02/2015
AICT-13U	ASD + DS	18	00	02/2015
	Lancia - Tube - Tuyau - Rohr			
AICT-21U	Vapore - Steam - Vapeur - Dampf	20	00	02/2015
AICT-22U	Acqua - Water - Eau - Wasser	22	00	02/2015
AICT-31U	Gruppo - Group - Groupe - Gruppe	24	01	10/2016
	Caldaia - Boiler - Chaudiere - Kessel			
AICT-40U	JUN	26	00	02/2015
AICT-41U	1GR	28	00	02/2015
AICT-42U	2GR	30	00	02/2015
AICT-43U	3GR	32	00	02/2015
AICT-44U	4GR	34	00	02/2015
	Impianti idraulici - Hydraulic circuits - Circuits hydrauliques - Wasser anlage			
AICT-50U	AEP JUN	36	00	02/2015
AICT-51U	AEP 1GR	39	00	02/2015
AICT-52U	AEP 2GR	42	00	02/2015
AICT-53U	AEP 3GR	45	00	02/2015
AICT-54U	AEP 4GR	48	00	02/2015
AICT-55U	SAE JUN	51	00	02/2015
AICT-56U	SAE 1GR	54	00	02/2015
AICT-57U	SAE 2GR	57	00	02/2015
AICT-58U	SAE 3GR	60	00	02/2015
AICT-59U	SAE 4GR	63	00	02/2015
	Impianti elettrici - Electrical systems - Circuits electriques - Strom anlage			
AICT-61U	AEP	66	01	10/2016
AICT-62U	SAE - DISPLAY	68	02	11/2016
AICT-63U	Scaldatasse - Cup heating - Chauffe tasses - Tassenwarmer	70	00	02/2015
	Motopompa - Motor pump - Motopompe - Motor pump			
AICT-81U	Incorporata - Built-in - Incorporé - Eingebaute	72	00	02/2015
AICT-82U	Esterna - External - Extérieur - Aussenansicht	74	00	02/2015



* - Gruppi rialzati
- Raised groups
- Groupes rehaussés
- Erhoehte Gruppen



ROSSO - RED - ROUGE - ROT

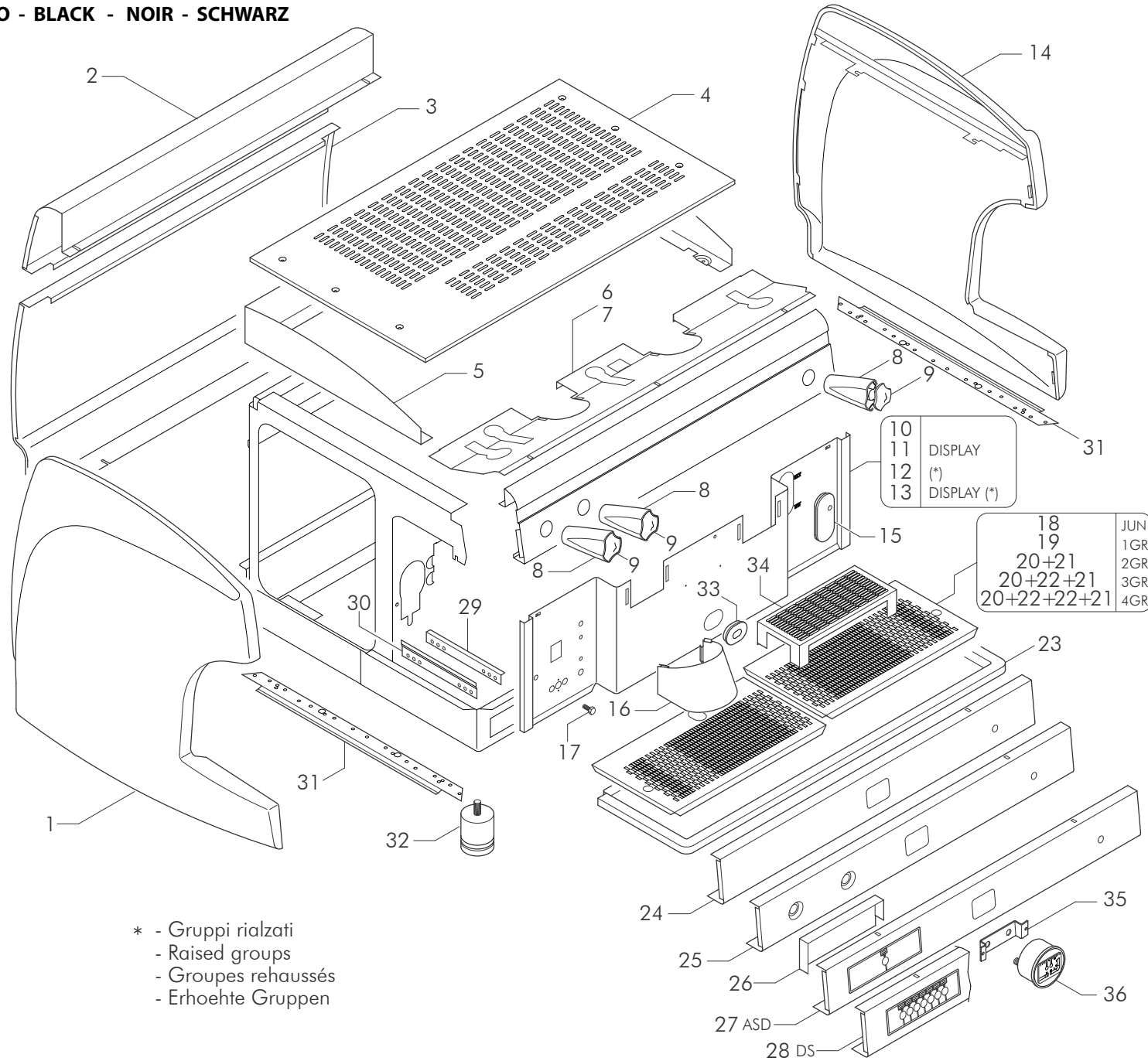
Pos	Code	Denominazione - IT -	Denomination - EN -	Denomination - FR -	Denomination - DE -
1	73130305	FIANCO SINISTRO ROSSO	LEFT SIDE PANEL RED	COTE GAUCHE ROUGE	LINKE SEITE ROT
2	75288317	PANNELLO SUP.1GR ROSSO RAL3004+BRILL	TOP PANEL 1GR RED	PANNEAU SUP.1GR ROUGE	OBERTAFEL 1GR ROT
2	75288319	PANNELLO SUP.2GR ROSSO RAL3004+BRILL	TOP PANEL 2GR RED	PANNEAU SUP.2GR ROUGE	OBERTAFEL 2GR ROT
2	75288321	PANNELLO SUP.3GR ROSSO RAL3004+BRILL	TOP PANEL 3GR RED	PANNEAU SUP.3GR ROUGE	OBERTAFEL 3GR ROT
2	75288323	PANNELLO SUP.4GR ROSSO RAL3004+BRILL	TOP PANEL 4GR RED	PANNEAU SUP.4GR ROUGE	OBERTAFEL 4GR ROT
2	75288337	PANNELLO SUP.JUN ROSSO RAL3004+BRILL	TOP PANEL JUN RED	PANNEAU SUP.JUN ROUGE	OBERTAFEL JUN ROT
3	75288316	PANNELLO INF.1GR ROSSO RAL3004+BRILL	LOWER PANEL 1GR RED	PANNEAU INF.1GR ROUGE	UNTERTAFEL 1GR ROT
3	75288318	PANNELLO INF.2GR ROSSO RAL3004+BRILL	LOWER PANEL 2GR RED	PANNEAU INF.2GR ROUGE	UNTERTAFEL 2GR ROT
3	75288320	PANNELLO INF.3GR ROSSO RAL3004+BRILL	LOWER PANEL 3GR RED	PANNEAU INF.3GR ROUGE	UNTERTAFEL 3GR ROT
3	75288322	PANNELLO INF.4GR ROSSO RAL3004+BRILL	LOWER PANEL 4GR RED	PANNEAU INF.4GR ROUGE	UNTERTAFEL 4GR ROT
3	75288336	PANNELLO INF.JUN ROSSO RAL3004+BRILL	LOWER PANEL JUN RED	PANNEAU INF.JUN ROUGE	UNTERTAFEL JUN ROT
4	76100127	GRIGLIA SUPERIORE 1GR INOX	TOP GRATE 1GR S.STEEL	GRILLE SUP. 1GR INOX	OBERGITTER 1GR STAHL
4	76100128	GRIGLIA SUPERIORE 2GR INOX	TOP GRATE 2GR S.STEEL	GRILLE SUP. 2GR INOX	OBERGITTER 2GR STAHL
4	76100129	GRIGLIA SUPERIORE 3GR INOX	TOP GRATE 3GR S.STEEL	GRILLE SUP. 3GR INOX	OBERGITTER 3GR STAHL
4	76100130	GRIGLIA SUPERIORE 4GR INOX	TOP GRATE 4GR S.STEEL	GRILLE SUP. 4GR INOX	OBERGITTER 4GR STAHL
4	76100131	GRIGLIA SUPERIORE JUN INOX	TOP GRATE JUN S.STEEL	GRILLE SUP. JUN INOX	OBERGITTER JUN STAHL
5	77197521	PROFILO SUP.1GR INOX	S.STEEL TOP SECTION 1GR	PROFILS SUP. INOX 1GR	STAHL-OBERUMRANDUNG 1GR
5	77197522	PROFILO SUP.2GR INOX	S.STEEL TOP SECTION 2GR	PROFILS SUP. INOX 2GR	STAHL-OBERUMRANDUNG 2GR
5	77197523	PROFILO SUP.3GR INOX	S.STEEL TOP SECTION 3GR	PROFILS SUP. INOX 3GR	STAHL-OBERUMRANDUNG 3GR
5	77197524	PROFILO SUP.4GR INOX	S.STEEL TOP SECTION 4GR	PROFILS SUP. INOX 4GR	STAHL-OBERUMRANDUNG 4GR
5	77197525	PROFILO SUP.JUN INOX	S.STEEL TOP SECTION JUN	PROFILS SUP. INOX JUN	STAHL-OBERUMRANDUNG JUN
6	77278516	COPRIMPIANTO 1GR	CABLE-COVER 1GR	COUVRE-CABLAGE 1GR	VERDRAHTUNHDECKEL 1GR
6	77278517	COPRIMPIANTO 2GR	CABLE-COVER 2GR	COUVRE-CABLAGE 2GR	VERDRAHTUNHDECKEL 2GR
6	77278518	COPRIMPIANTO 3GR	CABLE-COVER 3GR	COUVRE-CABLAGE 3GR	VERDRAHTUNHDECKEL 3GR
6	77278519	COPRIMPIANTO 4GR	CABLE-COVER 4GR	COUVRE-CABLAGE 4GR	VERDRAHTUNHDECKEL 4GR
6	77278520	COPRIMPIANTO JUN	CABLE-COVER JUN	COUVRE-CABLAGE JUN	VERDRAHTUNHDECKEL JUN
7	77278528	COPRIMPIANTO 2GR+CAPP.3S	CABLE-COVER 2GR DS	COUVRE-CABLAGE 2GR DS	VERDRAHTUNHDECKEL 2GR DS
7	77278529	COPRIMPIANTO 3GR+CAPP.3S	CABLE-COVER 3GR DS	COUVRE-CABLAGE 3GR DS	VERDRAHTUNHDECKEL 3GR DS
8	15029050	MANOPOLA	KNOB	POIGNEE	HANDGRIFF
9	15029051	TAPPO MANOPOLA	CAP KNOB	BOUCHON POIGNEE	DECKEL HANDGRIFF
10	77044139	COPRICALDAIA ER/1 CTS INOX/LUC	S.STEEL BOILER COVER 1GR	COUVRE-CHAUDIERE INOX 1GR	KESSELDECKEL 1GR STAHL
10	77044140	COPRICALDAIA ER/2 CTS INOX/LUC	S.STEEL BOILER COVER 2GR	COUVRE-CHAUDIERE INOX 2GR	KESSELDECKEL 2GR STAHL
10	77044141	COPRICALDAIA ER/3 CTS INOX/LUC	S.STEEL BOILER COVER 3GR	COUVRE-CHAUDIERE INOX 3GR	KESSELDECKEL 3GR STAHL
10	77044142	COPRICALDAIA ER/4 CTS INOX/LUC	S.STEEL BOILER COVER 4GR	COUVRE-CHAUDIERE INOX 4GR	KESSELDECKEL 4GR STAHL
10	77044178	COPRICALDAIA ER/J CTS INOX/LUC	S.STEEL BOILER COVER JUN	COUVRE-CHAUDIERE INOX JUN	KESSELDECKEL JUN STAHL
11	77044147	COPRICALDAIA ER/1+DISPLAY CTS INOX/LUC	S.STEEL BOILER COVER 1GR+DISPLAY	COUVRE-CHAUDIERE INOX 1GR+DISPLAY	KESSELDECKEL 1GR+DISPLAY STAHL
11	77044148	COPRICALDAIA ER/2+DISPLAY CTS INOX/LUC	S.STEEL BOILER COVER 2GR+DISPLAY	COUVRE-CHAUDIERE INOX 2GR+DISPLAY	KESSELDECKEL 2GR+DISPLAY STAHL
11	77044149	COPRICALDAIA ER/3+DISPLAY CTS INOX/LUC	S.STEEL BOILER COVER 3GR+DISPLAY	COUVRE-CHAUDIERE INOX 3GR+DISPLAY	KESSELDECKEL 3GR+DISPLAY STAHL
11	77044150	COPRICALDAIA ER/4+DISPLAY CTS INOX/LUC	S.STEEL BOILER COVER 4GR+DISPLAY	COUVRE-CHAUDIERE INOX 4GR+DISPLAY	KESSELDECKEL 4GR+DISPLAY STAHL

ROSSO - RED - ROUGE - ROT

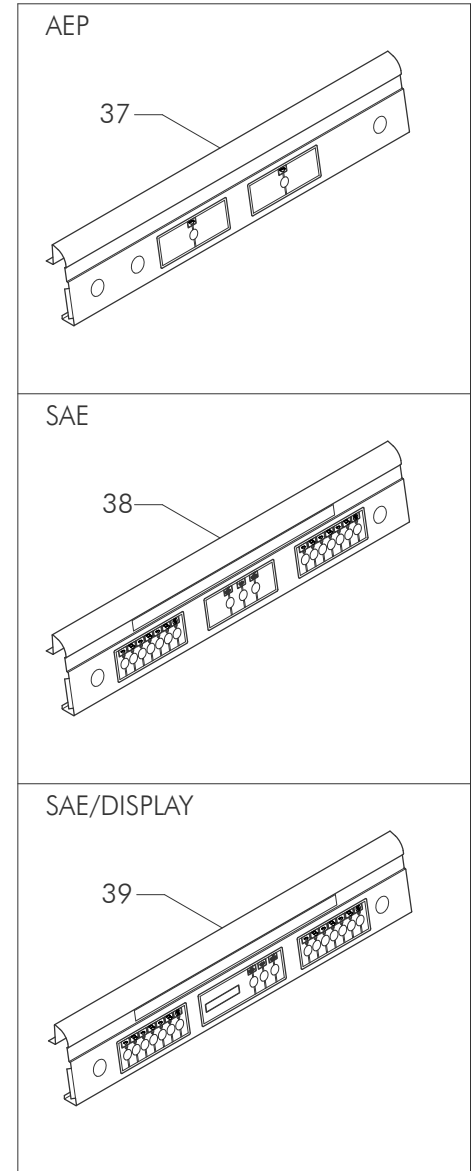
Pos	Code	Denominazione - IT -	Denomination - EN -	Denomination - FR -	Denomination - DE -
12	77044159	COPRICALDAIA ER/1 CTS INOX/LUC GR.RI	S.STEEL BOILER COVER 1GR RAISED GROUPS	COUVRE-CHAUDIERE INOX 1GR GROUPES	KESSELDECKEL 1GR STAHL ERHOEHTE GRUPPEN
12	77044160	COPRICALDAIA ER/2 CTS INOX/LUC GR.RI	S.STEEL BOILER COVER 3GR RAISED GROUPS	COUVRE-CHAUDIERE INOX 2GR GROUPES	KESSELDECKEL 2GR STAHL ERHOEHTE GRUPPEN
12	77044161	COPRICALDAIA ER/3 CTS INOX/LUC GR.RI	S.STEEL BOILER COVER 3GR RAISED GROUPS	COUVRE-CHAUDIERE INOX 3GR GROUPES	KESSELDECKEL 3GR STAHL ERHOEHTE GRUPPEN
12	77044162	COPRICALDAIA ER/4 CTS INOX/LUC GR.RI	S.STEEL BOILER COVER 4GR RAISED GRUOPS	COUVRE-CHAUDIERE INOX 4GR GROUPES	KESSELDECKEL 4GR STAHL ERHOEHTE GRUPPEN
13	77044163	COPRICALDAIA ER/1 DISPLAY INOX/LUC GR.RI.	S.STEEL BOILER COVER 1GR DISPLAY	COUVRE-CHAUDIERE INOX 1GR DISPLAY GR.RE.	KESSELDECKEL 1GR STAHL DISPLAY ERHOEHTE
13	77044164	COPRICALDAIA ER/2 DISPLAY INOX/LUC GR.RI.	S.STEEL BOILER COVER 2GR DISPLAY	COUVRE-CHAUDIERE INOX 2GR DISPLAY GR.RE.	KESSELDECKEL 2GR STAHL DISPLAY ERHOEHTE
13	77044165	COPRICALDAIA ER/3 DISPLAY INOX/LUC GR.RI.	S.STEEL BOILER COVER 3GR DISPLAY	COUVRE-CHAUDIERE INOX 3GR DISPLAY GR.RE.	KESSELDECKEL 3GR STAHL DISPLAY ERHOEHTE
13	77044166	COPRICALDAIA ER/4 DISPLAY INOX/LUC GR.RI	S.STEEL BOILER COVER 4GR DISPLAY	COUVRE-CHAUDIERE INOX 4GR DISPLAY GR.RE.	KESSELDECKEL 4GR STAHL DISPLAY ERHOEHTE
14	73130304	FIANCO DESTRO ROSSO	RIGHT SIDE PANEL RED	COTE DROITE ROUGE	RECHTE SEITE ROT
15	21202	SEGNALIVELLO	LEVEL INDICATOR	SIGNAL NIVEAU	FARBLOSER NIVEAUANZEIGER
16	77691990	COPERTURA GRUPPO INOX	S.STEEL GROUP COVER	COUVRE-GROUPE INOX	GRUPPENDECKEL STAHL
17	23420001	VITE TE BOMBATA M6x12 OT/Ni	M6x12NICKEL-PLATED BRASS HEX.HEAD SCREW	VIS TH LAITON M6x12 NICKEL	SECHSKANTSCHRAUBE AUS MESSING M6x12
18	76152000	GRIGLIA INF.WN01 INOX LUC.316x201	LOWER GRILL 316x201 - SHINY S.STEEL	GRILLE INF.INOX 316x201	STAHL-UNTERGITTER 316x201
19	76153000	GRIGLIA INFERIORE INOX LUC.456x201	LOWER GRILL 456x201 SHINY S.STEEL	GRILLE INF.INOX 456x201	STAHL-UNTERGITTER 456x201
20	76154000	GRIGLIA INF.DESTRA INOX LUC.338.5x201	RIGHT LOWER GRILL -SHINY S.STEEL	GRILLE INF.DROIT INOX 338,5x201	STAHL-UNTER-RECHTEGITTER 338,5x201
21	76155000	GRIGLIA INF.SINISTRA INOX LUC.338.5x201	LEFT LOWER GRILL - SHINY S.STEEL	GRILLE INF.GAUCHE INOX 338,5x201	STAHL-UNTER-LINKEGITTER 338,5x201
22	76156000	GRIGLIA INFERIORE INOX LUC.	LOWER GRILL - SHINY S.STEEL	GRILLE INF.INOX	STAHL-UNTERGITTER
23	76095	BACINELLA 1GR INOX LUCIDO	1GR GLOSSY STAINLESS STEEL TRAY	BASSINELLE 1GR INOX BRILLANT	STAHLSCHALE 1GR
23	76096	BACINELLA 2GR INOX LUCIDO	2GR GLOSSY STAINLESS STEEL TRAY	BASSINELLE 2GR INOX BRILLANT	STAHLSCHALE 2GR
23	76097	BACINELLA 3GR INOX LUCIDO	3GR GLOSSY STAINLESS STEEL TRAY	BASSINELLE 3GR INOX BRILLANT	STAHLSCHALE 3GR
23	76098	BACINELLA 4GR INOX LUCIDO	4GR GLOSSY STAINLESS STEEL TRAY	BASSINELLE 4GR INOX BRILLANT	STAHLSCHALE 4GR
23	76094	BACINELLA JUN INOX LUCIDO	JUN GLOSSY STAINLESS STEEL TRAY	BASSINELLE JUN INOX BRILLANT	STAHLSCHALE JUN
24	77487212	PROFILO BASAMENTO ANT.1GR ROSSO 3004+BRILL	BASE SURROUND 1GR RED	PROFILS BASE 1GR ROUGE	GRUNDPROFIL 1GR ROT
24	77487213	PROFILO BASAMENTO ANT.2GR ROSSO 3004+BRILL	BASE SURROUND 2GR RED	PROFILS BASE 2GR ROUGE	GRUNDPROFIL 2GR ROT
24	77487214	PROFILO BASAMENTO ANT.3GR ROSSO 3004+BRILL	BASE SURROUND 3GR RED	PROFILS BASE 3GR ROUGE	GRUNDPROFIL 3GR ROT
24	77487215	PROFILO BASAMENTO ANT.4GR ROSSO 3004+BRILL	BASE SURROUND 4GR RED	PROFILS BASE 4GR ROUGE	GRUND PROFIL 4GR ROT
24	77487211	PROFILO BASAMENTO ANT.JUN ROSSO 3004+BRILL	BASE SURROUND JUN RED	PROFILS BASE JUN ROUGE	GRUNDPROFIL JUN ROT
25	77487237	PROFILO BASAMENTO ANT.1GR ROSSO 3004+BRILL	BASE SURROUND 1GR RED	PROFILS BASE 1GR ROUGE	GRUNDPROFIL 1GR ROT
25	77487238	PROFILO BASAMENTO ANT.2GR ROSSO 3004+BRILL	BASE SURROUND 2GR RED	PROFILS BASE 2GR ROUGE	GRUNDPROFIL 2GR ROT
25	77487239	PROFILO BASAMENTO ANT.3GR ROSSO 3004+BRILL	BASE SURROUND 3GR RED	PROFILS BASE 3GR ROUGE	GRUNDPROFIL 3GR ROT
25	77487240	PROFILO BASAMENTO ANT.4GR ROSSO 3004+BRILL	BASE SURROUND 4GR RED	PROFILS BASE 4GR ROUGE	GRUNDPROFIL 4GR ROT
26	77691959	PROTEZIONE PULSANTIERA DS	TOUCH-PAD DS PROTECTION	PROTECTION CLAVIER DS	SCHUTZ BEDIENBLLENDE DS
27	83770232R	KIT BASAMENTO 1GR ASD INGLESE ROSSO 3004+B	ASSEMBLY BASE SURROUND 1GR ASD ENGLISH	ENSEMBLE PROFIL BASE 1GR ASD ANGLAIS	GRUNDPROFIL 1GR ASD ENGLISCH ROT
27	83770234R	KIT BASAMENTO 1GR ASD TEDESCO ROSSO 3004+B	ASSEMBLY BASE SURROUND 1GR ASD GERMAN	ENSEMBLE PROFIL BASE 1GR ASD ALLEMANDE	GRUNDPROFIL 1GR ASD DEUTSCH ROT
27	83770236R	KIT BASAMENTO 2GR ASD INGLESE ROSSO 3004+B	ASSEMBLY BASE SURROUND 2GR ASD ENGLISH	ENSEMBLE PROFIL BASE 2GR ASD ANGLAIS	GRUNDPROFIL 2GR ASD ENGLISCH ROT
27	83770238R	KIT BASAMENTO 2GR ASD TEDESCO ROSSO 3004+B	ASSEMBLY BASE SURROUND 2GR ASD GERMAN	ENSEMBLE PROFIL BASE 2GR ASD ALLEMANDE	GRUNDPROFIL 2GR ASD DEUTSCH ROT
27	83770240R	KIT BASAMENTO 3GR ASD INGLESE ROSSO 3004+B	ASSEMBLY BASE SURROUND 3GR ASD ENGLISH	ENSEMBLE PROFIL BASE 3GR ASD ANGLAIS	GRUNDPROFIL 3GR ASD ENGLISCH ROT
27	83770242R	KIT BASAMENTO 3GR ASD TEDESCO ROSSO 3004+B	ASSEMBLY BASE SURROUND 3GR ASD GERMAN	ENSEMBLE PROFIL BASE 3GR ASD ALLEMANDE	GRUNDPROFIL 3GR ASD DEUTSCH ROT

ROSSO - RED - ROUGE - ROT

Pos	Code	Denominazione - IT -	Denomination - EN -	Denomination - FR -	Denomination - DE -
28	83770233R	KIT BASAMENTO 1GR DS INGLESE ROSSO 3004+BR	ASSEMBLY BASE SURROUND 1GR DS ENGLISH	ENSEMBLE PROFIL BASE 1GR DS ANGLAIS	GRUNDPROFIL 1GR DS ENGLISCH ROT
28	83770235R	KIT BASAMENTO 1GR DS TEDESCO ROSSO 3004+BR	ASSEMBLY BASE SURROUND 1GR DS GERMAN	ENSEMBLE PROFIL BASE 1GR DS ALLEMANDE	GRUNDPROFIL 1GR DS DEUTSCH ROT
28	83770237R	KIT BASAMENTO 2GR DS INGLESE ROSSO 3004+BR	ASSEMBLY BASE SURROUND 2GR DS ENGLISH	ENSEMBLE PROFIL BASE 2GR DS ANGLAIS	GRUNDPROFIL 2GR DS ENGLISCH ROT
28	83770239R	KIT BASAMENTO 2GR DS TEDESCO ROSSO 3004+BR	ASSEMBLY BASE SURROUND 2GR DS GERMAN	ENSEMBLE PROFIL BASE 2GR DS ALLEMANDE	GRUNDPROFIL 2GR DS DEUTSCH ROT
28	83770241R	KIT BASAMENTO 3GR DS INGLESE ROSSO 3004+BR	ASSEMBLY BASE SURROUND 3GR DS ENGLISH	ENSEMBLE PROFIL BASE 3GR DS ANGLAIS	GRUNDPROFIL 3GR DS ENGLISCH ROT
28	83770243R	KIT BASAMENTO 3GR DS TEDESCO ROSSO 3004+BR	ASSEMBLY BASE SURROUND 3GR DS GERMAN	ENSEMBLE PROFIL BASE 3GR DS ALLEMANDE	GRUNDPROFIL 3GR DS DEUTSCH ROT
29	77741	GUIDA DESTRA-SINISTRA BACINELLA	R-L BASIN GUIDE FOR FRAMES	GUIDE DX-SX CUVE x CHASSIS	FUHRUNG RECHTS-LINKS SCHALE FUR RAH
30	77742005	DISTANZIALE GUIDA BACINELLA	SPACER GLOSSY	ENTRETOISE CUVE	DISTANZSTUCK
31	77607020	SUPPORTO DESTRO-SINISTRO FIANCO	RIGHT-LEFT SUPPORT	SUPPORT DROIT-GAUCHE	RECHTS/LINKS HALTER
32	15318002	PIEDINO REGOLABILE INOX/SAT	ADJUSTABLE FOOT	PIED REGLABLE	REGELBARER FUSS
33	15373070	TAPPO ABS CROMATO FORO GAS	CHROMED CAP	BOUCHON CHROME COUVRE-TROU DU GAZ	CHROM CAP
34	76149054	GRIGLIA RIALZO TAZZE 1/2GR	CUPS-STAND FOR RAISED GROUP 1/2GR	GRILLE SUPERIEURE 1/2GR	GITTER FUER HOHE GRUPPE 1/2GR
35	78150060	SUPPORTO MANOMETRO 1>4GR	GAUGE SUPPORT 1>4GR	SUPPORT MANOMETRE 1>4GR	MANOMETERHALTER 1>4GR
36	4621109	MANOMETRO QUADRO DOPPIA SCALA CW510L	SQUARE GAUGE DOUBLE L. SCALE	MANOMETRE TABLEAU DOUBLE ECHELLE L.	MANOMETERTAFEL DOPPELSKAL
37	56901210	FRONTONE ASS.AEP/1 ROSSO 3004+BRILL	ASSEMBLY FRONT PANEL AEP/1 RED	ENSEMBLE PANNEAU FRONTAL AEP/1 ROUGE	STIRNTAFEL AEP/1 ROT GRUPPE
37	56901218	FRONTONE ASS.AEP/2 ROSSO 3004+BRILL	ASSEMBLY FRONT PANEL AEP/2 RED	ENSEMBLE PANNEAU FRONTAL AEP/2 ROUGE	STIRNTAFEL AEP/2 ROT GRUPPE
37	56901232	FRONTONE ASS.AEP/3 ROSSO 3004+BRILL	ASSEMBLY FRONT PANEL AEP/3 RED	ENSEMBLE PANNEAU FRONTAL AEP/3 ROUGE	STIRNTAFEL AEP/3 ROT GRUPPE
37	56901240	FRONTONE ASS.AEP/4 ROSSO 3004+BRILL	ASSEMBLY FRONT PANEL AEP/4 RED	ENSEMBLE PANNEAU FRONTAL AEP/4 ROUGE	STIRNTAFEL AEP/4 ROT GRUPPE
37	56901202	FRONTONE ASS.AEP/J ROSSO 3004+BRILL	ASSEMBLY FRONT PANEL AEP/J RED	ENSEMBLE PANNEAU FRONTAL AEP/J ROUGE	STIRNTAFEL AEP/J ROT GRUPPE
38	56901214	FRONTONE ASS.SAE/1 6T ROSSO 3004+BRILL	ASSEMBLY FRONT PANEL SAE/1 6T RED	ENSEMBLE PANNEAU FRONTAL SAE/1 6T ROUGE	STIRNTAFEL SAE/1 6T ROT GRUPPE
38	56901222	FRONTONE ASS.SAE/2 6T ROSSO 3004+BRILL	ASSEMBLY FRONT PANEL SAE/2 6T RED	ENSEMBLE PANNEAU FRONTAL SAE/2 6T ROUGE	STIRNTAFEL SAE/2 6T ROT GRUPPE
38	56901236	FRONTONE ASS.SAE/3 6T ROSSO 3004+BRILL	ASSEMBLY FRONT PANEL SAE/3 6T RED	ENSEMBLE PANNEAU FRONTAL SAE/3 6T ROUGE	STIRNTAFEL SAE/3 6T ROT GRUPPE
38	56901244	FRONTONE ASS.SAE/4 6T ROSSO 3004+BRILL	ASSEMBLY FRONT PANEL SAE/4 6T RED	ENSEMBLE PANNEAU FRONTAL SAE/4 6T ROUGE	STIRNTAFEL SAE/4 6T ROT GRUPPE
38	56901206	FRONTONE ASS.SAE/J 6T ROSSO 3004+BRILL	ASSEMBLY FRONT PANEL SAE/J 6T RED	ENSEMBLE PANNEAU FRONTAL SAE/J 6T ROUGE	STIRNTAFEL SAE/J 6T ROT GRUPPE
39	56901223	FRONTONE ASS.SAE/2+DISPLAY 6T ROSSO 3004+B	ASSEMBLY FRONT PANEL DISPLAY 2 RED	ENSEMBLE PANNEAU FRONTAL DISPLAY 2 ROUGE	STIRNTAFEL DISPLAY 2 ROT GRUPPE
39	56901237	FRONTONE ASS.SAE/3+DISPLAY 6T ROSSO 3004+B	ASSEMBLY FRONT PANEL DISPLAY 3 RED	ENSEMBLE PANNEAU FRONTAL DISPLAY 3 ROUGE	STIRNTAFEL DISPLAY 3 ROT GRUPPE
39	56901245	FRONTONE ASS.SAE/4+DISPLAY 6T ROSSO 3004+B	ASSEMBLY FRONT PANEL DISPLAY 4 RED	ENSEMBLE PANNEAU FRONTAL DISPLAY 4 ROUGE	STIRNTAFEL DISPLAY 4 ROT GRUPPE



* - Gruppi rialzati
- Raised groups
- Groupes rehaussés
- Erhoehte Gruppen



NERO - BLACK - NOIR - SCHWARZ

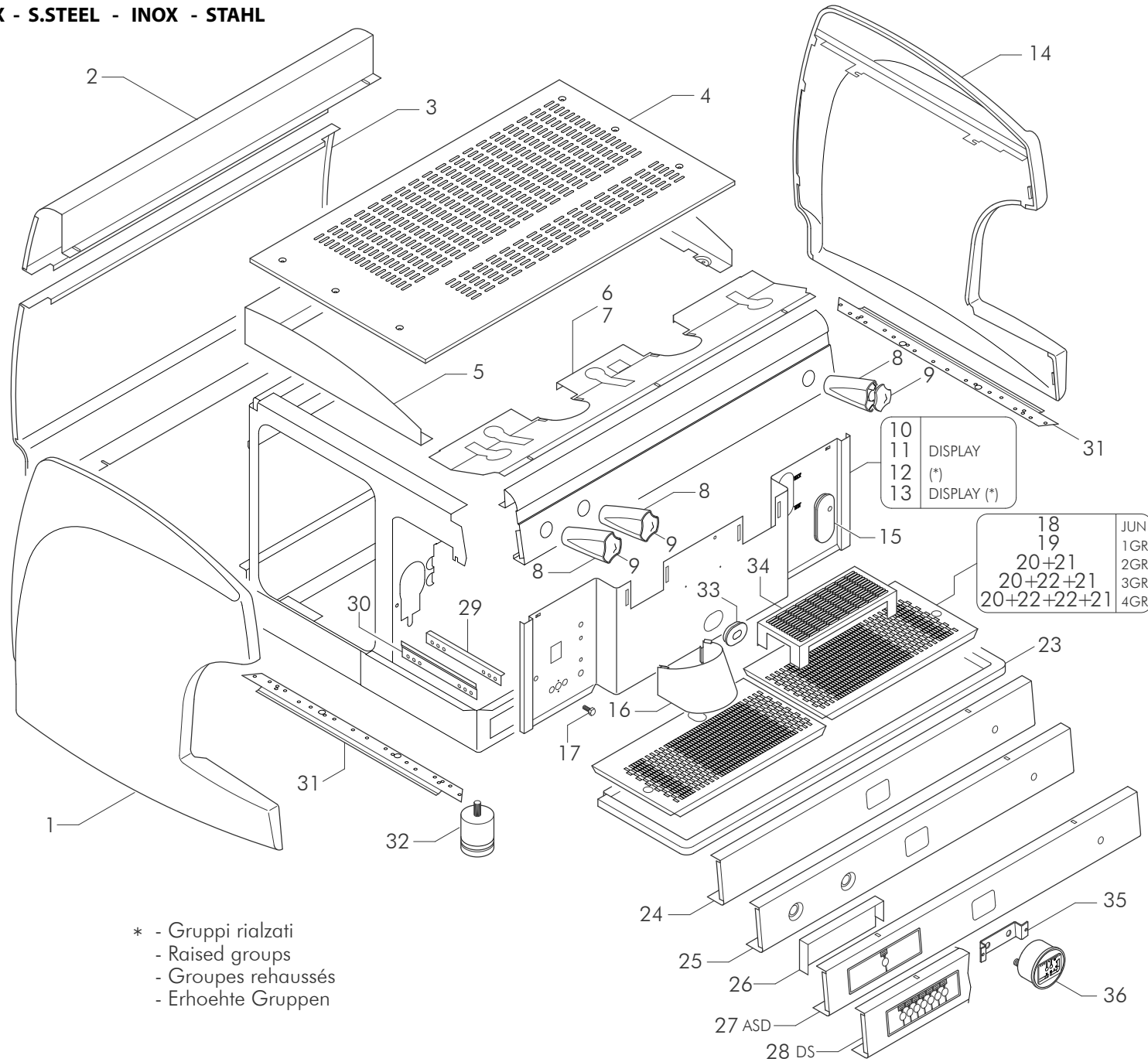
Pos	Code	Denominazione - IT -	Denomination - EN -	Denomination - FR -	Denomination - DE -
1	73130303	FIANCO SINISTRO NERO RAL9005+BRILL	LEFT SIDE PANEL BLACK	COTE GAUCHE NOIR	LINKE SEITE SCHWARZ
2	75288301	PANNELLO SUP.1GR NERO RAL9005+BRILL	TOP PANEL 1GR BLACK	PANNEAU SUP.1GR NOIR	OBERTAFEL 1GR SCHWARZ
2	75288303	PANNELLO SUP.2GR NERO RAL9005+BRILL	TOP PANEL 2GR BLACK	PANNEAU SUP.2GR NOIR	OBERTAFEL 2GR SCHWARZ
2	75288305	PANNELLO SUP.3GR NERO RAL9005+BRILL	TOP PANEL 3GR BLACK	PANNEAU INF.3GR NOIR	OBERTAFEL 3GR SCHWARZ
2	75288307	PANNELLO SUP.4GR NERO RAL9005+BRILL	TOP PANEL 4GR BLACK	PANNEAU INF.4GR NOIR	OBERTAFEL 4GR SCHWARZ
2	75288333	PANNELLO SUP.JUN NERO RAL9005+BRILL	TOP PANEL JUN BLACK	PANNEAU SUP.JUN NOIR	OBERTAFEL JUN SCHWARZ
3	75288300	PANNELLO INF.1GR NERO RAL9005+BRILL	LOWER PANEL 1GR BLACK	PANNEAU INF.1GR NOIR	UNTERTAFEL 1GR SCHWARZ
3	75288302	PANNELLO INF.2GR NERO RAL9005+BRILL	LOWER PANEL 2GR BLACK	PANNEAU INF.2GR NOIR	UNTERTAFEL 2GR SCHWARZ
3	75288304	PANNELLO INF.3GR NERO RAL9005+BRILL	LOWER PANEL 3GR BLACK	PANNEAU INF.3GR NOIR	UNTERTAFEL 3GR SCHWARZ
3	75288306	PANNELLO INF.4GR NERO RAL9005+BRILL	LOWER PANEL 4GR BLACK	PANNEAU INF.4GR NOIR	UNTERTAFEL 4GR SCHWARZ
3	75288332	PANNELLO INF.JUN NERO RAL9005+BRILL	LOWER PANEL JUN BLACK	PANNEAU INF.JUN NOIR	UNTERTAFEL JUN SCHWARZ
4	76100127	GRIGLIA SUPERIORE 1GR INOX	TOP GRATE 1GR S.STEEL	GRILLE SUP. 1GR INOX	OBERGITTER 1GR STAHL
4	76100128	GRIGLIA SUPERIORE 2GR INOX	TOP GRATE 2GR S.STEEL	GRILLE SUP. 2GR INOX	OBERGITTER 2GR STAHL
4	76100129	GRIGLIA SUPERIORE 3GR INOX	TOP GRATE 3GR S.STEEL	GRILLE SUP. 3GR INOX	OBERGITTER 3GR STAHL
4	76100130	GRIGLIA SUPERIORE 4GR INOX	TOP GRATE 4GR S.STEEL	GRILLE SUP. 4GR INOX	OBERGITTER 4GR STAHL
4	76100131	GRIGLIA SUPERIORE JUN INOX	TOP GRATE JUN S.STEEL	GRILLE SUP. JUN INOX	OBERGITTER JUN STAHL
5	77197521	PROFILO SUP.1GR INOX	S.STEEL TOP SECTION 1GR	PROFILS SUP. INOX 1GR	STAHL-OBERUMRANDUNG 1GR
5	77197522	PROFILO SUP.2GR INOX	S.STEEL TOP SECTION 2GR	PROFILS SUP. INOX 2GR	STAHL-OBERUMRANDUNG 2GR
5	77197523	PROFILO SUP.3GR INOX	S.STEEL TOP SECTION 3GR	PROFILS SUP. INOX 3GR	STAHL-OBERUMRANDUNG 3GR
5	77197524	PROFILO SUP.4GR INOX	S.STEEL TOP SECTION 4GR	PROFILS SUP. INOX 4GR	STAHL-OBERUMRANDUNG 4GR
5	77197525	PROFILO SUP.JUN INOX	S.STEEL TOP SECTION JUN	PROFILS SUP. INOX JUN	STAHL-OBERUMRANDUNG JUN
6	77278516	COPRIMPIANTO 1GR	CABLE-COVER 1GR	COUVRE-CABLAGE 1GR	VERDRAHTUNHDECKEL 1GR
6	77278517	COPRIMPIANTO 2GR	CABLE-COVER 2GR	COUVRE-CABLAGE 2GR	VERDRAHTUNHDECKEL 2GR
6	77278518	COPRIMPIANTO 3GR	CABLE-COVER 3GR	COUVRE-CABLAGE 3GR	VERDRAHTUNHDECKEL 3GR
6	77278519	COPRIMPIANTO 4GR	CABLE-COVER 4GR	COUVRE-CABLAGE 4GR	VERDRAHTUNHDECKEL 4GR
6	77278520	COPRIMPIANTO JUN	CABLE-COVER JUN	COUVRE-CABLAGE JUN	VERDRAHTUNHDECKEL JUN
7	77278528	COPRIMPIANTO 2GR+CAPP.3S	CABLE-COVER 2GR DS	COUVRE-CABLAGE 2GR DS	VERDRAHTUNHDECKEL 2GR DS
7	77278529	COPRIMPIANTO 3GR+CAPP.3S	CABLE-COVER 3GR DS	COUVRE-CABLAGE 3GR DS	VERDRAHTUNHDECKEL 3GR DS
8	15029050	MANOPOLA	KNOB	POIGNEE	HANDGRIFF
9	15029051	TAPPO MANOPOLA	CAP KNOB	BOUCHON POIGNEE	DECKEL HANDGRIFF
10	77044139	COPRICALDAIA ER/1 CTS INOX/LUC	S.STEEL BOILER COVER 1GR	COUVRE-CHAUDIERE INOX 1GR	KESSELDECKEL 1GR STAHL
10	77044140	COPRICALDAIA ER/2 CTS INOX/LUC	S.STEEL BOILER COVER 2GR	COUVRE-CHAUDIERE INOX 2GR	KESSELDECKEL 2GR STAHL
10	77044141	COPRICALDAIA ER/3 CTS INOX/LUC	S.STEEL BOILER COVER 3GR	COUVRE-CHAUDIERE INOX 3GR	KESSELDECKEL 3GR STAHL
10	77044142	COPRICALDAIA ER/4 CTS INOX/LUC	S.STEEL BOILER COVER 4GR	COUVRE-CHAUDIERE INOX 4GR	KESSELDECKEL 4GR STAHL
10	77044178	COPRICALDAIA ER/J CTS INOX/LUC	S.STEEL BOILER COVER JUN	COUVRE-CHAUDIERE INOX JUN	KESSELDECKEL JUN STAHL
11	77044147	COPRICALDAIA ER/1+DISPLAY CTS INOX/LUC	S.STEEL BOILER COVER 1GR+DISPLAY	COUVRE-CHAUDIERE INOX 1GR+DISPLAY	KESSELDECKEL 1GR+DISPLAY STAHL
11	77044148	COPRICALDAIA ER/2+DISPLAY CTS INOX/LUC	S.STEEL BOILER COVER 2GR+DISPLAY	COUVRE-CHAUDIERE INOX 2GR+DISPLAY	KESSELDECKEL 2GR+DISPLAY STAHL
11	77044149	COPRICALDAIA ER/3+DISPLAY CTS INOX/LUC	S.STEEL BOILER COVER 3GR+DISPLAY	COUVRE-CHAUDIERE INOX 3GR+DISPLAY	KESSELDECKEL 3GR+DISPLAY STAHL
11	77044150	COPRICALDAIA ER/4+DISPLAY CTS INOX/LUC	S.STEEL BOILER COVER 4GR+DISPLAY	COUVRE-CHAUDIERE INOX 4GR+DISPLAY	KESSELDECKEL 4GR+DISPLAY STAHL

NERO - BLACK - NOIR - SCHWARZ

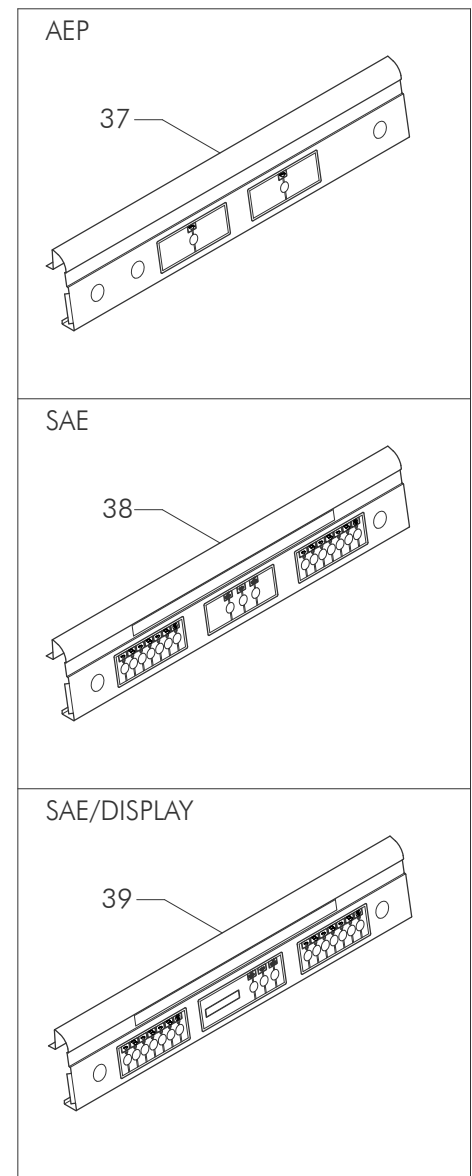
Pos	Code	Denominazione - IT -	Denomination - EN -	Denomination - FR -	Denomination - DE -
12	77044159	COPRICALDAIA ER/1 CTS INOX/LUC GR.RI	S.STEEL BOILER COVER 1GR RAISED GROUPS	COUVRE-CHAUDIERE INOX 1GR GROUPES	KESSELDECKEL 1GR STAHL ERHOEHTE GRUPPEN
12	77044160	COPRICALDAIA ER/2 CTS INOX/LUC GR.RI	S.STEEL BOILER COVER 3GR RAISED GROUPS	COUVRE-CHAUDIERE INOX 2GR GROUPES	KESSELDECKEL 2GR STAHL ERHOEHTE GRUPPEN
12	77044161	COPRICALDAIA ER/3 CTS INOX/LUC GR.RI	S.STEEL BOILER COVER 3GR RAISED GROUPS	COUVRE-CHAUDIERE INOX 3GR GROUPES	KESSELDECKEL 3GR STAHL ERHOEHTE GRUPPEN
12	77044162	COPRICALDAIA ER/4 CTS INOX/LUC GR.RI	S.STEEL BOILER COVER 4GR RAISED GRUOPS	COUVRE-CHAUDIERE INOX 4GR GROUPES	KESSELDECKEL 4GR STAHL ERHOEHTE GRUPPEN
13	77044163	COPRICALDAIA ER/1 DISPLAY INOX/LUC GR.RI.	S.STEEL BOILER COVER 1GR DISPLAY	COUVRE-CHAUDIERE INOX 1GR DISPLAY GR.RE.	KESSELDECKEL 1GR STAHL DISPLAY ERHOEHTE
13	77044164	COPRICALDAIA ER/2 DISPLAY INOX/LUC GR.RI.	S.STEEL BOILER COVER 2GR DISPLAY	COUVRE-CHAUDIERE INOX 2GR DISPLAY GR.RE.	KESSELDECKEL 2GR STAHL DISPLAY ERHOEHTE
13	77044165	COPRICALDAIA ER/3 DISPLAY INOX/LUC GR.RI.	S.STEEL BOILER COVER 3GR DISPLAY	COUVRE-CHAUDIERE INOX 3GR DISPLAY GR.RE.	KESSELDECKEL 3GR STAHL DISPLAY ERHOEHTE
13	77044166	COPRICALDAIA ER/4 DISPLAY INOX/LUC GR.RI	S.STEEL BOILER COVER 4GR DISPLAY	COUVRE-CHAUDIERE INOX 4GR DISPLAY GR.RE.	KESSELDECKEL 4GR STAHL DISPLAY ERHOEHTE
14	73130302	FIANCO DESTRO NERO RAL9005+BRILL	RIGHT SIDE PANEL BLACK	COTE DROITE NOIR	RECHTE SEITE SCHWARZ
15	21202	SEGNALIVELLO	LEVEL INDICATOR	SIGNAL NIVEAU	FARBLOSER NIVEAUANZEIGER
16	77691990	COPERTURA GRUPPO INOX	S.STEEL GROUP COVER	COUVRE-GROUPE INOX	GRUPPENDECKEL STAHL
17	23420001	VITE TE BOMBATA M6x12 OT/Ni	M6x12NICKEL-PLATED BRASS HEX.HEAD SCREW	VIS TH LAITON M6x12 NICKEL	SECHSKANTSCHRAUBE AUS MESSING M6x12
18	76152000	GRIGLIA INF.WN01 INOX LUC.316x201	LOWER GRILL 316x201 - SHINY S.STEEL	GRILLE INF.INOX 316x201	STAHL-UNTERGITTER 316x201
19	76153000	GRIGLIA INFERIORE INOX LUC.456x201	LOWER GRILL 456x201 SHINY S.STEEL	GRILLE INF.INOX 456x201	STAHL-UNTERGITTER 456x201
20	76154000	GRIGLIA INF.DESTRA INOX LUC.338.5x201	RIGHT LOWER GRILL -SHINY S.STEEL	GRILLE INF.DROIT INOX 338,5x201	STAHL-UNTER-RECHTEGITTER 338,5x201
21	76155000	GRIGLIA INF.SINISTRA INOX LUC.338.5x201	LEFT LOWER GRILL - SHINY S.STEEL	GRILLE INF.GAUCHE INOX 338,5x201	STAHL-UNTER-LINKEGITTER 338,5x201
22	76156000	GRIGLIA INFERIORE INOX LUC.	LOWER GRILL - SHINY S.STEEL	GRILLE INF.INOX	STAHL-UNTERGITTER
23	76095	BACINELLA 1GR INOX LUCIDO	1GR GLOSSY STAINLESS STEEL TRAY	BASSINELLE 1GR INOX BRILLANT	STAHLSCHALE 1GR
23	76096	BACINELLA 2GR INOX LUCIDO	2GR GLOSSY STAINLESS STEEL TRAY	BASSINELLE 2GR INOX BRILLANT	STAHLSCHALE 2GR
23	76097	BACINELLA 3GR INOX LUCIDO	3GR GLOSSY STAINLESS STEEL TRAY	BASSINELLE 3GR INOX BRILLANT	STAHLSCHALE 3GR
23	76098	BACINELLA 4GR INOX LUCIDO	4GR GLOSSY STAINLESS STEEL TRAY	BASSINELLE 4GR INOX BRILLANT	STAHLSCHALE 4GR
23	76094	BACINELLA JUN INOX LUCIDO	JUN GLOSSY STAINLESS STEEL TRAY	BASSINELLE JUN INOX BRILLANT	STAHLSCHALE JUN
24	77487201	PROFILO BASAMENTO ANT.1GR NERO 9005+BRILL	BASE SURROUND 1GR BLACK	PROFILS BASE 1GR NOIR	GRUNDPROFIL 1GR SCHWARZ
24	77487202	PROFILO BASAMENTO ANT.2GR NERO 9005+BRILL	BASE SURROUND 2GR BLACK	PROFILS BASE 2GR NOIR	GRUNDPROFIL 2GR SCHWARZ
24	77487203	PROFILO BASAMENTO ANT.3GR NERO 9005+BRILL	BASE SURROUND 3GR BLACK	PROFILS BASE 3GR NOIR	GRUNDPROFIL 3GR SCHWARZ
24	77487204	PROFILO BASAMENTO ANT.4GR NERO 9005+BRILL	BASE SURROUND 4GR BLACK	PROFILS BASE 4GR NOIR	GRUNDPROFIL 4GR SCHWARZ
24	77487209	PROFILO BASAMENTO ANT.JUN NERO 9005+BRILL	BASE SURROUND JUN BLACK	PROFILS BASE JUN NOIR	GRUNDPROFIL JUN SCHWARZ
25	77487229	PROFILO BASAMENTO ANT.1GR NERO 9005+BRILL	BASE SURROUND 1GR BLACK	PROFILS BASE 1GR NOIR	GRUNDPROFIL 1GR SCHWARZ
25	77487230	PROFILO BASAMENTO ANT.2GR NERO 9005+BRILL	BASE SURROUND 2GR BLACK	PROFILS BASE 2GR NOIR	GRUNDPROFIL 2GR SCHWARZ
25	77487231	PROFILO BASAMENTO ANT.3GR NERO 9005+BRILL	BASE SURROUND 3GR BLACK	PROFILS BASE 3GR NOIR	GRUNDPROFIL 3GR SCHWARZ
25	77487232	PROFILO BASAMENTO ANT.4GR NERO 9005+BRILL	BASE SURROUND 4GR BLACK	PROFILS BASE 4GR NOIR	GRUNDPROFIL 4GR SCHWARZ
26	77691959	PROTEZIONE PULSANTIERA DS	TOUCH-PAD DS PROTECTION	PROTECTION CLAVIER DS	SCHUTZ BEDIENBLLENDE DS
27	83770200R	KIT BASAMENTO 1GR ASD INGLESE NERO 9005+BR	ASSEMBLY BASE SURROUND 1GR ASD ENGLISH	ENSEMBLE PROFIL BASE 1GR ASD ANGLAIS	GRUNDPROFIL 1GR ASD ENGLISCH SCHWARZ
27	83770202R	KIT BASAMENTO 1GR ASD TEDESCO NERO 9005+BR	ASSEMBLY BASE SURROUND 1GR ASD GERMAN	ENSEMBLE PROFIL BASE 1GR ASD ALLEMANDE	GRUNDPROFIL 1GR ASD DEUTSCH SCHWARZ
27	83770204R	KIT BASAMENTO 2GR ASD INGLESE NERO 9005+BR	ASSEMBLY BASE SURROUND 2GR ASD ENGLISH	ENSEMBLE PROFIL BASE 2GR ASD ANGLAIS	GRUNDPROFIL 2GR ASD ENGLISCH SCHWARZ
27	83770206R	KIT BASAMENTO 2GR ASD TEDESCO NERO 9005+BR	ASSEMBLY BASE SURROUND 2GR ASD GERMAN	ENSEMBLE PROFIL BASE 2GR ASD ALLEMANDE	GRUNDPROFIL 2GR ASD DEUTSCH SCHWARZ
27	83770208R	KIT BASAMENTO 3GR ASD INGLESE NERO 9005+BR	ASSEMBLY BASE SURROUND 3GR ASD ENGLISH	ENSEMBLE PROFIL BASE 3GR ASD ANGLAIS	GRUNDPROFIL 3GR ASD ENGLISCH SCHWARZ
27	83770210R	KIT BASAMENTO 3GR ASD TEDESCO NERO 9005+BR	ASSEMBLY BASE SURROUND 3GR ASD GERMAN	ENSEMBLE PROFIL BASE 3GR ASD ALLEMANDE	GRUNDPROFIL 3GR ASD DEUTSCH SCHWARZ

NERO - BLACK - NOIR - SCHWARZ

Pos	Code	Denominazione - IT -	Denomination - EN -	Denomination - FR -	Denomination - DE -
28	83770201R	KIT BASAMENTO 1GR DS INGLESE NERO 9005+BRI	ASSEMBLY BASE SURROUND 1GR DS ENGLISH	ENSEMBLE PROFIL BASE 1GR DS ANGLAIS	GRUNDPROFIL 1GR DS ENGLISCH SCHWARZ
28	83770203R	KIT BASAMENTO 1GR DS TEDESCO NERO 9005+BRI	ASSEMBLY BASE SURROUND 1GR DS GERMAN	ENSEMBLE PROFIL BASE 1GR DS ALLEMANDE	GRUNDPROFIL 1GR DS DEUTSCH SCHWARZ
28	83770205R	KIT BASAMENTO 2GR DS INGLESE NERO 9005+BRI	ASSEMBLY BASE SURROUND 2GR DS ENGLISH	ENSEMBLE PROFIL BASE 2GR DS ANGLAIS	GRUNDPROFIL 2GR DS ENGLISCH SCHWARZ
28	83770207R	KIT BASAMENTO 2GR DS TEDESCO NERO 9005+BRI	ASSEMBLY BASE SURROUND 2GR DS GERMAN	ENSEMBLE PROFIL BASE 2GR DS ALLEMANDE	GRUNDPROFIL 2GR DS DEUTSCH SCHWARZ
28	83770209R	KIT BASAMENTO 3GR DS INGLESE NERO 9005+BRI	ASSEMBLY BASE SURROUND 3GR DS ENGLISH	ENSEMBLE PROFIL BASE 3GR DS ANGLAIS	GRUNDPROFIL 3GR DS ENGLISCH SCHWARZ
28	83770211R	KIT BASAMENTO 3GR DS TEDESCO NERO 9005+BRI	ASSEMBLY BASE SURROUND 3GR DS GERMAN	ENSEMBLE PROFIL BASE 3GR DS ALLEMANDE	GRUNDPROFIL 3GR DS DEUTSCH SCHWARZ
29	77741	GUIDA DESTRA-SINISTRA BACINELLA	R-L BASIN GUIDE FOR FRAMES	GUIDE DX-SX CUVE x CHASSIS	FUHRUNG RECHTS-LINKS SCHALE FUR RAH
30	77742005	DISTANZIALE GUIDA BACINELLA	SPACER GLOSSY	ENTRETOISE CUVE	DISTANZSTUCK
31	77607020	SUPPORTO DESTRO-SINISTRO FIANCO	RIGHT-LEFT SUPPORT	SUPPORT DROIT-GAUCHE	RECHTS/LINKS HALTER
32	15318002	PIEDINO REGOLABILE INOX/SAT	ADJUSTABLE FOOT	PIED REGLABLE	REGELBARER FUSS
33	15373070	TAPPO ABS CROMATO FORO GAS	CHROMED CAP	BOUCHON CHROME COUVRE-TROU DU GAZ	CHROM CAP
34	76149054	GRIGLIA RIALZO TAZZE 1/2GR	CUPS-STAND FOR RAISED GROUP 1/2GR	GRILLE SUPERIEURE 1/2GR	GITTER FUER HOHE GRUPPE 1/2GR
35	78150060	SUPPORTO MANOMETRO 1>4GR	GAUGE SUPPORT 1>4GR	SUPPORT MANOMETRE 1>4GR	MANOMETERHALTER 1>4GR
36	4621109	MANOMETRO QUADRO DOPPIA SCALA CW510L	SQUARE GAUGE DOUBLE L. SCALE	MANOMETRE TABLEAU DOUBLE ECHELLE L.	MANOMETERTAFEL DOPPELSKAL
37	56901302	FRONTONE ASS.AEP/1 NERO 9005+BRILL	ASSEMBLY FRONT PANEL AEP/1 BLACK	ENSEMBLE PANNEAU FRONTAL AEP/1 NOIR	STIRNTAFEL AEP/1 SCHWARZ GRUPPE
37	56901310	FRONTONE ASS.AEP/2 NERO 9005+BRILL	ASSEMBLY FRONT PANEL AEP/2 BLACK	ENSEMBLE PANNEAU FRONTAL AEP/2 NOIR	STIRNTAFEL AEP/2 SCHWARZ GRUPPE
37	56901324	FRONTONE ASS.AEP/3 NERO 9005+BRILL	ASSEMBLY FRONT PANEL AEP/3 BLACK	ENSEMBLE PANNEAU FRONTAL AEP/3 NOIR	STIRNTAFEL AEP/3 SCHWARZ GRUPPE
37	56901332	FRONTONE ASS.AEP/4 NERO 9005+BRILL	ASSEMBLY FRONT PANEL AEP/4 BLACK	ENSEMBLE PANNEAU FRONTAL AEP/4 NOIR	STIRNTAFEL AEP/4 SCHWARZ GRUPPE
37	56901294	FRONTONE ASS.AEP/J NERO 9005+BRILL	ASSEMBLY FRONT PANEL AEP/J BLACK	ENSEMBLE PANNEAU FRONTAL AEP/J NOIR	STIRNTAFEL AEP/J SCHWARZ GRUPPE
38	56901306	FRONTONE ASS.SAE/1 6T NERO 9005+BRILL	ASSEMBLY FRONT PANEL SAE/1 6T BLACK	ENSEMBLE PANNEAU FRONTAL SAE/1 6T NOIR	STIRNTAFEL SAE/1 6T SCHWARZ GRUPPE
38	56901314	FRONTONE ASS.SAE/2 6T NERO 9005+BRILL	ASSEMBLY FRONT PANEL SAE/2 6T BLACK	ENSEMBLE PANNEAU FRONTAL SAE/2 6T NOIR	STIRNTAFEL SAE/2 6T SCHWARZ GRUPPE
38	56901328	FRONTONE ASS.SAE/3 6T NERO 9005+BRILL	ASSEMBLY FRONT PANEL SAE/3 6T BLACK	ENSEMBLE PANNEAU FRONTAL SAE/3 6T NOIR	STIRNTAFEL SAE/3 6T SCHWARZ GRUPPE
38	56901336	FRONTONE ASS.SAE/4 6T NERO 9005+BRILL	ASSEMBLY FRONT PANEL SAE/4 6T BLACK	ENSEMBLE PANNEAU FRONTAL SAE/4 6T NOIR	STIRNTAFEL SAE/4 6T SCHWARZ GRUPPE
38	56901298	FRONTONE ASS.SAE/J 6T NERO 9005+BRILL	ASSEMBLY FRONT PANEL SAE/J 6T BLACK	ENSEMBLE PANNEAU FRONTAL SAE/J 6T NOIR	STIRNTAFEL SAE/J 6T SCHWARZ GRUPPE
39	56901315	FRONTONE ASS.SAE/2+DISPLAY 6T NERO 9005+BR	ASSEMBLY FRONT PANEL DISPLAY 2 BLACK	ENSEMBLE PANNEAU FRONTAL DISPLAY 2 NOIR	STIRNTAFEL DISPLAY 2 SCHWARZ GRUPPE
39	56901329	FRONTONE ASS.SAE/3+DISPLAY 6T NERO 9005+BR	ASSEMBLY FRONT PANEL DISPLAY 3 BLACK	ENSEMBLE PANNEAU FRONTAL DISPLAY 3 NOIR	STIRNTAFEL DISPLAY 3 SCHWARZ GRUPPE
39	56901337	FRONTONE ASS.SAE/4+DISPLAY 6T NERO 9005+BR	ASSEMBLY FRONT PANEL DISPLAY 4 BLACK	ENSEMBLE PANNEAU FRONTAL DISPLAY 4 NOIR	STIRNTAFEL DISPLAY 4 SCHWARZ GRUPPE



* - Gruppi rialzati
- Raised groups
- Groupes rehaussés
- Erhoehte Gruppen



INOX - S.STEEL - INOX - STAHL

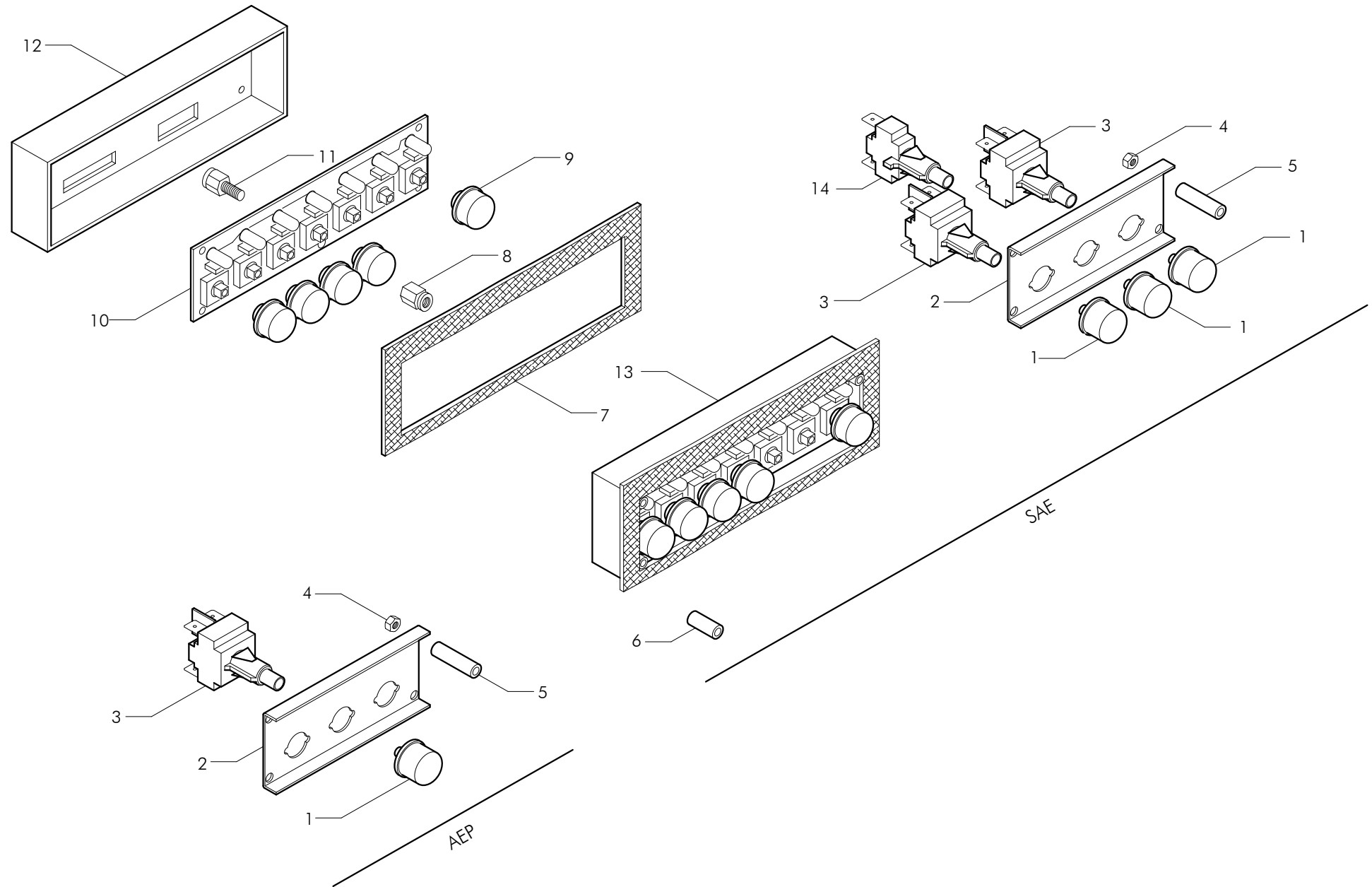
Pos	Code	Denominazione - IT -	Denomination - EN -	Denomination - FR -	Denomination - DE -
1	73130301	FIANCO SINISTRO INOX	LEFT SIDE PANEL S.STEEL	COTE GAUCHE INOX	LINKE SEITE STAHL
2	75288309	PANNELLO SUP.1GR INOX	TOP PANEL 1GR S.STEEL	PANNEAU SUP.1GR INOX	OBERTAFEL 1GR STAHL
2	75288311	PANNELLO SUP.2GR INOX	TOP PANEL 2GR S.STEEL	PANNEAU SUP.2GR INOX	OBERTAFEL 2GR STAHL
2	75288313	PANNELLO SUP.3GR INOX	TOP PANEL 3GR S.STEEL	PANNEAU INF.3GR INOX	OBERTAFEL 3GR STAHL
2	75288315	PANNELLO SUP.4GR INOX	TOP PANEL 4GR S.STEEL	PANNEAU SUP.4GR INOX	OBERTAFEL 4GR STAHL
2	75288335	PANNELLO SUP.JUN INOX	TOP PANEL JUN S.STEEL	PANNEAU SUP.JUN INOX	OBERTAFEL JUN STAHL
3	75288308	PANNELLO INF.1GR INOX	LOWER PANEL 1GR S.STEEL	PANNEAU INF.1GR INOX	UNTERTAFEL 1GR STAHL
3	75288310	PANNELLO INF.2GR INOX	LOWER PANEL 2GR S.STEEL	PANNEAU INF.1GR INOX	UNTERTAFEL 1GR STAHL
3	75288312	PANNELLO INF.3GR INOX	LOWER PANEL 3GR S.STEEL	PANNEAU INF.3GR INOX	UNTERTAFEL 3GR STAHL
3	75288314	PANNELLO INF.4GR INOX	LOWER PANEL 4GR S.STEEL	PANNEAU INF.4GR INOX	UNTERTAFEL 4GR STAHL
3	75288334	PANNELLO INF.JUN INOX	LOWER PANEL JUN S.STEEL	PANNEAU INF.JUN INOX	UNTERTAFEL JUN STAHL
4	76100127	GRIGLIA SUPERIORE 1GR INOX	TOP GRATE 1GR S.STEEL	GRILLE SUP. 1GR INOX	OBERGITTER 1GR STAHL
4	76100128	GRIGLIA SUPERIORE 2GR INOX	TOP GRATE 2GR S.STEEL	GRILLE SUP. 2GR INOX	OBERGITTER 2GR STAHL
4	76100129	GRIGLIA SUPERIORE 3GR INOX	TOP GRATE 3GR S.STEEL	GRILLE SUP. 3GR INOX	OBERGITTER 3GR STAHL
4	76100130	GRIGLIA SUPERIORE 4GR INOX	TOP GRATE 4GR S.STEEL	GRILLE SUP. 4GR INOX	OBERGITTER 4GR STAHL
4	76100131	GRIGLIA SUPERIORE JUN INOX	TOP GRATE JUN S.STEEL	GRILLE SUP. JUN INOX	OBERGITTER JUN STAHL
5	77197521	PROFILO SUP.1GR INOX	S.STEEL TOP SECTION 1GR	PROFILS SUP. INOX 1GR	STAHL-OBERUMRANDUNG 1GR
5	77197522	PROFILO SUP.2GR INOX	S.STEEL TOP SECTION 2GR	PROFILS SUP. INOX 2GR	STAHL-OBERUMRANDUNG 2GR
5	77197523	PROFILO SUP.3GR INOX	S.STEEL TOP SECTION 3GR	PROFILS SUP. INOX 3GR	STAHL-OBERUMRANDUNG 3GR
5	77197524	PROFILO SUP.4GR INOX	S.STEEL TOP SECTION 4GR	PROFILS SUP. INOX 4GR	STAHL-OBERUMRANDUNG 4GR
5	77197525	PROFILO SUP.JUN INOX	S.STEEL TOP SECTION JUN	PROFILS SUP. INOX JUN	STAHL-OBERUMRANDUNG JUN
6	77278516	COPRIMPIANTO 1GR	CABLE-COVER 1GR	COUVRE-CABLAGE 1GR	VERDRAHTUNHDECKEL 1GR
6	77278517	COPRIMPIANTO 2GR	CABLE-COVER 2GR	COUVRE-CABLAGE 2GR	VERDRAHTUNHDECKEL 2GR
6	77278518	COPRIMPIANTO 3GR	CABLE-COVER 3GR	COUVRE-CABLAGE 3GR	VERDRAHTUNHDECKEL 3GR
6	77278519	COPRIMPIANTO 4GR	CABLE-COVER 4GR	COUVRE-CABLAGE 4GR	VERDRAHTUNHDECKEL 4GR
6	77278520	COPRIMPIANTO JUN	CABLE-COVER JUN	COUVRE-CABLAGE JUN	VERDRAHTUNHDECKEL JUN
7	77278528	COPRIMPIANTO 2GR+CAPP.3S	CABLE-COVER 2GR DS	COUVRE-CABLAGE 2GR DS	VERDRAHTUNHDECKEL 2GR DS
7	77278529	COPRIMPIANTO 3GR+CAPP.3S	CABLE-COVER 3GR DS	COUVRE-CABLAGE 3GR DS	VERDRAHTUNHDECKEL 3GR DS
8	15029050	MANOPOLA	KNOB	POIGNEE	HANDGRIFF
9	15029051	TAPPO MANOPOLA	CAP KNOB	BOUCHON POIGNEE	DECKEL HANDGRIFF
10	77044139	COPRICALDAIA ER/1 CTS INOX/LUC	S.STEEL BOILER COVER 1GR	COUVRE-CHAUDIERE INOX 1GR	KESSELDECKEL 1GR STAHL
10	77044140	COPRICALDAIA ER/2 CTS INOX/LUC	S.STEEL BOILER COVER 2GR	COUVRE-CHAUDIERE INOX 2GR	KESSELDECKEL 2GR STAHL
10	77044141	COPRICALDAIA ER/3 CTS INOX/LUC	S.STEEL BOILER COVER 3GR	COUVRE-CHAUDIERE INOX 3GR	KESSELDECKEL 3GR STAHL
10	77044142	COPRICALDAIA ER/4 CTS INOX/LUC	S.STEEL BOILER COVER 4GR	COUVRE-CHAUDIERE INOX 4GR	KESSELDECKEL 4GR STAHL
10	77044178	COPRICALDAIA ER/J CTS INOX/LUC	S.STEEL BOILER COVER JUN	COUVRE-CHAUDIERE INOX JUN	KESSELDECKEL JUN STAHL
11	77044147	COPRICALDAIA ER/1+DISPLAY CTS INOX/LUC	S.STEEL BOILER COVER 1GR+DISPLAY	COUVRE-CHAUDIERE INOX 1GR+DISPLAY	KESSELDECKEL 1GR+DISPLAY STAHL
11	77044148	COPRICALDAIA ER/2+DISPLAY CTS INOX/LUC	S.STEEL BOILER COVER 2GR+DISPLAY	COUVRE-CHAUDIERE INOX 2GR+DISPLAY	KESSELDECKEL 2GR+DISPLAY STAHL
11	77044149	COPRICALDAIA ER/3+DISPLAY CTS INOX/LUC	S.STEEL BOILER COVER 3GR+DISPLAY	COUVRE-CHAUDIERE INOX 3GR+DISPLAY	KESSELDECKEL 3GR+DISPLAY STAHL
11	77044150	COPRICALDAIA ER/4+DISPLAY CTS INOX/LUC	S.STEEL BOILER COVER 4GR+DISPLAY	COUVRE-CHAUDIERE INOX 4GR+DISPLAY	KESSELDECKEL 4GR+DISPLAY STAHL

INOX - S.STEEL - INOX - STAHL

Pos	Code	Denominazione - IT -	Denomination - EN -	Denomination - FR -	Denomination - DE -
12	77044159	COPRICALDAIA ER/1 CTS INOX/LUC GR.RI	S.STEEL BOILER COVER 1GR RAISED GROUPS	COUVRE-CHAUDIERE INOX 1GR GROUPES	KESSELDECKEL 1GR STAHL ERHOEHTE GRUPPEN
12	77044160	COPRICALDAIA ER/2 CTS INOX/LUC GR.RI	S.STEEL BOILER COVER 3GR RAISED GROUPS	COUVRE-CHAUDIERE INOX 2GR GROUPES	KESSELDECKEL 2GR STAHL ERHOEHTE GRUPPEN
12	77044161	COPRICALDAIA ER/3 CTS INOX/LUC GR.RI	S.STEEL BOILER COVER 3GR RAISED GROUPS	COUVRE-CHAUDIERE INOX 3GR GROUPES	KESSELDECKEL 3GR STAHL ERHOEHTE GRUPPEN
12	77044162	COPRICALDAIA ER/4 CTS INOX/LUC GR.RI	S.STEEL BOILER COVER 4GR RAISED GRUOPS	COUVRE-CHAUDIERE INOX 4GR GROUPES	KESSELDECKEL 4GR STAHL ERHOEHTE GRUPPEN
13	77044163	COPRICALDAIA ER/1 DISPLAY INOX/LUC GR.RI.	S.STEEL BOILER COVER 1GR DISPLAY	COUVRE-CHAUDIERE INOX 1GR DISPLAY GR.RE.	KESSELDECKEL 1GR STAHL DISPLAY ERHOEHTE
13	77044164	COPRICALDAIA ER/2 DISPLAY INOX/LUC GR.RI.	S.STEEL BOILER COVER 2GR DISPLAY	COUVRE-CHAUDIERE INOX 2GR DISPLAY GR.RE.	KESSELDECKEL 2GR STAHL DISPLAY ERHOEHTE
13	77044165	COPRICALDAIA ER/3 DISPLAY INOX/LUC GR.RI.	S.STEEL BOILER COVER 3GR DISPLAY	COUVRE-CHAUDIERE INOX 3GR DISPLAY GR.RE.	KESSELDECKEL 3GR STAHL DISPLAY ERHOEHTE
13	77044166	COPRICALDAIA ER/4 DISPLAY INOX/LUC GR.RI	S.STEEL BOILER COVER 4GR DISPLAY	COUVRE-CHAUDIERE INOX 4GR DISPLAY GR.RE.	KESSELDECKEL 4GR STAHL DISPLAY ERHOEHTE
14	73130300	FIANCO DESTRO INOX	RIGHT SIDE PANEL S.STEEL	COTE DROITE INOX	RECHTE SEITE STAHL
15	21202	SEGNALIVELLO	LEVEL INDICATOR	SIGNAL NIVEAU	FARBLOSER NIVEAUANZEIGER
16	77691990	COPERTURA GRUPPO INOX	S.STEEL GROUP COVER	COUVRE-GROUPE INOX	GRUPPENDECKEL STAHL
17	23420001	VITE TE BOMBATA M6x12 OT/Ni	M6x12NICKEL-PLATED BRASS HEX.HEAD SCREW	VIS TH LAITON M6x12 NICKEL	SECHSKANTSCHRAUBE AUS MESSING M6x12
18	76152000	GRIGLIA INF.WN01 INOX LUC.316x201	LOWER GRILL 316x201 - SHINY S.STEEL	GRILLE INF.INOX 316x201	STAHL-UNTERGITTER 316x201
19	76153000	GRIGLIA INFERIORE INOX LUC.456x201	LOWER GRILL 456x201 SHINY S.STEEL	GRILLE INF.INOX 456x201	STAHL-UNTERGITTER 456x201
20	76154000	GRIGLIA INF.DESTRA INOX LUC.338.5x201	RIGHT LOWER GRILL -SHINY S.STEEL	GRILLE INF.DROIT INOX 338,5x201	STAHL-UNTER-RECHTEGITTER 338,5x201
21	76155000	GRIGLIA INF.SINISTRA INOX LUC.338.5x201	LEFT LOWER GRILL - SHINY S.STEEL	GRILLE INF.GAUCHE INOX 338,5x201	STAHL-UNTER-LINKEGITTER 338,5x201
22	76156000	GRIGLIA INFERIORE INOX LUC.	LOWER GRILL - SHINY S.STEEL	GRILLE INF.INOX	STAHL-UNTERGITTER
23	76095	BACINELLA 1GR INOX LUCIDO	1GR GLOSSY STAINLESS STEEL TRAY	BASSINELLE 1GR INOX BRILLANT	STAHLSCHALE 1GR
23	76096	BACINELLA 2GR INOX LUCIDO	2GR GLOSSY STAINLESS STEEL TRAY	BASSINELLE 2GR INOX BRILLANT	STAHLSCHALE 2GR
23	76097	BACINELLA 3GR INOX LUCIDO	3GR GLOSSY STAINLESS STEEL TRAY	BASSINELLE 3GR INOX BRILLANT	STAHLSCHALE 3GR
23	76098	BACINELLA 4GR INOX LUCIDO	4GR GLOSSY STAINLESS STEEL TRAY	BASSINELLE 4GR INOX BRILLANT	STAHLSCHALE 4GR
23	76094	BACINELLA JUN INOX LUCIDO	JUN GLOSSY STAINLESS STEEL TRAY	BASSINELLE JUN INOX BRILLANT	STAHLSCHALE JUN
24	77487205	PROFILO BASAMENTO ANT.1GR INOX	BASE SURROUND 1GR S.STEEL	PROFILS BASE 1GR INOX	GRUNDPROFIL 1GR STAHL
24	77487206	PROFILO BASAMENTO ANT.2GR INOX	BASE SURROUND 2GR S.STEEL	PROFILS BASE 2GR INOX	GRUNDPROFIL 2GR STAHL
24	77487207	PROFILO BASAMENTO ANT.3GR INOX	BASE SURROUND 3GR S.STEEL	PROFILS BASE 3GR INOX	GRUNDPROFIL 3GR STAHL
24	77487208	PROFILO BASAMENTO ANT.4GR INOX	BASE SURROUND 4GR S.STEEL	PROFILS BASE 4GR INOX	GRUNDPROFIL 4GR STAHL
24	77487210	PROFILO BASAMENTO ANT.JUN INOX	BASE SURROUND JUN S.STEEL	PROFILS BASE JUN INOX	GRUNDPROFIL JUN STAHL
25	77487233	PROFILO BASAMENTO ANT.1GR INOX GAS	BASE SURROUND 1GR S.STEEL	PROFILS BASE 1GR INOX	GRUNDPROFIL 1GR STAHL
25	77487234	PROFILO BASAMENTO ANT.2GR INOX GAS	BASE SURROUND 2GR S.STEEL	PROFILS BASE 2GR INOX	GRUNDPROFIL 2GR STAHL
25	77487235	PROFILO BASAMENTO ANT.3GR INOX GAS	BASE SURROUND 3GR S.STEEL	PROFILS BASE 3GR INOX	GRUNDPROFIL 3GR STAHL
25	77487236	PROFILO BASAMENTO ANT.4GR INOX GAS	BASE SURROUND 4GR S.STEEL	PROFILS BASE 4GR INOX	GRUNDPROFIL 4GR STAHL
26	77691959	PROTEZIONE PULSANTIERA DS	TOUCH-PAD DS PROTECTION	PROTECTION CLAVIER DS	SCHUTZ BEDIENBLENDE DS
27	83770216R	KIT BASAMENTO 1GR ASD INGLESE INOX	ASSEMBLY BASE SURROUND 1GR ASD ENGLISH	ENSEMBLE PROFIL BASE 1GR ASD ANGLAIS	GRUNDPROFIL 1GR ASD ENGLISCH STAHL
27	83770218R	KIT BASAMENTO 1GR ASD TEDESCO INOX	ASSEMBLY BASE SURROUND 1GR ASD GERMAN	ENSEMBLE PROFIL BASE 1GR ASD ALLEMANDE	GRUNDPROFIL 1GR ASD DEUTSCH STAHL
27	83770220R	KIT BASAMENTO 2GR ASD INGLESE INOX	ASSEMBLY BASE SURROUND 2GR ASD ENGLISH	ENSEMBLE PROFIL BASE 2GR ASD ANGLAIS	GRUNDPROFIL 2GR ASD ENGLISCH STAHL
27	83770222R	KIT BASAMENTO 2GR ASD TEDESCO INOX	ASSEMBLY BASE SURROUND 2GR ASD GERMAN	ENSEMBLE PROFIL BASE 2GR ASD ALLEMANDE	GRUNDPROFIL 2GR ASD DEUTSCH STAHL
27	83770226R	KIT BASAMENTO 3GR ADS TEDESCO INOX	ASSEMBLY BASE SURROUND 3GR ASD GERMAN	ENSEMBLE PROFIL BASE 3GR ASD ALLEMANDE	GRUNDPROFIL 3GR ASD DEUTSCH STAHL
27	83770224R	KIT BASAMENTO 3GR ASD INGLESE INOX	ASSEMBLY BASE SURROUND 3GR ASD ENGLISH	ENSEMBLE PROFIL BASE 3GR ASD ANGLAIS	GRUNDPROFIL 3GR ASD ENGLISCH STAHL

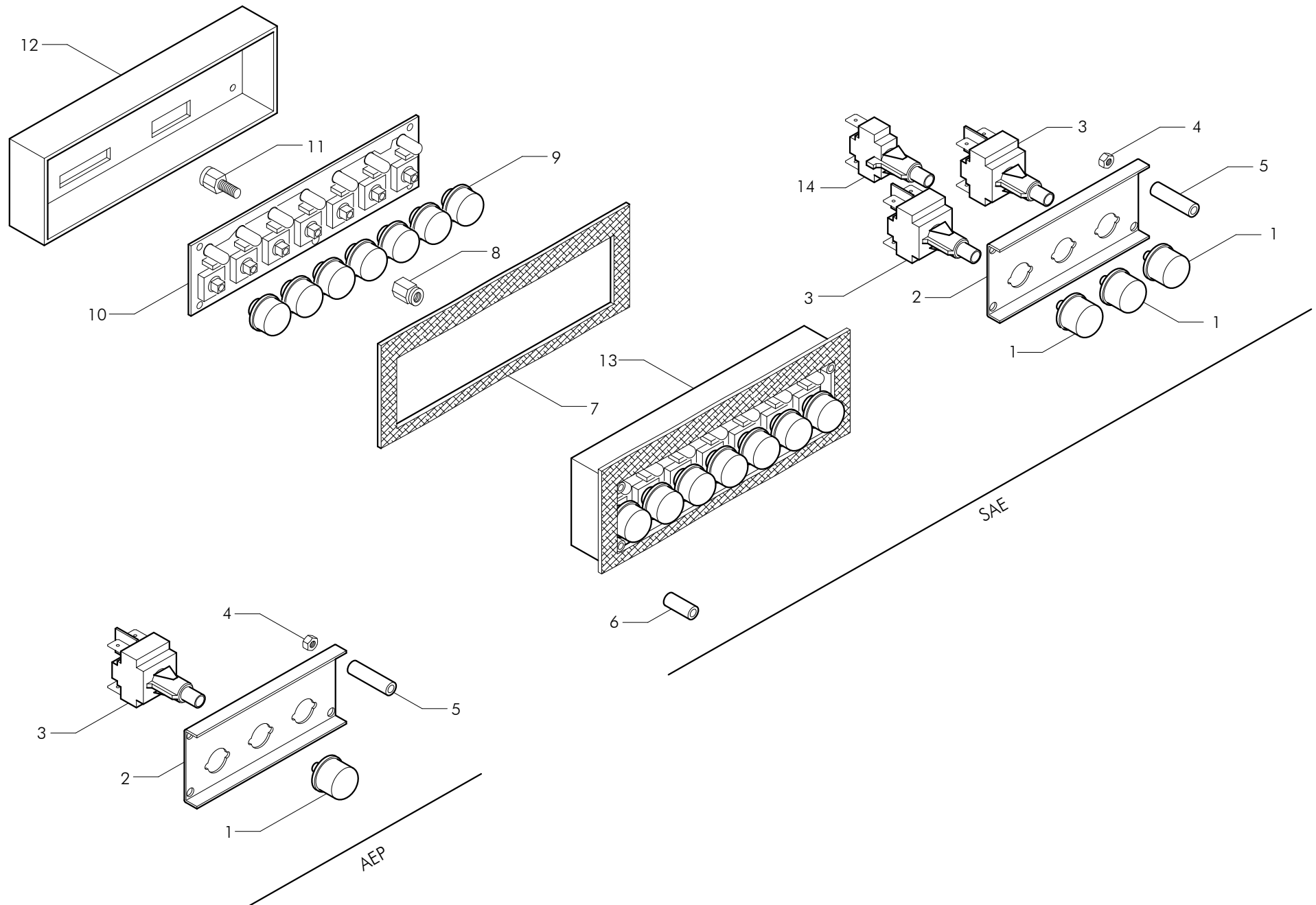
INOX - S.STEEL - INOX - STAHL

Pos	Code	Denominazione - IT -	Denomination - EN -	Denomination - FR -	Denomination - DE -
28	83770217R	KIT BASAMENTO 1GR DS INGLESE INOX	ASSEMBLY BASE SURROUND 1GR DS ENGLISH	ENSEMBLE PROFIL BASE 1GR DS ANGLAIS	GRUNDPROFIL 1GR DS ENGLISCH STAHL
28	83770219R	KIT BASAMENTO 1GR DS TEDESCO INOX	ASSEMBLY BASE SURROUND 1GR DS GERMAN	ENSEMBLE PROFIL BASE 1GR DS ALLEMANDE	GRUNDPROFIL 1GR DS DEUTSCH STAHL
28	83770221R	KIT BASAMENTO 2GR DS INGLESE INOX	ASSEMBLY BASE SURROUND 2GR DS ENGLISH	ENSEMBLE PROFIL BASE 2GR DS ANGLAIS	GRUNDPROFIL 2GR DS ENGLISCH STAHL
28	83770223R	KIT BASAMENTO 2GR DS TEDESCO INOX	ASSEMBLY BASE SURROUND 2GR DS GERMAN	ENSEMBLE PROFIL BASE 2GR DS ALLEMANDE	GRUNDPROFIL 2GR DS DEUTSCH STAHL
28	83770225R	KIT BASAMENTO 3GR DS INGLESE INOX	ASSEMBLY BASE SURROUND 3GR DS ENGLISH	ENSEMBLE PROFIL BASE 3GR DS ANGLAIS	GRUNDPROFIL 3GR DS ENGLISCH STAHL
28	83770227R	KIT BASAMENTO 3GR DS TEDESCO INOX	ASSEMBLY BASE SURROUND 3GR DS GERMAN	ENSEMBLE PROFIL BASE 3GR DS ALLEMANDE	GRUNDPROFIL 3GR DS DEUTSCH STAHL
29	77741	GUIDA DESTRA-SINISTRA BACINELLA	R-L BASIN GUIDE FOR FRAMES	GUIDE DX-SX CUVE x CHASSIS	FUHRUNG RECHTS-LINKS SCHALE FUR RAH
30	77742005	DISTANZIALE GUIDA BACINELLA	SPACER GLOSSY	ENTRETOISE CUVE	DISTANZSTUCK
31	77607020	SUPPORTO DESTRO-SINISTRO FIANCO	RIGHT-LEFT SUPPORT	SUPPORT DROIT-GAUCHE	RECHTS/LINKS HALTER
32	15318002	PIEDINO REGOLABILE INOX/SAT	ADJUSTABLE FOOT	PIED REGLABLE	REGELBARER FUSS
33	15373070	TAPPO ABS CROMATO FORO GAS	CHROMED CAP	BOUCHON CHROME COUVRE-TROU DU GAZ	CHROM CAP
34	76149054	GRIGLIA RIALZO TAZZE 1/2GR	CUPS-STAND FOR RAISED GROUP 1/2GR	GRILLE SUPERIEURE 1/2GR	GITTER FUER HOHE GRUPPE 1/2GR
35	78150060	SUPPORTO MANOMETRO 1>4GR	GAUGE SUPPORT 1>4GR	SUPPORT MANOMETRE 1>4GR	MANOMETERHALTER 1>4GR
36	4621109	MANOMETRO QUADRO DOPPIA SCALA CW510L	SQUARE GAUGE DOUBLE L. SCALE	MANOMETRE TABLEAU DOUBLE ECHELLE L.	MANOMETERTAFEL DOPPELSKAL
37	56901256	FRONTONE ASS.AEP/1 INOX	ASSEMBLY FRONT PANEL AEP/1 S.STEEL	ENSEMBLE PANNEAU FRONTAL AEP/1 INOX	STIRNTAFEL AEP/1 STAHL GRUPPE
37	56901264	FRONTONE ASS.AEP/2 INOX	ASSEMBLY FRONT PANEL AEP/2 S.STEEL	ENSEMBLE PANNEAU FRONTAL AEP/2 INOX	STIRNTAFEL AEP/2 STAHL GRUPPE
37	56901278	FRONTONE ASS.AEP/3 INOX	ASSEMBLY FRONT PANEL AEP/3 S.STEEL	ENSEMBLE PANNEAU FRONTAL AEP/3 INOX	STIRNTAFEL AEP/3 STAHL GRUPPE
37	56901286	FRONTONE ASS.AEP/4 INOX	ASSEMBLY FRONT PANEL AEP/4 S.STEEL	ENSEMBLE PANNEAU FRONTAL AEP/4 INOX	STIRNTAFEL AEP/4 STAHL GRUPPE
37	56901248	FRONTONE ASS.AEP/J INOX	ASSEMBLY FRONT PANEL AEP/J S.STEEL	ENSEMBLE PANNEAU FRONTAL AEP/J INOX	STIRNTAFEL AEP/J STAHL GRUPPE
38	56901260	FRONTONE ASS.SAE/1 6T INOX	ASSEMBLY FRONT PANEL SAE/1 6T S.STEEL	ENSEMBLE PANNEAU FRONTAL SAE/1 6T INOX	STIRNTAFEL SAE/1 6T STAHL GRUPPE
38	56901268	FRONTONE ASS.SAE/2 6T INOX	ASSEMBLY FRONT PANEL SAE/2 6T S.STEEL	ENSEMBLE PANNEAU FRONTAL SAE/2 6T INOX	STIRNTAFEL SAE/2 6T STAHL GRUPPE
38	56901282	FRONTONE ASS.SAE/3 6T INOX	ASSEMBLY FRONT PANEL SAE/3 6T S.STEEL	ENSEMBLE PANNEAU FRONTAL SAE/3 6T INOX	STIRNTAFEL SAE/3 6T STAHL GRUPPE
38	56901290	FRONTONE ASS.SAE/4 6T INOX	ASSEMBLY FRONT PANEL SAE/4 6T S.STEEL	ENSEMBLE PANNEAU FRONTAL SAE/4 6T INOX	STIRNTAFEL SAE/4 6T STAHL GRUPPE
38	56901252	FRONTONE ASS.SAE/J 6T INOX	ASSEMBLY FRONT PANEL SAE/J 6T S.STEEL	ENSEMBLE PANNEAU FRONTAL SAE/J 6T INOX	STIRNTAFEL SAE/J 6T STAHL GRUPPE
39	56901269	FRONTONE ASS.SAE/2+DISPLAY 6T INOX	ASSEMBLY FRONT PANEL DISPLAY 2 S.STEEL	ENSEMBLE PANNEAU FRONTAL DISPLAY 2 INOX	STIRNTAFEL DISPLAY 2 STAHL GRUPPE
39	56901283	FRONTONE ASS.SAE/3+DISPLAY 6T INOX	ASSEMBLY FRONT PANEL DISPLAY 3 S.STEEL	ENSEMBLE PANNEAU FRONTAL DISPLAY 3 INOX	STIRNTAFEL DISPLAY 3 STAHL GRUPPE
39	56901291	FRONTONE ASS.SAE/4+DISPLAY 6T INOX	ASSEMBLY FRONT PANEL DISPLAY 4 S.STEEL	ENSEMBLE PANNEAU FRONTAL DISPLAY 4 INOX	STIRNTAFEL DISPLAY 4 STAHL GRUPPE



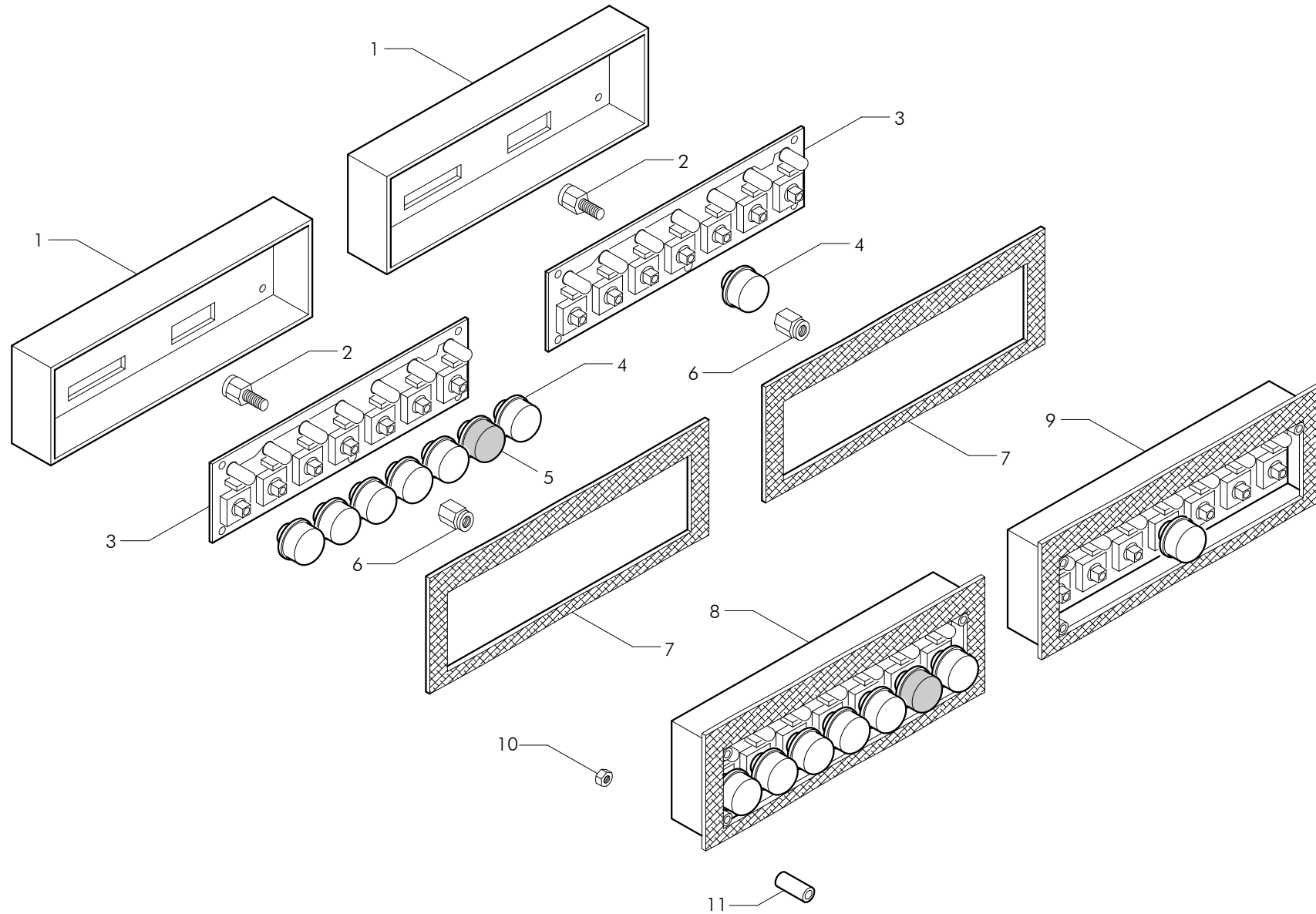
4 DOSI

Pos	Code	Denominazione - IT -	Denomination - EN -	Denomination - FR -	Denomination - DE -
1	15373067	TASTO PULSANTIERE MECCANICHE	BLACK CHROMED KEY	TOUCHE CHROMEE NOIR	SCHWARZ CHROM TASTE
2	77595000	PIASTRINA PORTA INTERRUTTORI	KEY SUPPORT	SUPPORT TOUCHE	TASTE SUPPORT
3	18371057	INTERRUTTORE BIPOLARE	TWO POLE SWITCH	INTERRUPTEUR BIPOLAIRE	ZWEIPOLIGER SCHALTER
4	23050	DADO OTTONE M3	BRASS NUT M3	ECROU LAITON M3	MESSING-MUTTER M3
5	15373106	DISTANZIALE PULSANTIERE 3T L.21	KEY SPACER 3T	ENTRETOISE TOUCHE 3T	DISTANZTASTE 3T
6	15373105	DISTANZIALE PULSANTIERE 7T	KEY SPACER 7T	ENTRETOISE TOUCHE 7T	DISTANZTASTE 7T
7	15182996	EPDM ESPANSO CN22 144x55x2	EPDM CN22 144x55x2	EPDM CN22 144x55x2	EPDM CN22 144x55x2
8	15373108	DISTANZIALE PULSANTIERE FEMMINA FEMMINA	KEY SPACER FEMALE-FEMALE	ENTRETOISE TOUCHE FEMALE-FEMALE	DISTANZTASTE
9	15373066	TASTO PULSANTIERE ELETTRONICHE NL NICHELAT	BLACK CHROMED KEY	TOUCHE CHROMEE NOIR	SCHWARZ CHROM TASTE
10	18371079	CIRCUITO STAMP.PULSANTIERA 7T	PRINTED CIRCUIT PUSH BUTTON 7T	CIRCUIT IMPRIME CLAVIER 7T	GEDRUCKTER SCHALTKREIS TASTATUREN 7T
11	15373107	DISTANZIATORE METRICO PULSANTIERE	KEY SPACER	ENTRETOISE TOUCHE	DISTANZTASTE
12	15373115	SCATOLA POSTERIORE PULSANTIERA	BOX PUSH BUTTON	BOITIER CLAVIER	GEHAUSE F.TASTENWAHLSCHALTER
13	83180020R	KIT PULSANTIERA SME LISA-R	TOUCHPAD KIT SME	ENSEMBLE CLAVIER SME	TASTATUREN SME GRUPPE
14	18371058	PULSANTE UNIPOLARE	SINGLE POLE PUSHBUTTON	BOUTON-POUSSOIR UNIPOLAIRE	EINPOLIGER TASTER



6 DOSI

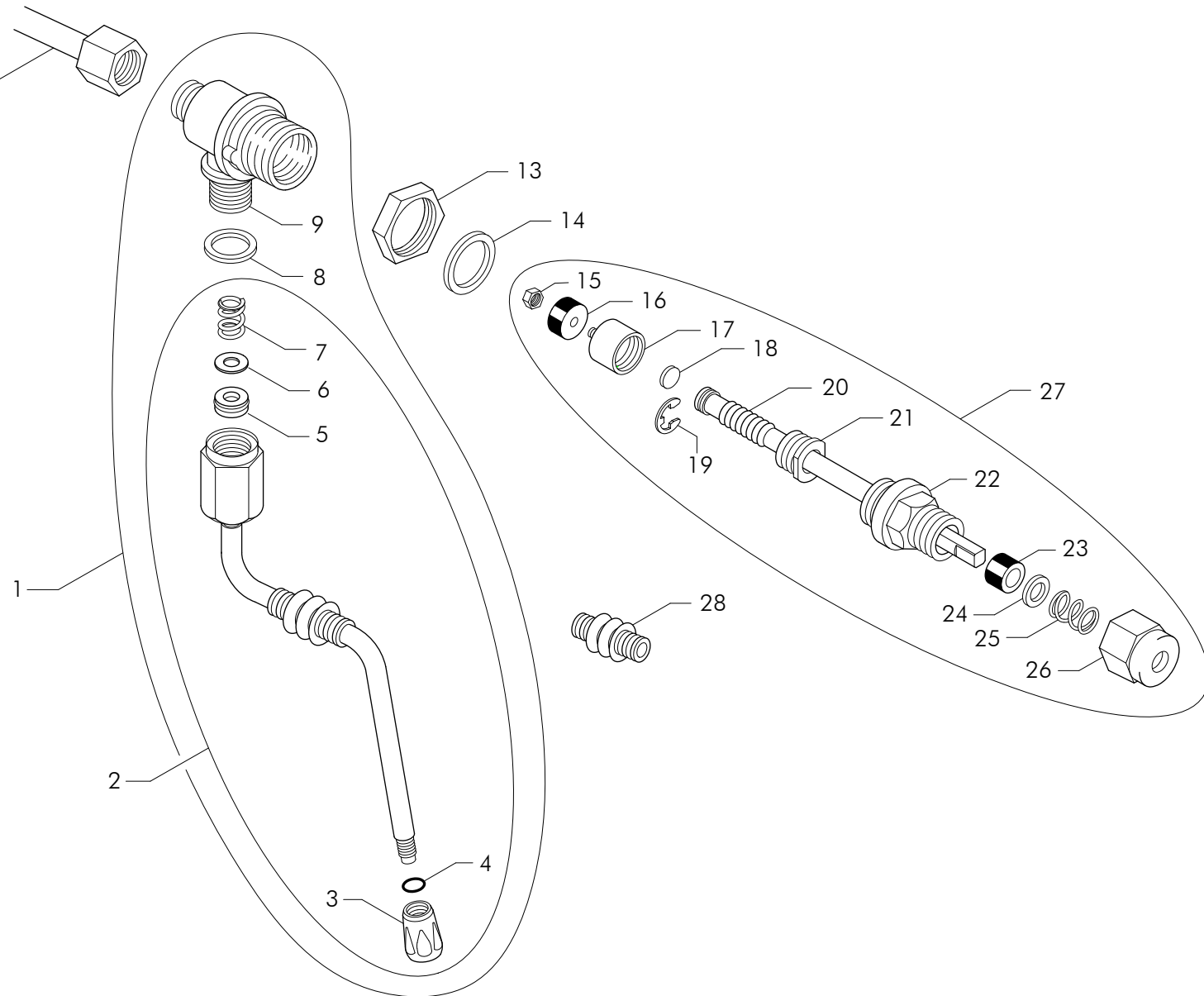
Pos	Code	Denominazione - IT -	Denomination - EN -	Denomination - FR -	Denomination - DE -
1	15373067	TASTO PULSANTIERE MECCANICHE	BLACK CHROMED KEY	TOUCHE CHROMEE NOIR	SCHWARZ CHROM TASTE
2	77595000	PIASTRINA PORTA INTERRUTTORI	KEY SUPPORT	SUPPORT TOUCHE	TASTE SUPPORT
3	18371057	INTERRUTTORE BIPOLARE	TWO POLE SWITCH	INTERRUPTEUR BIPOLAIRE	ZWEIPOLIGER SCHALTER
4	23050	DADO OTTONE M3	BRASS NUT M3	ECROU LAITON M3	MESSING-MUTTER M3
5	15373106	DISTANZIALE PULSANTIERE 3T L.21	KEY SPACER 3T	ENTRETOISE TOUCHE 3T	DISTANZTASTE 3T
6	15373105	DISTANZIALE PULSANTIERE 7T	KEY SPACER 7T	ENTRETOISE TOUCHE 7T	DISTANZTASTE 7T
7	15182996	EPDM ESPANSO CN22 144x55x2	EPDM CN22 144x55x2	EPDM CN22 144x55x2	EPDM CN22 144x55x2
8	15373108	DISTANZIALE PULSANTIERE FEMMINA FEMMINA	KEY SPACER FEMALE-FEMALE	ENTRETOISE TOUCHE FEMALE-FEMALE	DISTANZTASTE
9	15373066	TASTO PULSANTIERE ELETTRONICHE NL NICHELAT	BLACK CHROMED KEY	TOUCHE CHROMEE NOIR	SCHWARZ CHROM TASTE
10	18371079	CIRCUITO STAMP.PULSANTIERA 7T	PRINTED CIRCUIT PUSH BUTTON 7T	CIRCUIT IMPRIME CLAVIER 7T	GEDRUCKTER SCHALTKREIS TASTATUREN 7T
11	15373107	DISTANZIATORE METRICO PULSANTIERE	KEY SPACER	ENTRETOISE TOUCHE	DISTANZTASTE
12	15373115	SCATOLA POSTERIORE PULSANTIERA	BOX PUSH BUTTON	BOITIER CLAVIER	GEHAUSE F.TASTENWAHLSCHALTER
13	83180021R	KIT PULSANTIERA SME LISA-R	TOUCHPAD KIT SME	ENSEMBLE CLAVIER SME	TASTATUREN SME GRUPPE
14	18371058	PULSANTE UNIPOLARE	SINGLE POLE PUSHBUTTON	BOUTON-POUSSOIR UNIPOLAIRE	EINPOLIGER TASTER



ASD + DS

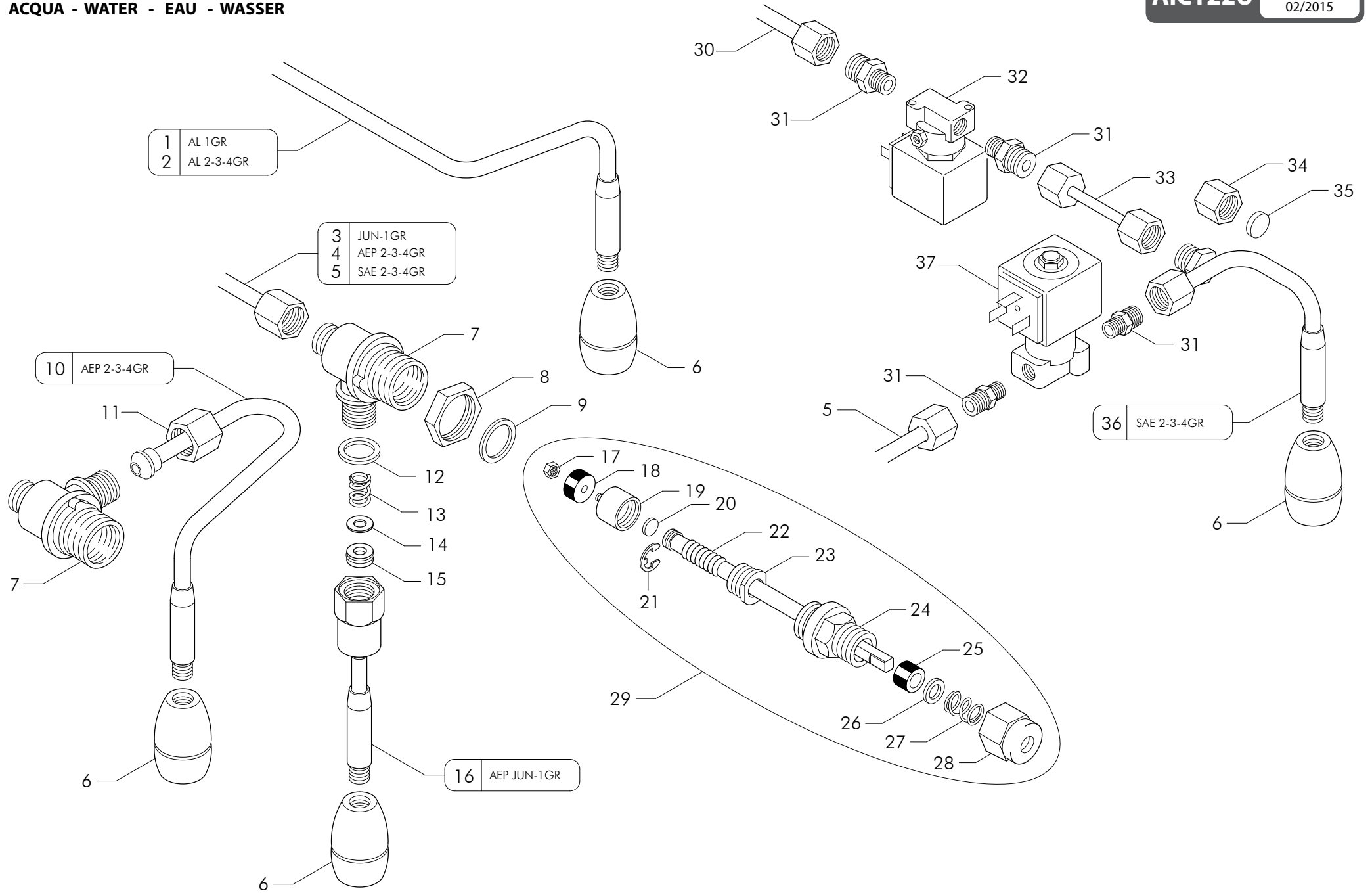
Pos	Code	Denominazione - IT -	Denomination - EN -	Denomination - FR -	Denomination - DE -
1	15373115	SCATOLA POSTERIORE PULSANTIERA	BOX PUSH BUTTON	BOITIER CLAVIER	GEHAUSE F.TASTENWAHLSCHALTER
2	15373107	DISTANZIATORE METRICO PULSANTIERE	KEY SPACER	ENTRETOISE TOUCHE	DISTANZTASTE
3	18371079	CIRCUITO STAMP.PULSANTIERA 7T	PRINTED CIRCUIT PUSH BUTTON 7T	CIRCUIT IMPRIME CLAVIER 7T	GEDRUCKTER SCHALTKREIS TASTATUREN 7T
4	15373066	TASTO PULSANTIERE ELETTRONICHE NL NICHELAT	BLACK CHROMED KEY	TOUCHE CHROMEE NOIR	SCHWARZ CHROM TASTE
5	15373064	TASTO PULSANTIERE ELETTRONICHE GLORIA DORA	GOLDEN KEY	TOUCHE DORE	VERGOLDET TASTE
6	15373108	DISTANZIALE PULSANTIERE FEMMINA FEMMINA	KEY SPACER FEMALE-FEMALE	ENTRETOISE TOUCHE FEMALE-FEMALE	DISTANZTASTE
7	15182996	EPDM ESPANSO CN22 144x55x2	EPDM CN22 144x55x2	EPDM CN22 144x55x2	EPDM CN22 144x55x2
8	83180023R	KIT PULSANTIERA LATTE MACCHIATO	TOUCHPAD KIT LATTE MACCHIATO	ENSEMBLE CLAVIER LATTE MACCHIATO	TASTATUREN GRUPPE LATTE MACCHIATO
9	83180022R	KIT PULSANTIERA AUTOSTEAMER	TOUCHPAD KIT AUTOSTEAMER	ENSEMBLE CLAVIER AUTOSTEAMER	TASTATUREN GRUPPE AUTOSTEAMER
10	23050	DADO OTTONE M3	BRASS NUT M3	ECROU LAITON M3	MESSING-MUTTER M3
11	15373105	DISTANZIALE PULSANTIERE 7T	KEY SPACER 7T	ENTRETOISE TOUCHE 7T	DISTANZTASTE 7T

10	JUN-1GR
11	2-3-4GR DESTRO-RIGHT
12	SINISTRO-LEFT

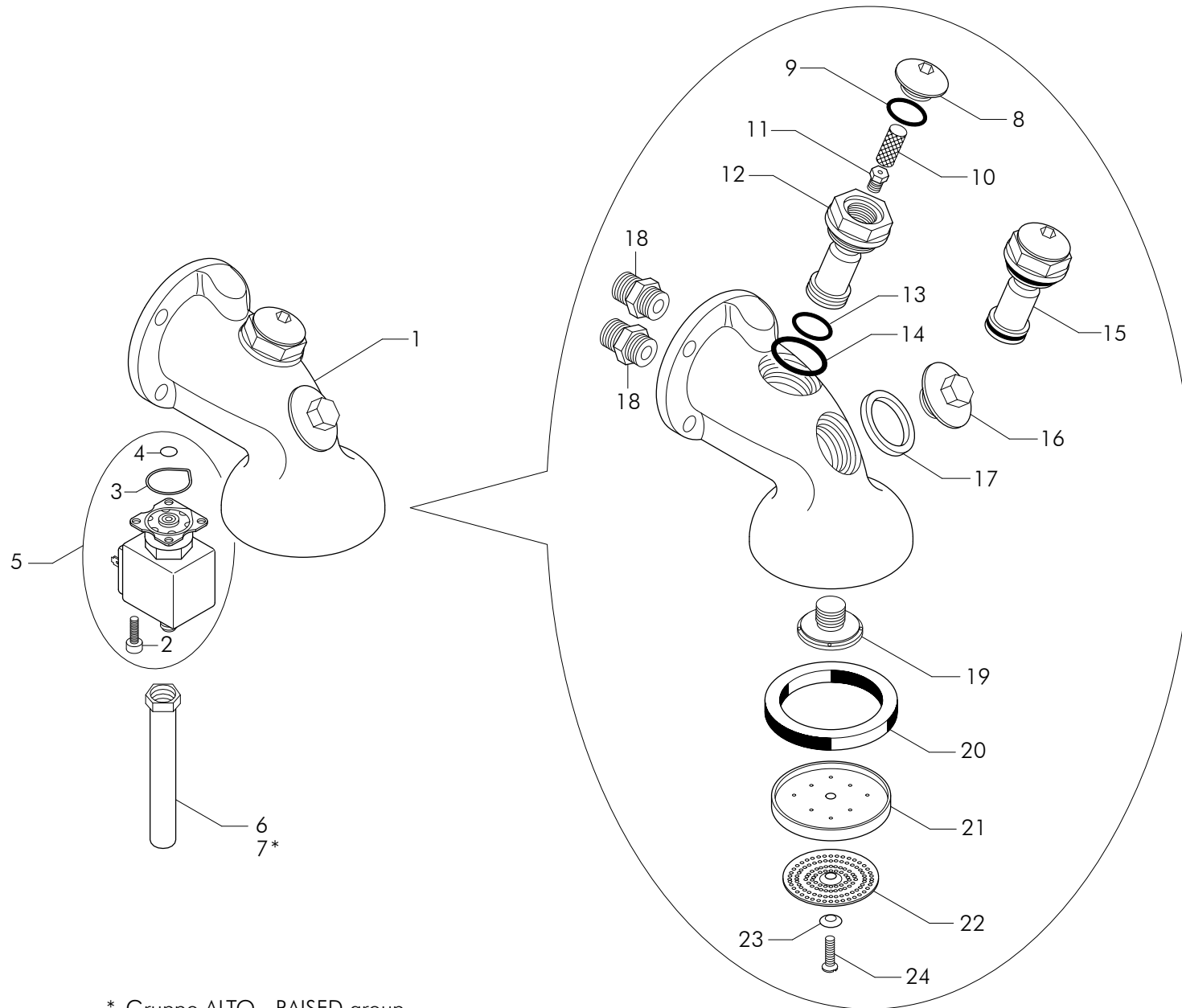


VAPORE - STEAM - VAPEUR - DAMPF

Pos	Code	Denominazione - IT -	Denomination - EN -	Denomination - FR -	Denomination - DE -
1	4625763354	TUBO VAPORE INOX D.8 GL/AI 90? + CORPO CW5	STEAM PIPE ASSEMBLY D.8	TUYAU VAPEUR D.8	DAMPFROHRSATZ D-8
2	25763116	TUBO VAPORE INOX D.8 GL/AI 90?	STEAM PIPE ASSEMBLY D.8	TUYAU VAPEUR D.8	DAMPFROHRSATZ D-8
3	25763080	SPRUZZATORE VAPORE 4 FORI TUBO D.8	STEEL STEAM SPRAYER	VAPORISATEUR INOX	STAHLDAMPFER
4	12662000	GUARNIZIONE SPRUZZATORE	GASKET OR	JOINT OR	DICHTUNG OR
5	12661	GUARNIZIONE OR CON LUNETTA P.MOLLA	OR REST FOR ST.STEEL STEAM PIPE	OR LUNETTE P.RESSORT TUYAU VAP. INOX	HALBE OR-DICHT.F.FEDER DAMPFROHR ED
6	23260018	RONDELLA ELASTICA D-14,2 Sp.1	WASHER D-14,2	RONDELLE D-14,2	SCHEIBE D-14,2
7	10465001	MOLLA De 11,4 Df1,7 AISI 302	STEAM SPRING S.STEEL	RESSORT AISI	DAMPF HAHNFEDEN STAHL
8	12010	GUARNIZIONE TEFLON ACQUA/VAPORE 20x17x2	PIPE GASKET TEFLON 20x17x2	JOINT TUYAU TEFLON EAU/VAP TEFLON	TEFLON-DICHTUNG WASSER/VAP 20x17x2
9	4653003	CORPO RUBINETTO CW510L	TAP BODY CW510L	CORPS DE ROBINET CW510L	HAHNKORPER CW510L
10	4652000792	TUBO D-8 L.330	TUBE D-8 L.330	TUYAU D-8 L.330	ROHR D-8 L.300
11	4652000407	TUBO D-10 L.290	TUBE D-10 L.280	TUYAU D-10 L.280	ROHR D-10 L.280
12	4652000406	TUBO D-10 L.310	TUBE D-10 L.310	TUYAU D-10 L.310	ROHR D-10 L.310
13	25384	DADO OTTONE M26x1.5	BRASS NUT 26X1.5	ECROU LAITON 26X1.5	MESSING-MUTTER 26X1.5
14	12158	GUARNIZIONE 26x20.5x2	GASKET 26x20.5x2	JOINT 26x20.5x2	DICHTUNG 26x20.5x2
15	23029	DADO INOX M3 UNI 5587 A2	STEEL NUT M3	ECROU INOX M3	STHAL MUTTER M3
16	12203	GUARNIZIONE HNBR 15x4x4	RUBBER GASKET 15x4x4	JOINT EN CAOUTCHOUC 15X4X4	GUMMIDICHTUNG 15x4x4
17	4625616	PISTONCINO RUBINETTO	TAP JUMPER	PISTON ROBINET	HAHNKOLBEN
18	25655052	DISCHETTO ASTA RUBINETTO	DISKETTE TAP ROS	DISQUETTE TIGE ROBINET	DISKETTE
19	10001	ANELLO ARRESTO D6 INOX	STEEL CIRCLIP	CIRCLIP INOX	STAHLHALTENRING
20	4625312	ASTA RUBINETTO CROMATA L139 CW510L/Cr	CHROMED TAP SHAFT	TIGE ROBINET CHROME	HAHNSTANGE CHROM
21	4625461	GHIERA RUBINETTO CW510L	TAP RING NUT CW510L	EMBOUT ROBINET CW510L	HAHNZWINGE CW510L
22	4625678001	RACCORDO RUBINETTO CW510L	TAP FITTING CW510L	RACCORD ROBINET CW510L	HAHNANSCHLUSSTUCK CW510L
23	12204	GUARNIZIONE GOMMA RUBINETTO 12.5x7.5x9	TAP RUBBER GASKET 12.5x7.5x9	JOINT CAOUTCHOUC ROB. 12.5X7.5X9	HAHNDICHTUNG 12.5x7.5x9
24	4625655	RONDELLA RUBINETTO CW510L	TAP WASHER	RONDELLE ROBINET	HAHNSCHEIBE
25	10452	MOLLA RUBINETTO ACQUA/VAPORE N4	WATER/STEAM TAP SPRING N4	RESSORT DE ROBINET EAU-VAPEUR N4	WASSER/DAMPF HAHNFEDER N4
26	4625385001	DADO PREMISTOPPA RUBINETTO CW510L + RONDE	TAP STUFFING NUT	ECROU DE PRESSE-ETOUPE ROBINET	STOPFBUCHSE MUTTER - HAHN
27	46561041	ASSIEME RUBINETTO ACQUA/VAPORE CW510L/Cr	WATER/STEAM TAP UNIT	ENSEMBLE ROBINET EAU/VAPEUR	WASSER/DAMPF ROHRSATZ
28	15296000	GOMMINO ANTISCOTTATURA D-8	ANTI-BURNING RUBBER D-8	ELEMENT ANTI-BRULURE D-8	GUMMI GEGEN VERBRENNUNGEN F. D-8

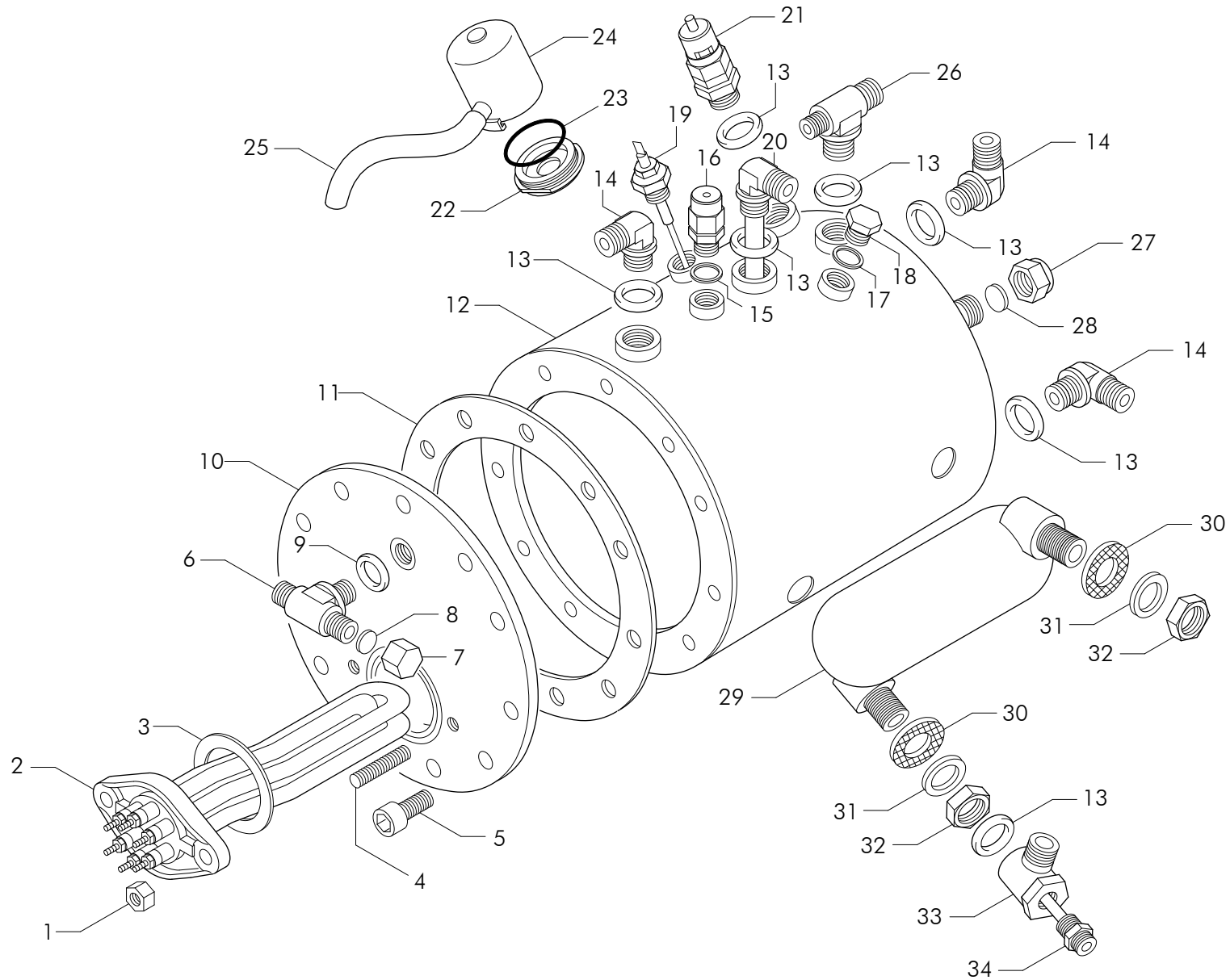


Pos	Code	Denominazione - IT -	Denomination - EN -	Denomination - FR -	Denomination - DE -
1	4652000450	TUBO D-8 L.390	TUBE D-8 L.390	TUYAU D-8 L.390	ROHR D-8 L.390
2	4652000444	TUBO D-8 L.300	TUBE D-8 L.300	TUYAU D-8 L.300	ROHR D-8 L.300
3	4652000791	TUBO D-8 L.215	TUBE D-8 L.215	TUYAU D-8 L.215	ROHR D-8 L.215
4	4652000408	TUBO D-8 L.300	TUBE D-8 L.300	TUYAU D-8 L.300	ROHR D-8 L.300
5	4652000409	TUBO D-8 L.265	TUBE D-8 L.265	TUYAU D-8 L.265	ROHR D-8 L.265
6	25763002	SPRUZZATORE ACQUA INOX FISSO	S.STEEL WATER NOZZLE	ATOMISEUR D' EAU INOX	WASSERDAMPFER
7	4653003	CORPO RUBINETTO CW510L	TAP BODY CW510L	CORPS DE ROBINET CW510L	HAHNKORPER CW510L
8	25384	DADO OTTONE M26x1.5	BRASS NUT 26X1.5	ECROU LAITON 26X1.5	MESSING-MUTTER 26X1.5
9	12158	GUARNIZIONE 26x20.5x2	GASKET 26x20.5x2	JOINT 26x20.5x2	DICHTUNG 26x20.5x2
10	4656119072	ASSIEME TUBO H2O FISSA GL127 CW510L/Cr	WATER PIPE GL125/A	TUYAU EAU GL125/A	ROHR WASSER GL125/A
11	25387	DADO 3/8 FORO 12.5	3/8 NUT 12.5 HOLE	ECROU 3/8 TROU 12.5	MUTTER3/8 LOCH 12.5
12	12010	GUARNIZIONE TEFLON ACQUA/VAPORE 20x17x2	PIPE GASKET TEFLON 20x17x2	JOINT TUYAU TEFLON EAU/VAP TEFLON	TEFLON-DICHTUNG WASSER/VAP 20x17x2
13	10465	MOLLA De 11,5 Df1,5 AISI 302 DV/SP	STAINLESS ST.STEAM PIPE SPRING	RESSORT TUYAU VAP. INOX D.10	FEDER DAMPFROHR EDELSTAHL D. 10
14	23260018	RONDELLA ELASTICA D-14,2 Sp.1	WASHER D-14,2	RONDELLE D-14,2	SCHEIBE D-14,2
15	12661	GUARNIZIONE OR CON LUNETTA P.MOLLA	OR REST FOR ST.STEEL STEAM PIPE	OR LUNETTE P.RESSORT TUYAU VAP. INOX	HALBE OR-DICHT.F.FEDER DAMPFROHR ED
16	4652000421	TUBO D-8 L.45	TUBE D-8 L.45	TUYAU D-8 L.45	ROHR D-8 L.45
17	23029	DADO INOX M3 UNI 5587 A2	STEEL NUT M3	ECROU INOX M3	STHAL MUTTER M3
18	12203	GUARNIZIONE HNBR 15x4x4	RUBBER GASKET 15x4x4	JOINT EN CAOUTCHOUC 15X4X4	GUMMIDICHTUNG 15x4x4
19	4625616	PISTONCINO RUBINETTO	TAP JUMPER	PISTON ROBINET	HAHNKOLBEN
20	25655052	DISCHETTO ASTA RUBINETTO	DISKETTE TAP ROS	DISQUETTE TIGE ROBINET	DISKETTE
21	10001	ANELLO ARRESTO D6 INOX	STEEL CIRCLIP	CIRCLIP INOX	STAHLHALTENRING
22	4625312	ASTA RUBINETTO CROMATA L139 CW510L/Cr	CHROMED TAP SHAFT	TIGE ROBINET CHROME	HAHNSTANGE CHROM
23	4625461	GHIERA RUBINETTO CW510L	TAP RING NUT CW510L	EMBOUT ROBINET CW510L	HAHNZWINGE CW510L
24	4625678001	RACCORDO RUBINETTO CW510L	TAP FITTING CW510L	RACCORD ROBINET CW510L	HAHNANSCHLUSSTUCK CW510L
25	12204	GUARNIZIONE GOMMA RUBINETTO 12.5x7.5x9	TAP RUBBER GASKET 12.5x7.5x9	JOINT CAOUTCHOUC ROB. 12.5X7.5X9	HAHNDICHTUNG 12.5x7.5x9
26	4625655	RONDELLA RUBINETTO CW510L	TAP WASHER	RONDELLE ROBINET	HAHNSCHEIBE
27	10452	MOLLA RUBINETTO ACQUA/VAPORE N4	WATER/STEAM TAP SPRING N4	RESSORT DE ROBINET EAU-VAPEUR N4	WASSER/DAMPF HAHNFEDER N4
28	4625385001	DADO PREMISTOPPA RUBINETTO CW510L + RONDE	TAP STUFFING NUT	ECROU DE PRESSE-ETOUE ROBINET	STOPFBUCHSE MUTTER - HAHN
29	46561041	ASSIEME RUBINETTO ACQUA/VAPORE CW510L/Cr	WATER/STEAM TAP UNIT	ENSEMBLE ROBINET EAU/VAPEUR	WASSER/DAMPF ROHRSATZ
30	4652001597	TUBO D-6 L.390	TUBE D-6 L.390	TUYAU D-6 L.390	ROHR D-6 L.390
31	4625707	RACCORDO 1/8x1/4 CW510L	CONNECTOR 1/8x1/4 CW510L	RACCORD 1/8x1/4 CW510L	ANSCHLUSS 1/8x1/4 CW510L
32	4618161700	ELETTROV.REGOL.PORTATA 110-120V/50-60Hz	SOL.VALVE 110-120V/50-60HZ CW510L	ELECTROVANNE 110-120V/50-60HZ CW510L	MAGNETVENTIL 110-120V-50-60HZ CW510L
32	4618161701	ELETTROVALVOLA REGOLAZ.PORTATA 220-240V/50	SOL.VALVE 220-240V/50-60HZ	ELECTROVANNE 220-240V/50-60HZ	MAGNETVENTIL 220-240V/50-60HZ
33	4652001598	TUBO D-6 L.195	TUBE D-6 L.195	TUYAU D-6 L.195	ROHR D-6 L.195
33	4652001615	TUBO D-6 L.435	TUBE D-6 L.435	TUYAU D-6 L.435	ROHR D-6 L.435
34	25782	TAPPO FEMMINA 1/4 GAS	1/4 GAS FEMALE TAP	BOUCHON FEMELLE 1/4 GAZ	INNENANSCHLUSSSTOPSEL 1/4 GAS
35	12007	GUARNIZIONE KLINGERSIL4400	KLINGERSIL4400 SEAL	JOINT KLINGERSIL4400	DICHTUNG KLINGER SIL4400
36	4656119071	ASSIEME TUBO H2O FISSA GL 125/A	WATER PIPE GL125/A	TUYAU EAU GL125/A	ROHR WASSER GL125/A
37	4618162004	ELETTROVALVOLA AEA 220-240V 50-60Hz NSF	SOL.VALVE WATER REFILL 220/240 50/60HZ	ELECTROVANNE REA 220/240V 50/60HZ	ELEKTROVENTIL AWZ 230/250 V 50/60 Hz
37	4618195	ELETTROVALVOLA AEA 110-120V 50-60Hz NSF	SOL.VALVE WATER REFILL 110/120V 50/60HZ	ELECTROVANNE REA 110/120V 50/60HZ NSF	ELEKTROVENTIL AWZ 110/120V 50/60HZ NSF



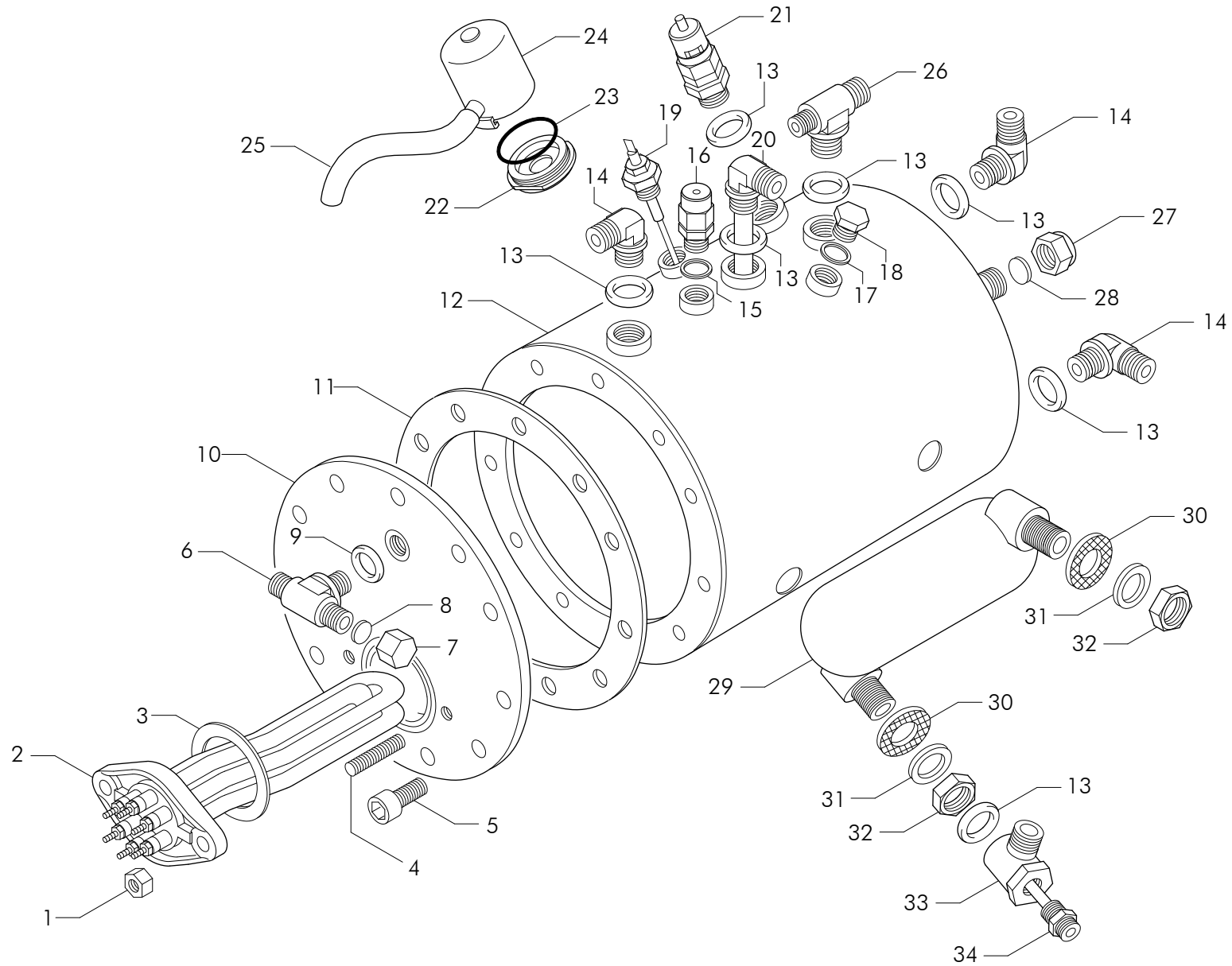
* Gruppo ALTO - RAISED group

Pos	Code	Denominazione - IT -	Denomination - EN -	Denomination - FR -	Denomination - DE -
1	4656082106	GRUPPO CTS 2003 CW510L/Cr NEUTRO	NEUTRAL CTS GROUP 2003	GROUPE CTS 2003 NEUTRE	GRUPPE CTS 2003 NEUTRAL
2	23563	VITE TCEI 4x6	SCREW TCEI 4x6	VIS TCEI 4x6	SCHRAUBE TCEI 4x6
3	12299001	GUARNIZIONE VERDE A GOCCIA	GASKET	JOINT	DICHTUNG
4	12299002	GUARNIZIONE ROSSA PICCOLA	RED GASKET	JOINT ROUGE	DICHTUNG ROT
5	834718181015R	KIT ELETTROVALVOLA GRUPPO 110-120V NSF	KIT GROUP SOLENOID VALVE 110-120V NSF	KIT ELECTROVANNE GROUPE 110-120V NSF	KIT MAGNETVENTIL GRUPPE 110-120V NSF
5	834718181016R	KIT ELETTROVALVOLA GRUPPO 208-240V NSF	KIT GROUP SOLENOID VALVE 208-240V NSF	KIT ELECTROVANNE GROUPE 208-240V NSF	KIT MAGNETVENTIL GRUPPE 208-240V NSF
6	52000168	TUBO D-12 L.92	TUBE D-12 L.92	TUYAU D-12 L.92	ROHR D-12 L.92
7	52000194	TUBO D-12 L.132	TUBE D-12 L.132	TUYAU D-12 L.132	ROHR D-12 L.132
8	4625789306	TAPPO PORTA GIGLEUR GRUPPO CTS 03 CW510L	CAP GROUP JET	BOUCHON GIGLEUR	STOPFEN EINSPRITZDUSE
9	12336000	GUARNIZIONE ORM 0170-30 NBR Di17x3	GASKET ORM 0170-30 HNBR 70Sh	JOINT ORM 0170-30 HNBR 70Sh	DICHTUNG ORM 0170-30 HNBR 70Sh
10	10253	FILTRO GIGLER	JET FILTER	FILTRE GICLEUR	DUSE FILTER
11	4610300001	GIGLER x GRUPPO D 0.7 CW510L	BRASS GROUP JET D 0.7	GIGLEUR LAITON POUR GROUPE D 0.7	VERMESSINGTE GRUPPENDUSE D 0.7
12	4625739502	PORTAGIGLER GRUPPO CTS 03 CW510L	NOZZLE HOLDER GROUP CTS 03	PORTE-GICLEUR GROUPE CTS 03	DUSEHALTER GRUPPE CTS 03
13	12300026	GUARNIZIONE OR	O RING GASKET	JOINT OR	OR DICHTUNG
14	12336001	GUARNIZIONE NBR Di25x4	GASKET NBR Di 25x4	JOINT NBR Di 25x4	DICHTUNG NBR Di 25x4
15	4656130001	ASSIEME PORTAGIGLER GRUPPO CTS 03 CW510L	NOZZLE HOLDER GROUP CTS 03	PORTE-GICLEUR GROUPE CTS 03	DUSEHALTER GRUPPE CTS 03R
16	4625789305	TAPPO CAMERA PREINFUSIONE GRUPPO CTS 03 CW	CAP GROUP JET	BOUCHON GIGLEUR	STOPFEN EINSPRITZDUSE
17	12012006	GUARNIZIONE TEFLON 33x28x4 GRUPPO CTS 03	GASKET TEFLON 33x28x4 GROUP CTS 03	JOINT TEFLON 33x28x4 GROUPE CTS 03	TEFLON DICHTUNG 33x28x4 GRUPPE CTS 03
18	4625687002	RACCORDO 3/8x3/8 GAS GRP CTS 03 CW510L	CONNECTOR 3/8x3/8 CTS 03 UNIT	RACCORD 3/8x3/8 GR. CTS 03	ANSCHLUSS 3/8x3/8 CTS 03
19	4625422008	DIFFUSORE GRUPPO CTS 03	GROUP DIFFUSER	DIFFUSEUR GROUPE	GRUPPE VERTEILER
20	12215	GUARN.GOMMA S.COPPA 72x56x8.5 MAGGIOR.	LARGER SIZED FILTER SUPPORT RUBBER	JOINT CAOUTCHOU SOUCOUCPE 72x56x8.5	FILTERHALTER-GUMMIDICH. 72x56x8.5 GROSS
20	12217	GUARN.GOMMA S.COPPA 72x56x8 NORMALE	STANDARD SIZE FILTER SUPPORT GASKET	JOINT CAOUTCHOU SOUCOUCPE 72x56x8 N	FILTERHALTER-GUMMIDICH.72x56x8 NORMAL
21	4625627	PORTADOCETTA GRUPPO EROGAZIONE CW510L	WATER SPOUT UNIT SUPPORT	PORTE-DOUCHETTE GROUPE DISTRIBUTION	DUSCHTRAGER VERSORGUNGSEINHEIT
22	27100	DOCETTA GRUPPO	GROUP SHOWER PLATE	DOUCHETTE GROUPE	DUSCHE VERTEILEREINHEIT
23	23260014	RONDELLA INOX 12x5	INOX WASHER 12x5	RONDELLE INOX 12x5	STAHL SCHEIBE 12x5
24	23514	VITE TPS INOX 5x20 TAGLIO CACC.	5x20 STAINLESS STEEL FLATHEAD SCREW	VIS TPS INOX 5x20 DE TOURNEVIS	SCHRAUBE TPS rostfrei5x20 SCHRAUBEN



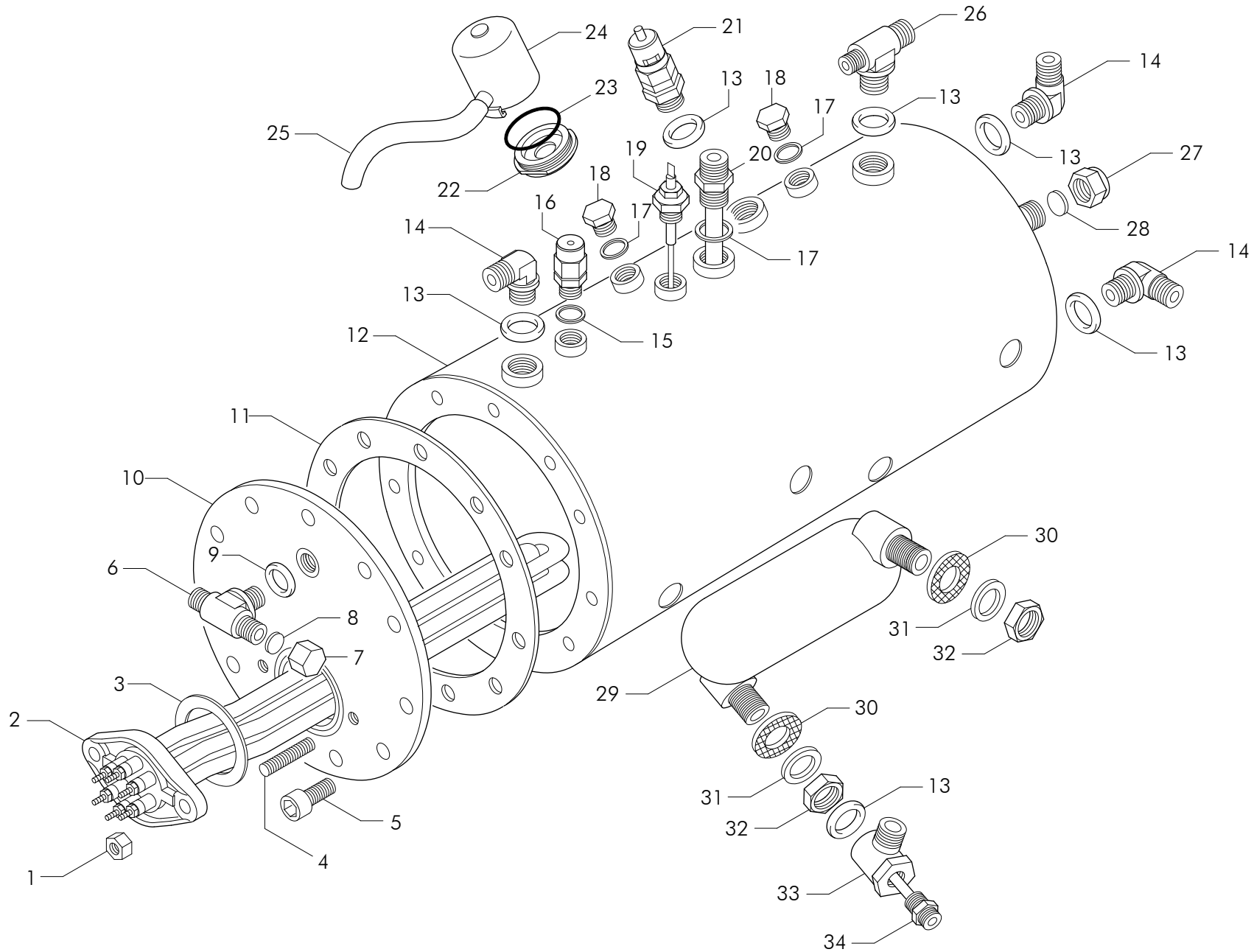
JUNIOR

Pos	Code	Denominazione - IT -	Denomination - EN -	Denomination - FR -	Denomination - DE -
1	23049	DADO OTTONE M8	BRASS NUT M8	ECROU LAITON M8	MESSING-SCHRAUBENMUTTER M8
2	4617000001	RESISTENZA 1GR 120V 1500W	HEAT.ELEMENT 120V 1500W	RESISTANCE 120V 150W ETL4	HEIZKORPER 1GR 120V 1500W
2	4617006	RESISTENZA 1GR 6P 230/240V 2000/2177W CW51	HEAT.ELEMENT 1GR 220/240 2000/2177W 6P	RESISTANCE 1GR 220/240 2000/2177W 6POLES	HEIZKORPER 1GR 220/240 2000/2177W
3	12001	GUARNIZIONE TEFLON 58x43x2	TEFLON GASKET 58x43x2	JOINT TEFLON 58x43x2	TEFLON DICHTUNG 58x23x2
4	23133	PRIGIONIERO INOX 8x40	STAINLESS STEEL BOLT 8x40	VIS INOX 8x40	STAHLSCHRAUBE 8x40 8x40
5	23556	VITE TCEI INOX 10x20	STEEL SCREW TCCE 10X20	VIS INOX TCCE 10X20	STAHLSCHRAUBE TCCE 10x20
6	4643060	RACCORDO -T- 1/4x1/4x1/4 CW510L	'T' CONNECTOR 1/4x1/4x1/4 CW510L	RACCORD 'T' 1/4x1/4x1/4 CW510L	T'-ANSCHLUSS 1/4X1/4X1/4 CW510L
7	25782	TAPPO FEMMINA 1/4 GAS	1/4 GAS FEMALE TAP	BOUCHON FEMELLE 1/4 GAZ	INNENANSCHLUSSSTOPSEL 1/4 GAS
8	12007	GUARNIZIONE KLINGERSIL4400	KLINGERSIL4400 SEAL	JOINT KLINGERSIL4400	DICHTUNG KLINGER SIL4400
9	12100	GUARNIZIONE CU/ALIM 1/4 18.7x13.2x2.5	CU GASKET 1/4 18.7X13.2X2.5	JOINT CU 1/4 18.7X13.2X2.5	CU DICHTUNG 1/4 18.7x13.2x2.5
10	4653011	FLANGIA NORMALE SENZA FORI CW510L	FLANGE WITHOUT HOLES CW510L	BRIDE SANS TROUS CW510L	NORMALER FLANSCH OHNE LOCHER CW510L
11	12003	GUARNIZIONE CALDAIA	BOILER GASKET	JOINT CHAUDIERE	KESSELDICHTUNG
12	4662020001	CALDAIA JUN CTS AEA 5LT CW510L	CTS AEA 5LT JUN BOILER	CHAUDIERE JUN CTS AEA 5L. F	HEIZKESSEL JUNIOR CTS AEA 5L
13	12101	GUARNIZIONE RAME 3/8 22x17x3	GASKET COPPER 3/8 22x17x3	JOINT CUIVRE 3/8 22x17x3	KUPFERDICHTUNG 3/8 22x17x3
14	4643052	RACCORDO "L" 3/8 CW510L	CONNECTOR 'L' 3/8	RACCORD 'L' 3/8	ANSCHLUSS 'L' 3/8
15	12153	GUARNIZIONE RAME 1/4 17x13.3x1.5	GASKET 1/4 17x13.3x1.5 COPPER	JOINT CUIVRE 1/4 17x13.3x1.5	KUPFERDICHTUNG 1/4 17x13.3x1.5
16	4656150	VALVOLA ANTIRISUCCHIO V.A.R. CW510L	ANTI-EDDY VALVE V.A.R. CW510L	SOUPAPE ANTI-DEPRESSION V.A.R. CW510L	VENTIL UNTERDRUCKFREI V.A.R. CW510L
17	12154	GUARNIZIONE CU 3/8 22x17x1.5	GASKET COPPER 3/8 22x17x1,5	JOINT CUIVRE 3/8 22x17x1.5	KUPFERDICHTUNG 3/8 22x17x1.5
18	4625785	TAPPO MASCHIO 3/8 CW510L	MALE CAP 3/8 CW210L	BOUCHON MALE 3/8 CW510L	STOPFEN 3/8 CW510L
19	4620251	SONDA LIVELLO CW510L	LEVEL PROBE	JAUG	PEGELFUHLER
20	4652000119	TUBO D-10 L.125 PESCANTE -L- A50/A	D-10 125 L PIPE CUPWARMER AT 50/A	TUYAU D-10 L.125 POUR ASPIRATION "L"	ROHR D.10 L.125 A 50/A
21	4620352001	VALVOLA SICUREZZA SIG.CMA 22PSI	SIG.SAFETY VALVE CW510L	VANNE DE SECURITE JOINT CW510L	SICHERHEITSVENTIL SIG. CW510L
22	15006001	FLANGIA VALVOLA SICUREZZA	FLANGE VALVE	JOINT VANNE	FLANSCH VENTIL
23	12300000	GUARNIZIONE OR	GASKET O RING	JOINT OR	OR DICHTUNG
24	56009980	ASSIEME PROTEZIONE VALVOLE SICUREZZA	UNIT PROTECTION VALVE	ENSEMBLE PROTECTION VANNE	SATZ-SCHUTZGITTER VENTIL
25	15478002	TUBO SILICONE 8x11 L.70cm	SILICONE TUBE 8x11 L.70cm	TUYAU SILICONE 8x11 L.70cm	SILIKONROHR 8x11 L.70cm
26	4643033	RACCORDO "T" 3/8x3/8x1/4 CW510L	3/8x3/8x1/4 T FITTING	RACCORD "T" 3/8x3/8x1/4	ANSCHLUSS 3/8x3/8x1/4 T
27	25781	TAPPO FEMMINA 3/8	FEMALE CAP 3/8	BOUCHON FEMELLE 3/8	STOPFEN 3/8
28	12402	GUARNIZIONE PASTICCA 15x3	GASKET 15x3	JOINT 15x3	DICHTUNG 15x3
29	4663201	SCAMBIATORE CIRC.TERMOSIFONICA JUNIOR CW51	JUNIOR EXCHANGER W/THERMOSIPH. CIRC	ECHANG.CIRCUL.A THERMOSI. JUNIOR	AUSTAUSCHER MIT R\205HREN JUNIOR
30	12005	GUARNIZIONE 28x17x2	GASKET 28X17X2	JOINT 28X17X2	DICHTUNG 28x17x2
31	25651	RONDELLA OTTONE 3/8	BRASS WASHER 3/8	RONDELLE LAITON 3/8	MESSINGSCHIEBE 3/8
32	25356	CONTRODADO OTTONE 3/8	BRASS LOCK NUT 3/8	CONTRE-ECROU LAITON 3/8	MESSING-GEGENMUTTER 3/8
33	4643030001	RACCORDO INIETTORE 3/8Fx3/8Mx14F CW510L	3/8Fx3/8Mx14F INJECTOR FITTING	RACC. INJECTEUR 3/8Fx3/8Mx14F	ANSCHLUSS EINSPRITZER 3/8Fx3/8Mx14F
34	4652002788	TUBO D-6 L.85	TUBE D6 L85	TUYAU D-6 L.85	ROHR D-6 L.85



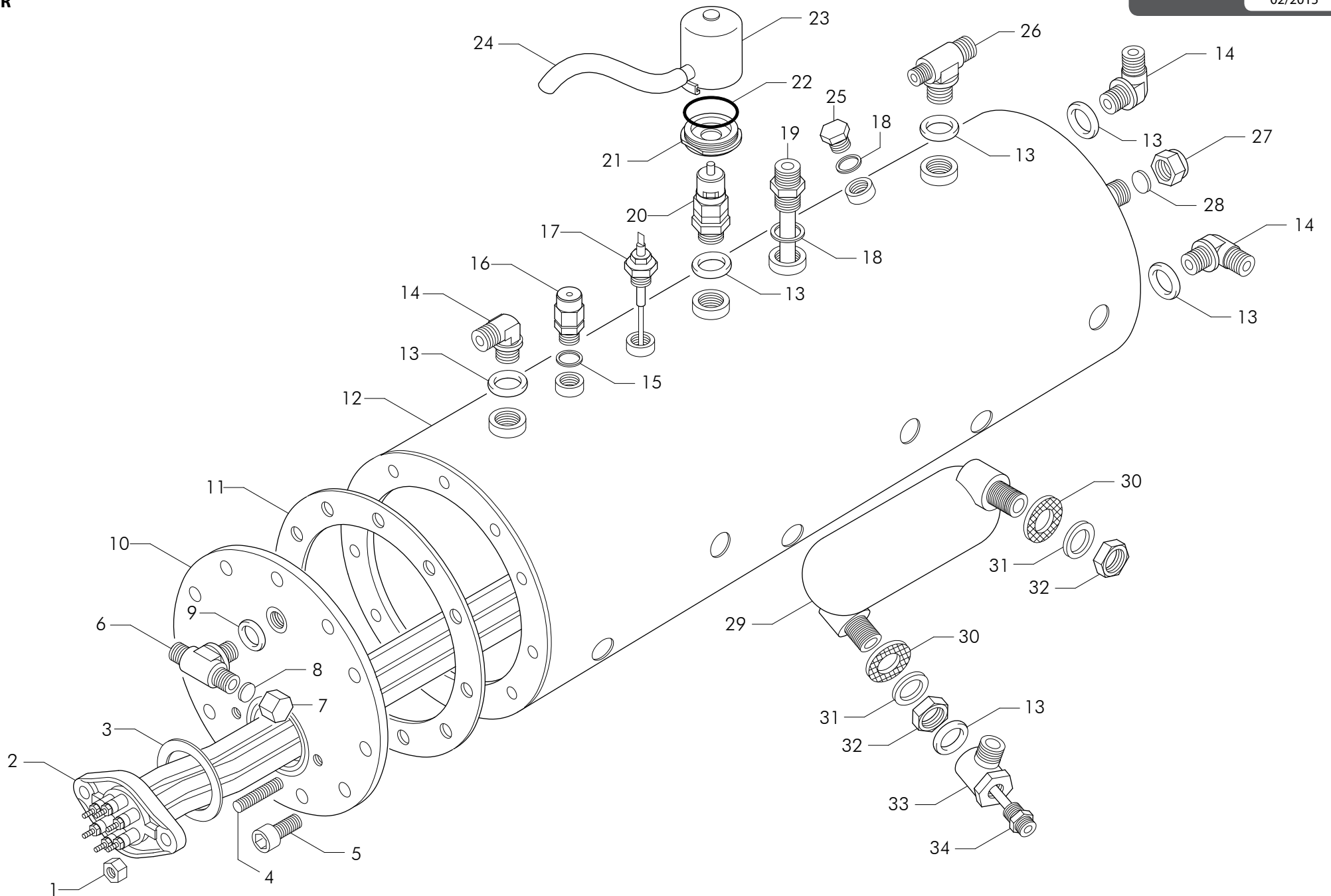
1GR

Pos	Code	Denominazione - IT -	Denomination - EN -	Denomination - FR -	Denomination - DE -
1	23049	DADO OTTONE M8	BRASS NUT M8	ECROU LAITON M8	MESSING-SCHRAUBENMUTTER M8
2	4617001	RESISTENZA 1GR 4P 120V 2000W CW510L	HEATING ELEMENT 1GR 110V-2000W	RESISTANCE ELECTRIQUE 1GR 110V2000W	HEIZKORPER 1 GR 110V 2000W
2	4617012	RESISTENZA 1GR 6P 230/240V 2700/2940W CW51	HEATING ELEM.1GR 230/240V 2700/2940W	RESISTANCE 1GR 230/240V 2700/2940W	HEIZKORPER 1GR 230/240V 2700/2940W
3	12001	GUARNIZIONE TEFLON 58x43x2	TEFLON GASKET 58x43x2	JOINT TEFLON 58x43x2	TEFLON DICHTUNG 58x23x2
4	23133	PRIGIONIERO INOX 8x40	STAINLESS STEEL BOLT 8x40	VIS INOX 8x40	STAHLSCHRAUBE 8x40 8x40
5	23556	VITE TCEI INOX 10x20	STEEL SCREW TCCE 10X20	VIS INOX TCCE 10X20	STAHLSCHRAUBE TCCE 10x20
6	4643060	RACCORDO -T- 1/4x1/4x1/4 CW510L	'T' CONNECTOR 1/4x1/4x1/4 CW510L	RACCORD 'T' 1/4x1/4x1/4 CW510L	T'-ANSCHLUSS 1/4X1/4X1/4 CW510L
7	25782	TAPPO FEMMINA 1/4 GAS	1/4 GAS FEMALE TAP	BOUCHON FEMELLE 1/4 GAZ	INNENANSCHLUSSSTOPSEL 1/4 GAS
8	12007	GUARNIZIONE KLINGERSIL4400	KLINGERSIL4400 SEAL	JOINT KLINGERSIL4400	DICHTUNG KLINGER SIL4400
9	12100	GUARNIZIONE CU/ALIM 1/4 18.7x13.2x2.5	CU GASKET 1/4 18.7X13.2X2.5	JOINT CU 1/4 18.7X13.2X2.5	CU DICHTUNG 1/4 18.7x13.2x2.5
10	4653011	FLANGIA NORMALE SENZA FORI CW510L	FLANGE WITHOUT HOLES CW510L	BRIDE SANS TROUS CW510L	NORMALER FLANSCH OHNE LOCHER CW510L
11	12003	GUARNIZIONE CALDAIA	BOILER GASKET	JOINT CHAUDIERE	KESSELDICHTUNG
12	4662020007	CALDAIA 1GR CTS CW510L	1GR CTS BOILER	CHAUDIERE 1GR CTS	KESSEL 1GR CTS
13	12101	GUARNIZIONE RAME 3/8 22x17x3	GASKET COPPER 3/8 22x17x3	JOINT CUIVRE 3/8 22x17x3	KUPFERDICHTUNG 3/8 22x17x3
14	4643052	RACCORDO "L" 3/8 CW510L	CONNECTOR 'L' 3/8	RACCORD 'L' 3/8	ANSCHLUSS 'L' 3/8
15	12153	GUARNIZIONE RAME 1/4 17x13.3x1.5	GASKET 1/4 17x13.3x1.5 COPPER	JOINT CUIVRE 1/4 17x13.3x1.5	KUPFERDICHTUNG 1/4 17x13.3x1.5
16	4656150	VALVOLA ANTIRISUCCHIO V.A.R. CW510L	ANTI-EDDY VALVE V.A.R. CW510L	SOUPAPE ANTI-DEPRESSION V.A.R. CW510L	VENTIL UNTERDRUCKFREI V.A.R. CW510L
17	12154	GUARNIZIONE CU 3/8 22x17x1.5	GASKET COPPER 3/8 22x17x1,5	JOINT CUIVRE 3/8 22x17x1.5	KUPFERDICHTUNG 3/8 22x17x1.5
18	4625785	TAPPO MASCHIO 3/8 CW510L	MALE CAP 3/8 CW210L	BOUCHON MALE 3/8 CW510L	STOPFEN 3/8 CW510L
19	4620251	SONDA LIVELLO CW510L	LEVEL PROBE	JAUG	PEGELFUHLER
20	4652000119	TUBO D-10 L.125 PESCANTE -L- A50/A	D-10 125 L PIPE CUPWARMER AT 50/A	TUYAU D-10 L.125 POUR ASPIRATION "L" A	ROHR D.10 L.125 A 50/A
21	4620352001	VALVOLA SICUREZZA SIG.CMA 22PSI	SIG.SAFETY VALVE CW510L	VANNE DE SECURITE JOINT CW510L	SICHERHEITSVENTIL SIG. CW510L
22	15006001	FLANGIA VALVOLA SICUREZZA	FLANGE VALVE	JOINT VANNE	FLANSCH VENTIL
23	12300000	GUARNIZIONE OR	GASKET O RING	JOINT OR	OR DICHTUNG
24	56009980	ASSIEME PROTEZIONE VALVOLE SICUREZZA	UNIT PROTECTION VALVE	ENSEMBLE PROTECTION VANNE	SATZ-SCHUTZGITTER VENTIL
25	15478002	TUBO SILICONE 8x11 L.70cm	SILICONE TUBE 8x11 L.70cm	TUYAU SILICONE 8x11 L.70cm	SILIKONROHR 8x11 L.70cm
26	4643033	RACCORDO "T" 3/8x3/8x1/4 CW510L	3/8x3/8x1/4 T FITTING	RACCORD "T" 3/8x3/8x1/4	ANSCHLUSS 3/8x3/8x1/4 T
27	25781	TAPPO FEMMINA 3/8	FEMALE CAP 3/8	BOUCHON FEMELLE 3/8	STOPFEN 3/8
28	12402	GUARNIZIONE PASTICCA 15x3	GASKET 15x3	JOINT 15x3	DICHTUNG 15x3
29	4663200002	SCAMBIATORE CIRC.TERMOSIFONICA D-80 CW510L	EXCHANGER WITH THERMOSIPH.CIRCULATI D-80	ECHANG. CIRCUL. A THERMOSIPHON D-80	AUSTAUSCHER MIT ROHREN D-80
30	12005	GUARNIZIONE 28x17x2	GASKET 28X17X2	JOINT 28X17X2	DICHTUNG 28x17x2
31	25651	RONDELLA OTTONE 3/8	BRASS WASHER 3/8	RONDELLE LAITON 3/8	MESSINGSCHIEBE 3/8
32	25356	CONTRODADO OTTONE 3/8	BRASS LOCK NUT 3/8	CONTRE-ECROU LAITON 3/8	MESSING-GEGENMUTTER 3/8
33	4643030001	RACCORDO INIETTORE 3/8Fx3/8Mx14F CW510L	3/8Fx3/8Mx14F INJECTOR FITTING	RACC. INJECTEUR 3/8Fx3/8Mx14F	ANSCHLUSS EINSPRITZER 3/8Fx3/8Mx14F
34	4652002788	TUBO D-6 L.85	TUBE D6 L85	TUYAU D-6 L.85	ROHR D-6 L.85



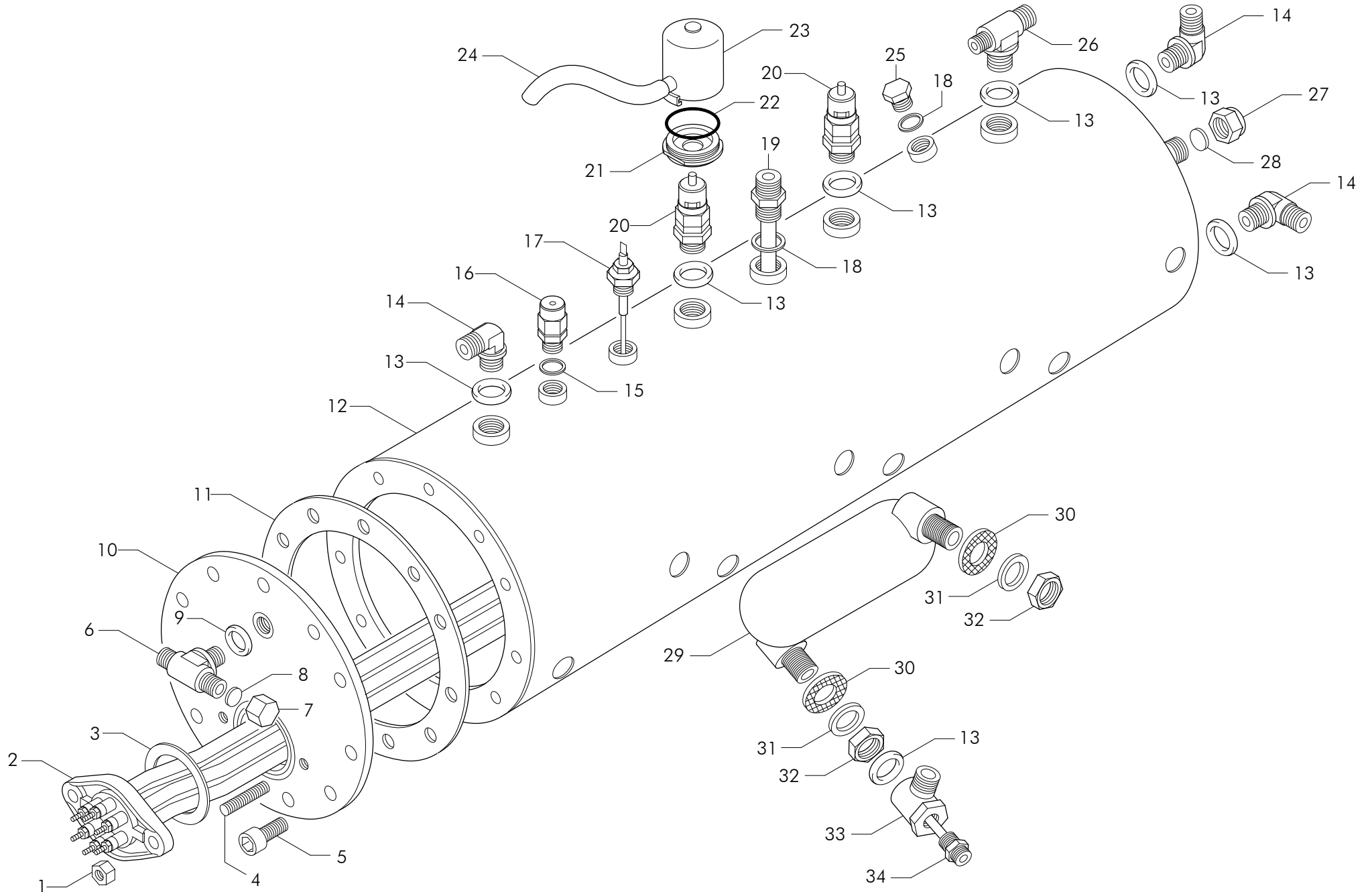
2GR

Pos	Code	Denominazione - IT -	Denomination - EN -	Denomination - FR -	Denomination - DE -
1	23049	DADO OTTONE M8	BRASS NUT M8	ECROU LAITON M8	MESSING-SCHRAUBENMUTTER M8
2	4617050	RESISTENZA 2GR 4P 120V 2600W	HEATING ELEM. 2GR 4P 120V 2600W	RESISTANCE 2GR 4P 120V 2600W	HEIZKORPER 2GR 4P 120V 2600W
2	4617060001	RESISTENZA 2GR 6P 230/240V 4500/4900W CW51	HEATING EL.2GR 230/380V 4500W 6POLE	RESISTANCE 2GR 230/380V 4500W 6POLE	HEIZKORPER 2GR 230/380V 4500W 6P CW510L
3	12001	GUARNIZIONE TEFLON 58x43x2	TEFLON GASKET 58x43x2	JOINT TEFLON 58x43x2	TEFLON DICHTUNG 58x23x2
4	23133	PRIGIONIERO INOX 8x40	STAINLESS STEEL BOLT 8x40	VIS INOX 8x40	STAHLSCHRAUBE 8x40 8x40
5	23556	VITE TCEI INOX 10x20	STEEL SCREW TCCE 10X20	VIS INOX TCCE 10X20	STAHLSCHRAUBE TCCE 10x20
6	4643060	RACCORDO -T- 1/4x1/4x1/4 CW510L	'T' CONNECTOR 1/4x1/4x1/4 CW510L	RACCORD 'T' 1/4x1/4x1/4 CW510L	T'-ANSCHLUSS 1/4X1/4X1/4 CW510L
7	25782	TAPPO FEMMINA 1/4 GAS	1/4 GAS FEMALE TAP	BOUCHON FEMELLE 1/4 GAZ	INNENANSCHLUSSSTOPSEL 1/4 GAS
8	12007	GUARNIZIONE KLINGERSIL4400	KLINGERSIL4400 SEAL	JOINT KLINGERSIL4400	DICHTUNG KLINGER SIL4400
9	12100	GUARNIZIONE CU/ALIM 1/4 18.7x13.2x2.5	CU GASKET 1/4 18.7X13.2X2.5	JOINT CU 1/4 18.7X13.2X2.5	CU DICHTUNG 1/4 18.7x13.2x2.5
10	4653011	FLANGIA NORMALE SENZA FORI CW510L	FLANGE WITHOUT HOLES CW510L	BRIDE SANS TROUS CW510L	NORMALER FLANSCH OHNE LOCHER CW510L
11	12003	GUARNIZIONE CALDAIA	BOILER GASKET	JOINT CHAUDIERE	KESSELDICHTUNG
12	4662143004	CALDAIA 2GR CTS AEA CW510L	BOILER 2GR CTS	CHAUDIERE 2GR CTS	KESSEL 2GR CTS
13	12101	GUARNIZIONE RAME 3/8 22x17x3	GASKET COPPER 3/8 22x17x3	JOINT CUIVRE 3/8 22x17x3	KUPFERDICHTUNG 3/8 22x17x3
14	4643052	RACCORDO "L" 3/8 CW510L	CONNECTOR 'L' 3/8	RACCORD 'L' 3/8	ANSCHLUSS 'L' 3/8
15	12153	GUARNIZIONE RAME 1/4 17x13.3x1.5	GASKET 1/4 17x13.3x1.5 COPPER	JOINT CUIVRE 1/4 17x13.3x1.5	KUPFERDICHTUNG 1/4 17x13.3x1.5
16	4656150	VALVOLA ANTIRISUCCHIO V.A.R. CW510L	ANTI-EDDY VALVE V.A.R. CW510L	SOUPAPE ANTI-DEPRESSION V.A.R. CW510L	VENTIL UNTERDRUCKFREI V.A.R. CW510L
17	12154	GUARNIZIONE CU 3/8 22x17x1.5	GASKET COPPER 3/8 22x17x1,5	JOINT CUIVRE 3/8 22x17x1.5	KUPFERDICHTUNG 3/8 22x17x1.5
18	4625785	TAPPO MASCHIO 3/8 CW510L	MALE CAP 3/8 CW210L	BOUCHON MALE 3/8 CW510L	STOPFEN 3/8 CW510L
19	4620251	SONDA LIVELLO CW510L	LEVEL PROBE	JAUG	PEGELFUHLER
20	4652001612	TUBO D-10 L.115	TUBE D-10 L.115	TUYAU D-10 L.115	ROHR D-10 L.115
21	4620352001	VALVOLA SICUREZZA SIG.CMA 22PSI	SIG.SAFETY VALVE CW510L	VANNE DE SECURITE JOINT CW510L	SICHERHEITSVENTIL SIG. CW510L
22	15006001	FLANGIA VALVOLA SICUREZZA	FLANGE VALVE	JOINT VANNE	FLANSCH VENTIL
23	12300000	GUARNIZIONE OR	GASKET O RING	JOINT OR	OR DICHTUNG
24	56009980	ASSIEME PROTEZIONE VALVOLE SICUREZZA	UNIT PROTECTION VALVE	ENSEMBLE PROTECTION VANNE	SATZ-SCHUTZGITTER VENTIL
25	15478002	TUBO SILICONE 8x11 L.70cm	SILICONE TUBE 8x11 L.70cm	TUYAU SILICONE 8x11 L.70cm	SILIKONROHR 8x11 L.70cm
26	4643033	RACCORDO "T" 3/8x3/8x1/4 CW510L	3/8x3/8x1/4 T FITTING	RACCORD "T" 3/8x3/8x1/4	ANSCHLUSS 3/8x3/8x1/4 T
27	25781	TAPPO FEMMINA 3/8	FEMALE CAP 3/8	BOUCHON FEMELLE 3/8	STOPFEN 3/8
28	12402	GUARNIZIONE PASTICCA 15x3	GASKET 15x3	JOINT 15x3	DICHTUNG 15x3
29	4663200002	SCAMBIATORE CIRC.TERMOSIFONICA D-80 CW510L	EXCHANGER WITH THERMOSIPH.CIRCULATI D-80	ECHANG. CIRCUL. A THERMOSIPHON D-80	AUSTAUSCHER MIT ROHREN D-80
30	12005	GUARNIZIONE 28x17x2	GASKET 28X17X2	JOINT 28X17X2	DICHTUNG 28x17x2
31	25651	RONDELLA OTTONE 3/8	BRASS WASHER 3/8	RONDELLE LAITON 3/8	MESSINGSCHIEBE 3/8
32	25356	CONTRODADO OTTONE 3/8	BRASS LOCK NUT 3/8	CONTRE-ECROU LAITON 3/8	MESSING-GEGENMUTTER 3/8
33	4643030001	RACCORDO INIETTORE 3/8Fx3/8Mx14F CW510L	3/8Fx3/8Mx14F INJECTOR FITTING	RACC. INJECTEUR 3/8Fx3/8Mx14F	ANSCHLUSS EINSPRITZER 3/8Fx3/8Mx14F
34	4652002788	TUBO D-6 L.85	TUBE D6 L85	TUYAU D-6 L.85	ROHR D-6 L.85



3GR

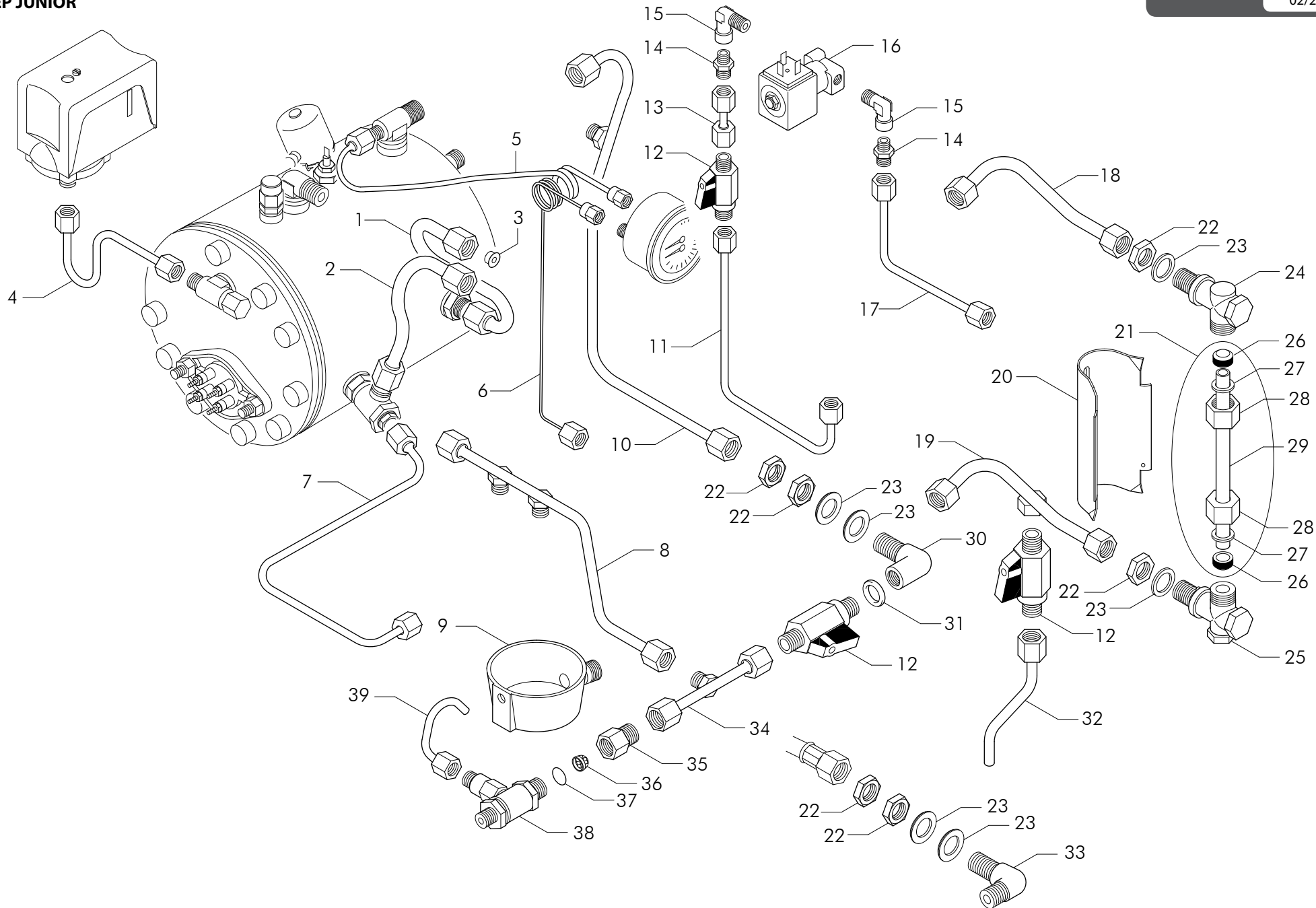
Pos	Code	Denominazione - IT -	Denomination - EN -	Denomination - FR -	Denomination - DE -
1	23049	DADO OTTONE M8	BRASS NUT M8	ECROU LAITON M8	MESSING-SCHRAUBENMUTTER M8
2	4617107	RESISTENZA 3GR 6P 230/240V 5000/5440W CW51	HEATING EL. 3GR 220/240V 5000/5440 6P	RESISTANCE 3GR 220/240V 5000/5440W	HEIZKORPER 3GR 220/240V 5000/5440W
3	12001	GUARNIZIONE TEFLON 58x43x2	TEFLON GASKET 58x43x2	JOINT TEFLON 58x43x2	TEFLON DICHTUNG 58x23x2
4	23133	PRIGIONIERO INOX 8x40	STAINLESS STEEL BOLT 8x40	VIS INOX 8x40	STAHLSCHRAUBE 8x40 8x40
5	23556	VITE TCEI INOX 10x20	STEEL SCREW TCCE 10X20	VIS INOX TCCE 10X20	STAHLSCHRAUBE TCCE 10x20
6	4643060	RACCORDO -T- 1/4x1/4x1/4 CW510L	'T' CONNECTOR 1/4x1/4x1/4 CW510L	RACCORD 'T' 1/4x1/4x1/4 CW510L	T'-ANSCHLUSS 1/4X1/4X1/4 CW510L
7	25782	TAPPO FEMMINA 1/4 GAS	1/4 GAS FEMALE TAP	BOUCHON FEMELLE 1/4 GAZ	INNENANSCHLUSSSTOPSEL 1/4 GAS
8	12007	GUARNIZIONE KLINGERSIL4400	KLINGERSIL4400 SEAL	JOINT KLINGERSIL4400	DICHTUNG KLINGER SIL4400
9	12100	GUARNIZIONE CU/ALIM 1/4 18.7x13.2x2.5	CU GASKET 1/4 18.7X13.2X2.5	JOINT CU 1/4 18.7X13.2X2.5	CU DICHTUNG 1/4 18.7x13.2x2.5
10	4653011	FLANGIA NORMALE SENZA FORI CW510L	FLANGE WITHOUT HOLES CW510L	BRIDE SANS TROUS CW510L	NORMALER FLANSCH OHNE LOCHER CW510L
11	12003	GUARNIZIONE CALDAIA	BOILER GASKET	JOINT CHAUDIERE	KESSELDICHTUNG
12	4662250005	CALDAIA 3GR CTS CW510L	3GR CTS BOILER	CHAUDIERE 3GR CTS	KESSEL 3GR CTS
13	12101	GUARNIZIONE RAME 3/8 22x17x3	GASKET COPPER 3/8 22x17x3	JOINT CUIVRE 3/8 22x17x3	KUPFERDICHTUNG 3/8 22x17x3
14	4643052	RACCORDO "L" 3/8 CW510L	CONNECTOR 'L' 3/8	RACCORD 'L' 3/8	ANSCHLUSS 'L' 3/8
15	12153	GUARNIZIONE RAME 1/4 17x13.3x1.5	GASKET 1/4 17x13.3x1.5 COPPER	JOINT CUIVRE 1/4 17x13.3x1.5	KUPFERDICHTUNG 1/4 17x13.3x1.5
16	4656150	VALVOLA ANTIRISUCCHIO V.A.R. CW510L	ANTI-EDDY VALVE V.A.R. CW510L	SOUPAPE ANTI-DEPRESSION V.A.R. CW510L	VENTIL UNTERDRUCKFREI V.A.R. CW510L
17	4620251	SONDA LIVELLO CW510L	LEVEL PROBE	JAUG	PEGELFUHLER
18	12154	GUARNIZIONE CU 3/8 22x17x1.5	GASKET COPPER 3/8 22x17x1,5	JOINT CUIVRE 3/8 22x17x1.5	KUPFERDICHTUNG 3/8 22x17x1.5
19	4652001612	TUBO D-10 L.115	TUBE D-10 L.115	TUYAU D-10 L.115	ROHR D-10 L.115
20	4620352001	VALVOLA SICUREZZA SIG.CMA 22PSI	SIG.SAFETY VALVE CW510L	VANNE DE SECURITE JOINT CW510L	SICHERHEITSVENTIL SIG. CW510L
21	15006001	FLANGIA VALVOLA SICUREZZA	FLANGE VALVE	JOINT VANNE	FLANSCH VENTIL
22	12300000	GUARNIZIONE OR	GASKET O RING	JOINT OR	OR DICHTUNG
23	56009980	ASSIEME PROTEZIONE VALVOLE SICUREZZA	UNIT PROTECTION VALVE	ENSEMBLE PROTECTION VANNE	SATZ-SCHUTZGITTER VENTIL
24	15478002	TUBO SILICONE 8x11 L.70cm	SILICONE TUBE 8x11 L.70cm	TUYAU SILICONE 8x11 L.70cm	SILIKONROHR 8x11 L.70cm
25	4625785	TAPPO MASCHIO 3/8 CW510L	MALE CAP 3/8 CW210L	BOUCHON MALE 3/8 CW510L	STOPFEN 3/8 CW510L
26	4643033	RACCORDO "T" 3/8x3/8x1/4 CW510L	3/8x3/8x1/4 T FITTING	RACCORD "T" 3/8x3/8x1/4	ANSCHLUSS 3/8x3/8x1/4 T
27	25781	TAPPO FEMMINA 3/8	FEMALE CAP 3/8	BOUCHON FEMELLE 3/8	STOPFEN 3/8
28	12402	GUARNIZIONE PASTICCA 15x3	GASKET 15x3	JOINT 15x3	DICHTUNG 15x3
29	4663200002	SCAMBIATORE CIRC.TERMOSIFONICA D-80 CW510L	EXCHANGER WITH THERMOSIPH.CIRCULATI D-80	ECHANG. CIRCUL. A THERMOSIPHON D-80	AUSTAUSCHER MIT ROHREN D-80
30	12005	GUARNIZIONE 28x17x2	GASKET 28X17X2	JOINT 28X17X2	DICHTUNG 28x17x2
31	25651	RONDELLA OTTONE 3/8	BRASS WASHER 3/8	RONDELLE LAITON 3/8	MESSINGSCHIEBE 3/8
32	25356	CONTRODADO OTTONE 3/8	BRASS LOCK NUT 3/8	CONTRE-ECROU LAITON 3/8	MESSING-GEGENMUTTER 3/8
33	4643030001	RACCORDO INIETTORE 3/8Fx3/8Mx14F CW510L	3/8Fx3/8Mx14F INJECTOR FITTING	RACC. INJECTEUR 3/8Fx3/8Mx14F	ANSCHLUSS EINSPRITZER 3/8Fx3/8Mx14F
34	4652002788	TUBO D-6 L.85	TUBE D6 L85	TUYAU D-6 L.85	ROHR D-6 L.85



4GR

Pos	Code	Denominazione - IT -	Denomination - EN -	Denomination - FR -	Denomination - DE -
1	23049	DADO OTTONE M8	BRASS NUT M8	ECROU LAITON M8	MESSING-SCHRAUBENMUTTER M8
2	4617153	RESISTENZA 4GR 6P 230/240V 6000/6530W	HEATING EL. 4GR 220/240V 6530W 6P	RESISTANCE 4GR 220/240V 6530W 6P	HEIZKORPER 4GR 220/240V 6530W 6P
3	12001	GUARNIZIONE TEFLON 58x43x2	TEFLON GASKET 58x43x2	JOINT TEFLON 58x43x2	TEFLON DICHTUNG 58x23x2
4	23133	PRIGIONIERO INOX 8x40	STAINLESS STEEL BOLT 8x40	VIS INOX 8x40	STAHLSCHRAUBE 8x40 8x40
5	23556	VITE TCEI INOX 10x20	STEEL SCREW TCCE 10X20	VIS INOX TCCE 10X20	STAHLSCHRAUBE TCCE 10x20
6	4643060	RACCORDO -T- 1/4x1/4x1/4 CW510L	'T' CONNECTOR 1/4x1/4x1/4 CW510L	RACCORD 'T' 1/4x1/4x1/4 CW510L	T'-ANSCHLUSS 1/4X1/4X1/4 CW510L
7	25782	TAPPO FEMMINA 1/4 GAS	1/4 GAS FEMALE TAP	BOUCHON FEMELLE 1/4 GAZ	INNENANSCHLUSSSTOPSEL 1/4 GAS
8	12007	GUARNIZIONE KLINGERSIL4400	KLINGERSIL4400 SEAL	JOINT KLINGERSIL4400	DICHTUNG KLINGER SIL4400
9	12100	GUARNIZIONE CU/ALIM 1/4 18.7x13.2x2.5	CU GASKET 1/4 18.7X13.2X2.5	JOINT CU 1/4 18.7X13.2X2.5	CU DICHTUNG 1/4 18.7x13.2x2.5
10	4653011	FLANGIA NORMALE SENZA FORI CW510L	FLANGE WITHOUT HOLES CW510L	BRIDE SANS TROUS CW510L	NORMALER FLANSCH OHNE LOCHER CW510L
11	12003	GUARNIZIONE CALDAIA	BOILER GASKET	JOINT CHAUDIERE	KESSELDICHTUNG
12	4662356004	CALDAIA 4GR CTS AEA ESPRESSIMO CW510L	CTS AEA BOILER 4 UNIT	CHAUDIERE 4GR CTS AEA	HEIZKESSEL 4GR CTS AEA
13	12101	GUARNIZIONE RAME 3/8 22x17x3	GASKET COPPER 3/8 22x17x3	JOINT CUIVRE 3/8 22x17x3	KUPFERDICHTUNG 3/8 22x17x3
14	4643052	RACCORDO "L" 3/8 CW510L	CONNECTOR 'L' 3/8	RACCORD 'L' 3/8	ANSCHLUSS 'L' 3/8
15	12153	GUARNIZIONE RAME 1/4 17x13.3x1.5	GASKET 1/4 17x13.3x1.5 COPPER	JOINT CUIVRE 1/4 17x13.3x1.5	KUPFERDICHTUNG 1/4 17x13.3x1.5
16	4656150	VALVOLA ANTIRISUCCHIO V.A.R. CW510L	ANTI-EDDY VALVE V.A.R. CW510L	SOUPAPE ANTI-DEPRESSION V.A.R. CW510L	VENTIL UNTERDRUCKFREI V.A.R. CW510L
17	4620251	SONDA LIVELLO CW510L	LEVEL PROBE	JAUG	PEGELFUHLER
18	12154	GUARNIZIONE CU 3/8 22x17x1.5	GASKET COPPER 3/8 22x17x1,5	JOINT CUIVRE 3/8 22x17x1.5	KUPFERDICHTUNG 3/8 22x17x1.5
19	4652001612	TUBO D-10 L.115	TUBE D-10 L.115	TUYAU D-10 L.115	ROHR D-10 L.115
20	4620352001	VALVOLA SICUREZZA SIG.CMA 22PSI	SIG.SAFETY VALVE CW510L	VANNE DE SECURITE JOINT CW510L	SICHERHEITSVENTIL SIG. CW510L
21	15006001	FLANGIA VALVOLA SICUREZZA	FLANGE VALVE	JOINT VANNE	FLANSCH VENTIL
22	12300000	GUARNIZIONE OR	GASKET O RING	JOINT OR	OR DICHTUNG
23	56009980	ASSIEME PROTEZIONE VALVOLE SICUREZZA	UNIT PROTECTION VALVE	ENSEMBLE PROTECTION VANNE	SATZ-SCHUTZGITTER VENTIL
24	15478002	TUBO SILICONE 8x11 L.70cm	SILICONE TUBE 8x11 L.70cm	TUYAU SILICONE 8x11 L.70cm	SILIKONROHR 8x11 L.70cm
25	4625785	TAPPO MASCHIO 3/8 CW510L	MALE CAP 3/8 CW210L	BOUCHON MALE 3/8 CW510L	STOPFEN 3/8 CW510L
26	4643033	RACCORDO "T" 3/8x3/8x1/4 CW510L	3/8x3/8x1/4 T FITTING	RACCORD "T" 3/8x3/8x1/4	ANSCHLUSS 3/8x3/8x1/4 T
27	25781	TAPPO FEMMINA 3/8	FEMALE CAP 3/8	BOUCHON FEMELLE 3/8	STOPFEN 3/8
28	12402	GUARNIZIONE PASTICCA 15x3	GASKET 15x3	JOINT 15x3	DICHTUNG 15x3
29	4663200002	SCAMBIATORE CIRC.TERMOSIFONICA D-80 CW510L	EXCHANGER WITH THERMOSIPH.CIRCULATI D-80	ECHANG. CIRCUL. A THERMOSIPHON D-80	AUSTAUSCHER MIT ROHREN D-80
30	12005	GUARNIZIONE 28x17x2	GASKET 28X17X2	JOINT 28X17X2	DICHTUNG 28x17x2
31	25651	RONDELLA OTTONE 3/8	BRASS WASHER 3/8	RONDELLE LAITON 3/8	MESSINGSCHIEBE 3/8
32	25356	CONTRODADO OTTONE 3/8	BRASS LOCK NUT 3/8	CONTRE-ECROU LAITON 3/8	MESSING-GEGENMUTTER 3/8
33	4643030001	RACCORDO INIETTORE 3/8Fx3/8Mx14F CW510L	3/8Fx3/8Mx14F INJECTOR FITTING	RACC. INJECTEUR 3/8Fx3/8Mx14F	ANSCHLUSS EINSPRITZER 3/8Fx3/8Mx14F
34	4652002788	TUBO D-6 L.85	TUBE D6 L85	TUYAU D-6 L.85	ROHR D-6 L.85

AEP JUNIOR

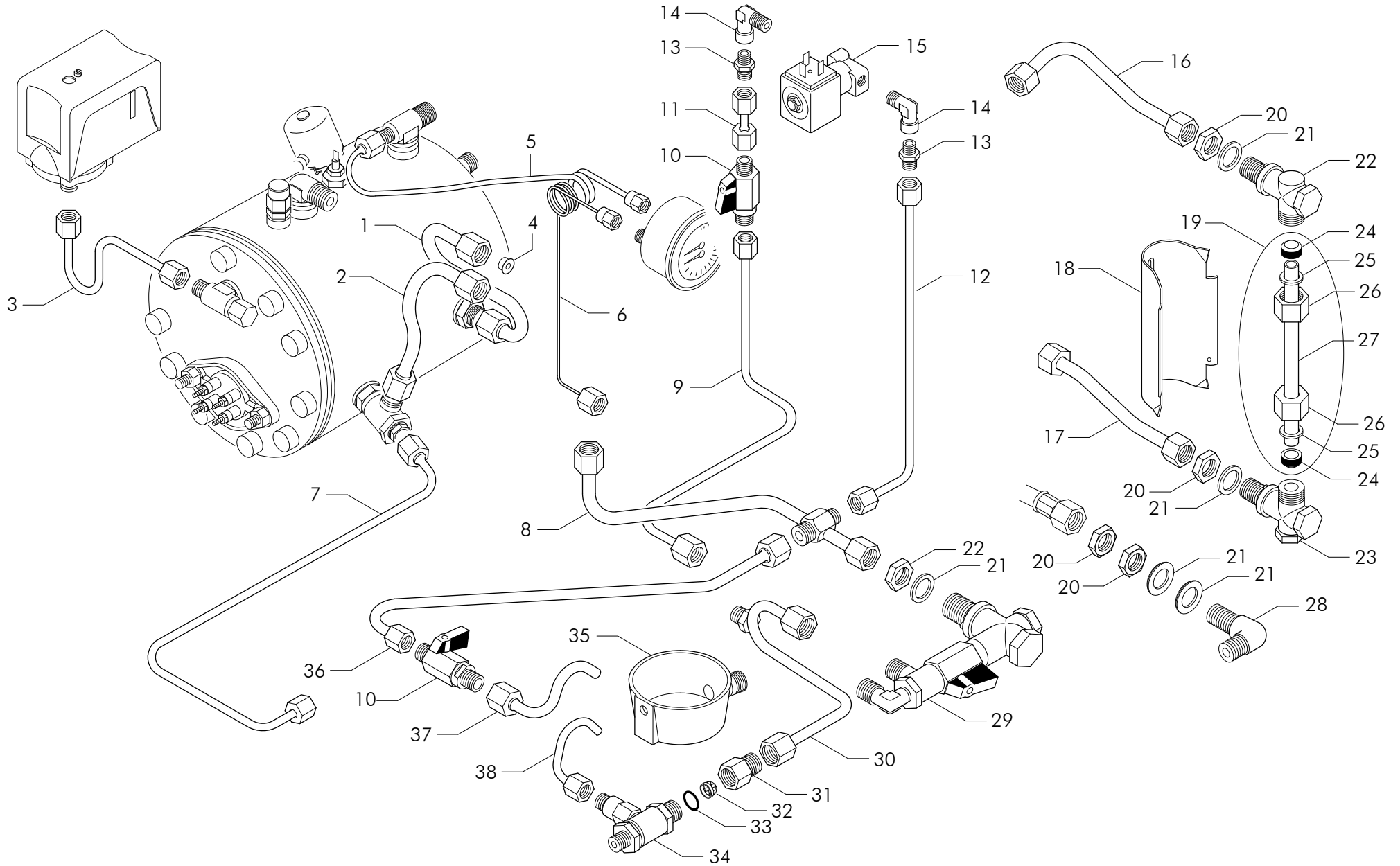


AEP JUNIOR

Pos	Code	Denominazione - IT -	Denomination - EN -	Denomination - FR -	Denomination - DE -
1	4652001538	TUBO D-10 L.215	TUBE D-10 L.215	TUYAU D-10 L.215	ROHR D-10 L.215
2	4652000778	TUBO D-10 L.125	TUBE D-10 L.125	TUYAU D-10 L.125	ROHR D-10 L.125
3	4623294001	STROZZATURA RICIRCOLO GR CTS D 2,5	CTS UNIT D 2,5 RECIRC. NECK	ETRANGLEMENT RECYCLAGE GR.D-2,5	ENGSTELLE UMWALZUNG D. 2,5
3	4623294002	STROZZATURA RICIRCOLO GR CTS D.3	CTS GROUP D.3 RECIRC. NECK	ETRANGLEMENT RECYCLAGE GR. D.3	ENGSTELLE UMWALZUNG D.3
3	4623294003	STROZZATURA RICIRCOLO GR CTS D 4	CTS UNIT D 4 RECIRC. NECK	ETRANGLEMENT RECYCLAGE GR.D.4	ENGSTELLE UMWALZUNG D. 4
3	4623294004	STROZZATURA RICIRCOLO GR CTS D 5	CTS UNIT D 5 RECIRC. NECK	ETRANGLEMENT RECYCLAGE GR.D.5	ENGSTELLE UMWALZUNG D.5
4	4652000774	TUBO D-6 L.190	TUBE D-6 L.190	TUYAU D-6 L.190	ROHR D-6 L.190
5	4652002770	TUBO D-4 L.900	TUBE D-4 L.900	TUYAU D-4 L.900	ROHR D-4 L.900
6	4652003055	TUBO D-2 L.500	TUBE D-2 L.500	TUYAU D-2 L.500	ROHR D-2 L.500
7	4652000788	TUBO D-6 L.285	TUBE D-6 L.285	TUYAU D-6 L.285	ROHR D-6 L.285
8	4652000793	TUBO D-6 L.370	TUBE D-6 L.370	TUYAU D-6 L.370	ROHR D-6 L.370
9	15502	VASCHETTA SCARICO ROTONDA D 80	ROUND DRAIN BASIN D.80mm	CUVE A VIDANGER RONDE D.80mm	RUNDE ABFLUSSCHALE D.80mm
10	4652000775	TUBO D-10 L.430	TUBE D-10 L.430	TUYAU D-10 L.430	ROHR D-10 L.430
11	4652000790	TUBO D-6 L.400	TUBE D-6 L.400	TUYAU D-6 L.400	ROHR D-6 L.400
12	4620354001	VALVOLA CHIUSURA L.40	PRESSURE RELEASE TAP BULK UNIT L.40	CLAPET FERMETURE AUT.ARRIVEE EAU	ABSPERRVENTIL x AUT.WASSERZUFUHR L.40
13	4652001590	TUBO D-6 L.28	TUBE D-6 L.28	TUYAU D-6 L.28	ROHR D-6 L.28
14	4625707	RACCORDO 1/8x1/4 CW510L	CONNECTOR 1/8x1/4 CW510L	RACCORD 1/8x1/4 CW510L	ANSCHLUSS 1/8x1/4 CW510L
15	4723229103	RACCORDO 1/8-1/8	CONNECTOR 1/8-1/8	RACCORD 1/8-1/8	ANSCHLUSS 1/8-1/8
16	4618162004	ELETTROVALVOLA AEA 220-240V 50-60Hz NSF	SOL.VALVE WATER REFILL 220/240 50/60HZ	ELECTROVANNE REA 220/240V 50/60Hz	ELEKTROVENTIL AWZ 230/250 V 50/60 Hz
16	4618195	ELETTROVALVOLA AEA 110-120V 50-60Hz NSF	SOL.VALVE WATER REFILL 110/120V 50/60HZ	ELECTROVANNE REA 110/120V 50/60Hz NSF	ELEKTROVENTIL AWZ 110/120V 50/60Hz NSF
17	4652000773	TUBO D-6 L.155	TUBE D-6 L.155	TUYAU D-6 L.155	ROHR D-6 L.155
18	4652000776	TUBO D-10 L.200	TUBE D-10 L.200	TUYAU D-10 L.200	ROHR D-10 L.200
19	4652000777	TUBO D-10 L.190	TUBE D-10 L.190	TUYAU D-10 L.190	ROHR D-10 L.190
20	44002	COPRILIVELLO VERNICIATO BIANCO	LEVEL INDICATOR COVER PAINTED WHITE	COUVRE-NIVEAU LAQUE BLANC	NIVEAUDECKEL
21	56001	ASSIEME TUBO LIVELLO	LEVEL TUBE UNIT	ENSEMBLE TUBE DE NIVEAU	ROHRSATZ FUR NIVEAU
22	25356	CONTRODADO OTTONE 3/8	BRASS LOCK NUT 3/8	CONTRE-ECROU LAITON 3/8	MESSING-GEGENMUTTER 3/8
23	25651	RONDELLA OTTONE 3/8	BRASS WASHER 3/8	RONDELLE LAITON 3/8	MESSINGSCHIEBE 3/8
24	4653002	CORPO LIVELLO SUPERIORE	UPPER LEVEL BODY	CORPS DE NIVEAU SUPERIEUR	OBERNIVEAUKORPER
25	4656005	CORPO LIVELLO INFERIORE	LOWER LEVEL BODY UNIT	ENSEMBLE CORPS DE NIVEAU INFERIEUR	UNTER NIVEAUKORPER
26	12200	GUARNIZIONE 16x10x8	GASKET 16X10X8	JOINT 16X10X8	DICHTUNG 16x10x8
27	25652	RONDELLA OTTONE D17.8	BRASS WASHER D.17.8	RONDELLE LAITON D.17.8	MESSING-SCHIEBE D.17.8
28	25383	DADO OTTONE M20x1.5	BRASS NUT 20X1.5	ECROU LAITON 20X1.5	MESSING-MUTTER 20x1.5
29	21300	TUBO VETRO LIVELLO 11x8x170	GLASS LEVEL TUBE 11X8X170	TUBE NIVEAU EN VERRE 11X8X170	NIVEAU GLASROHR 11x8x170
30	4643067000	RACCORDO "L" 1/4F GASx3/8 GAS L.30 CW510L	1/4F GAS X 3/8 GAS L FITTING L.30	RACCORD L 1/4F GAZx3/8 GAZ L.30	ANSCHLUSS L 1/4F GAS x 3/8 GAS L. 30
31	12100	GUARNIZIONE CU/ALIM 1/4 18.7x13.2x2.5	CU GASKET 1/4 18.7X13.2X2.5	JOINT CU 1/4 18.7X13.2X2.5	CU DICHTUNG 1/4 18.7x13.2x2.5
32	4652000780	TUBO D-8 L.210	TUBE D-8 L.210	TUYAU D-8 L.210	ROHR D-8 L.210
33	4643067	RACCORDO "L" 3/8x3/8	3/8X3/8 L FITTING	RACCORD L 3/8x3/8	ANSCHLUSS L 3/8x3/8
34	4652000789	TUBO D-8 L.65	TUBE D-8 L.65	TUYAU D-8 L.65	ROHR D-8 L.65

AEP JUNIOR

Pos	Code	Denominazione - IT -	Denomination - EN -	Denomination - FR -	Denomination - DE -
35	4625732100	RACCORDO 3/8Mx3/8F + SEDE FILTRO	FITTING 3/8Mx3/8F	RACCORD 3/8Mx3/8F	ANSCHLUSS 3/8Mx3/8F
36	10254	FILTRO ACCIAIO 160-200 MESH	STEEL FILTER 160-200 MESH	FILTRE EN ACIER 160-200 MESH	STAHLFILTER 160-200 MESH
37	12312	GUARNIZIONE OR FILTRO AEA 10x2	O RING FOR WATER REFILL FILTER 10x2	JOINT OR FILTRE AUT.REM.EAU 10X2	OR DICHTUNG FUR WASSERFULLUNGFILTER
38	4620361	VALVOLA S.C.N.R. REGOLABILE	ADJUSTABLE S.C.N.R. VALVE	SOUPAPE S.C.N.R. REGLABLE	EINSTELLBARES VENTIL S.N.C.R.
39	4652001350	TUBO D-6 L.105	TUBE D-6 L.105	TUYAU D-6 L.105	ROHR D-6 L.105

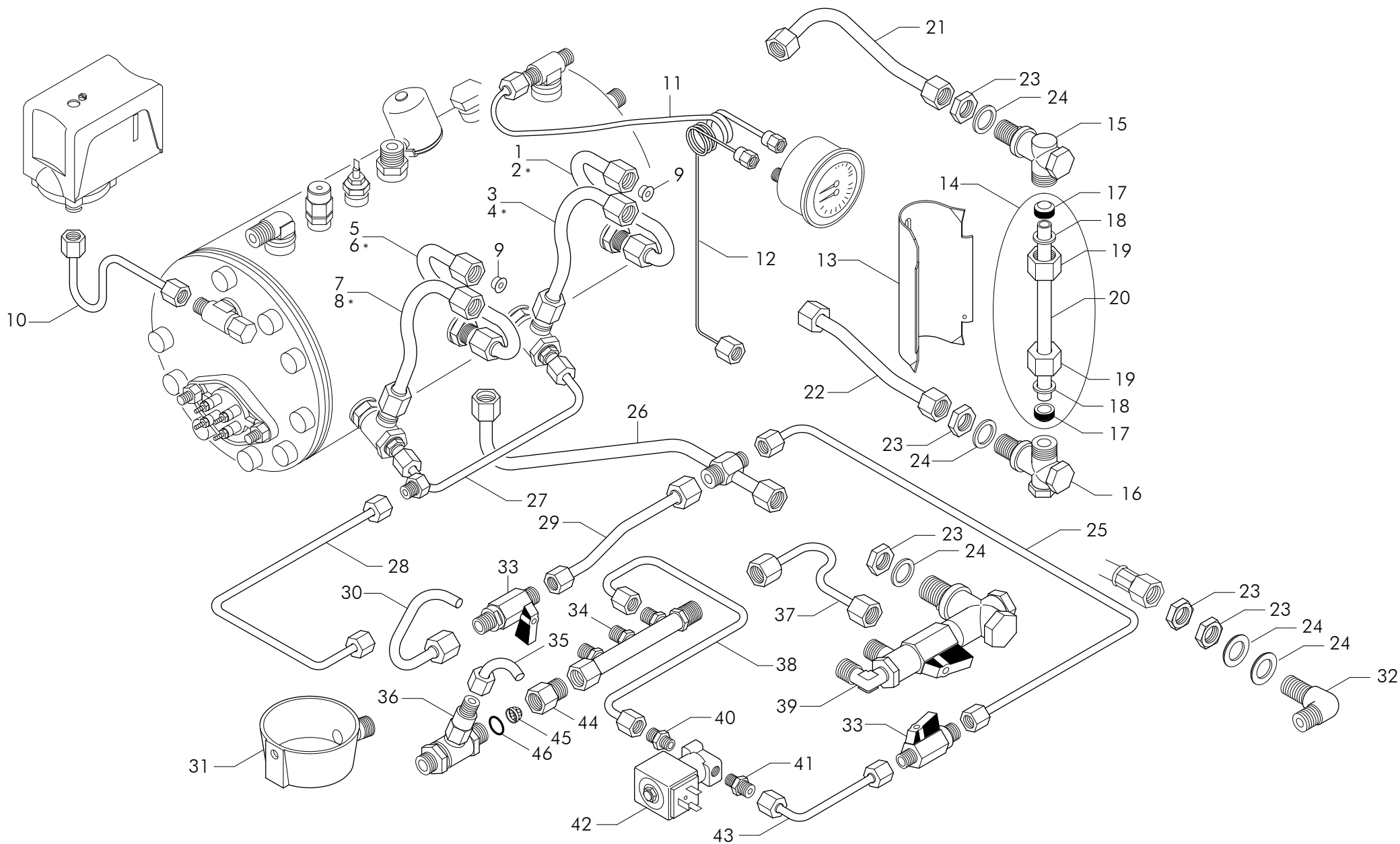


AEP 1GR

Pos	Code	Denominazione - IT -	Denomination - EN -	Denomination - FR -	Denomination - DE -
1	4652000481	TUBO D-10 L.215	TUBE D-10 L.215	TUYAU D-10 L.215	ROHR D-10 L.215
2	4652000482	TUBO D-10 L.185	TUBE D-10 L.185	TUYAU D-10 L.185	ROHR D-10 L.185
3	4652001225	TUBO D-6 L.220	TUBE D-6 L.220	TUYAU D-6 L.220	ROHR D-6 L.220
4	4623294001	STROZZATURA RICIRCOLO GR CTS D 2,5	CTS UNIT D 2,5 RECIRC. NECK	ETRANGLEMENT RECYCLAGE GR.D-2,5	ENGSTELLE UMWALZUNG D. 2,5
4	4623294002	STROZZATURA RICIRCOLO GR CTS D.3	CTS GROUP D.3 RECIRC. NECK	ETRANGLEMENT RECYCLAGE GR. D.3	ENGSTELLE UMWALZUNG D.3
4	4623294003	STROZZATURA RICIRCOLO GR CTS D 4	CTS UNIT D 4 RECIRC. NECK	ETRANGLEMENT RECYCLAGE GR.D.4	ENGSTELLE UMWALZUNG D. 4
4	4623294004	STROZZATURA RICIRCOLO GR CTS D 5	CTS UNIT D 5 RECIRC. NECK	ETRANGLEMENT RECYCLAGE GR.D.5	ENGSTELLE UMWALZUNG D.5
5	4652000419	TUBO D-4 L.635	TUBE D-4 L.635	TUYAU D-4 L.635	ROHR D-4 L.635
6	4652003055	TUBO D-2 L.500	TUBE D-2 L.500	TUYAU D-2 L.500	ROHR D-2 L.500
7	4652000244	TUBO D-6 L.280	TUBE D-6 L.280	TUYAU D-6 L.280	ROHR D-6 L.280
8	4652003212	TUBO D-10 L.320	TUBE D-10 L.320	TUYAU D-10 L.320	ROHR D-10 L.320
9	4652000426	TUBO D-6 L.550	TUBE D-6 L.550	TUYAU D-6 L.550	ROHR D-6 L.550
10	4620354001	VALVOLA CHIUSURA L.40	PRESSURE RELEASE TAP BULK UNIT L.40	CLAPET FERMETURE AUT.ARRIVEE EAU	ABSPERRVENTIL x AUT.WASSERZUFUHR L.40
11	4652001590	TUBO D-6 L.28	TUBE D-6 L.28	TUYAU D-6 L.28	ROHR D-6 L.28
12	4652000366	TUBO D-6 L.575	TUBE D-6 L.575	TUYAU D-6 L.575	ROHR D-6 L.575
13	4625707	RACCORDO 1/8x1/4 CW510L	CONNECTOR 1/8x1/4 CW510L	RACCORD 1/8x1/4 CW510L	ANSCHLUSS 1/8x1/4 CW510L
14	4723229103	RACCORDO 1/8-1/8	CONNECTOR 1/8-1/8	RACCORD 1/8-1/8	ANSCHLUSS 1/8-1/8
15	4618162004	ELETTROVALVOLA AEA 220-240V 50-60Hz NSF	SOL.VALVE WATER REFILL 220/240 50/60HZ	ELECTROVANNE REA 220/240V 50/60Hz	ELEKTROVENTIL AWZ 230/250 V 50/60HZ
15	4618195	ELETTROVALVOLA AEA 110-120V 50-60Hz NSF	SOL.VALVE WATER REFILL 110/120V 50/60HZ	ELECTROVANNE REA 110/120V 50/60Hz NSF	ELEKTROVENTIL AWZ 110/120V 50/60HZ NSF
16	4652002700	TUBO D-10 L.185	TUBE D-10 L.185	TUYAU D-10 L.185	ROHR D-10 L.185
17	4652000400	TUBO D-10 L.110	TUBE D-10 L.110	TUYAU D-10 L.110	ROHR D-10 L.110
18	44002	COPRILIVELLO VERNICIATO BIANCO	LEVEL INDICATOR COVER PAINTED WHITE	COUVRE-NIVEAU LAQUE BLANC	NIVEAUDECKEL
19	56001	ASSIEME TUBO LIVELLO	LEVEL TUBE UNIT	ENSEMBLE TUBE DE NIVEAU	ROHRSATZ FUR NIVEAU
20	25356	CONTRODADO OTTONE 3/8	BRASS LOCK NUT 3/8	CONTRE-ECROU LAITON 3/8	MESSING-GEGENMUTTER 3/8
21	25651	RONDELLA OTTONE 3/8	BRASS WASHER 3/8	RONDELLE LAITON 3/8	MESSINGSCHIEBE 3/8
22	4653002	CORPO LIVELLO SUPERIORE	UPPER LEVEL BODY	CORPS DE NIVEAU SUPERIEUR	OBERNIVEAUKORPER
23	4656005	CORPO LIVELLO INFERIORE	LOWER LEVEL BODY UNIT	ENSEMBLE CORPS DE NIVEAU INFERIEUR	UNTER NIVEAUKORPER
24	12200	GUARNIZIONE 16x10x8	GASKET 16X10X8	JOINT 16X10X8	DICHTUNG 16x10x8
25	25652	RONDELLA OTTONE D17.8	BRASS WASHER D.17.8	RONDELLE LAITON D.17.8	MESSING-SCHIEBE D.17.8
26	25383	DADO OTTONE M20x1.5	BRASS NUT 20X1.5	ECROU LAITON 20X1.5	MESSING-MUTTER 20x1.5
27	21300	TUBO VETRO LIVELLO 11x8x170	GLASS LEVEL TUBE 11X8X170	TUBE NIVEAU EN VERRE 11X8X170	NIVEAU GLASROHR 11x8x170
28	4643067	RACCORDO "L" 3/8x3/8	3/8X3/8 L FITTING	RACCORD L 3/8x3/8	ANSCHLUSS L 3/8x3/8
29	4656134001	BLOCCETTO POMPA CW510L	UNIT PUMP CW510L	ENSEMBLE POMPE CW510L	PUMPENSATZ CW510L
30	4652000427	TUBO D-8 L.230	TUBE D-8 L.230	TUYAU D-8 L.230	ROHR D-8 L.230
31	4625732100	RACCORDO 3/8Mx3/8F + SEDE FILTRO	FITTING 3/8Mx3/8F	RACCORD 3/8Mx3/8F	ANSCHLUSS 3/8Mx3/8F
32	10254	FILTRO ACCIAIO 160-200 MESH	STEEL FILTER 160-200 MESH	FILTRE EN ACIER 160-200 MESH	STAHLFILTER 160-200 MESH

AEP 1GR

Pos	Code	Denominazione - IT -	Denomination - EN -	Denomination - FR -	Denomination - DE -
33	12312	GUARNIZIONE OR FILTRO AEA 10x2	O RING FOR WATER REFILL FILTER 10x2	JOINT OR FILTRE AUT.REM.EAU 10X2	OR DICHTUNG FUR WASSERFULLUNGFILTER
34	4620361	VALVOLA S.C.N.R. REGOLABILE	ADJUSTABLE S.C.N.R. VALVE	SOUPAPE S.C.N.R. REGLABLE	EINSTELLBARES VENTIL S.N.C.R.
35	15502	VASCHETTA SCARICO ROTONDA D 80	ROUND DRAIN BASIN D.80mm	CUVE A VIDANGER RONDE D.80mm	RUNDE ABFLUSSCHALE D.80mm
36	4652000365	TUBO D-8 L.280	TUBE D-8 L.280	TUYAU D-8 L.280	ROHR D-8 L.280
37	4652000425	TUBO D-6 L.115	TUBE D-6 L.115	TUYAU D-6 L.115	ROHR D-6 L.115
38	4652001350	TUBO D-6 L.105	TUBE D-6 L.105	TUYAU D-6 L.105	ROHR D-6 L.105



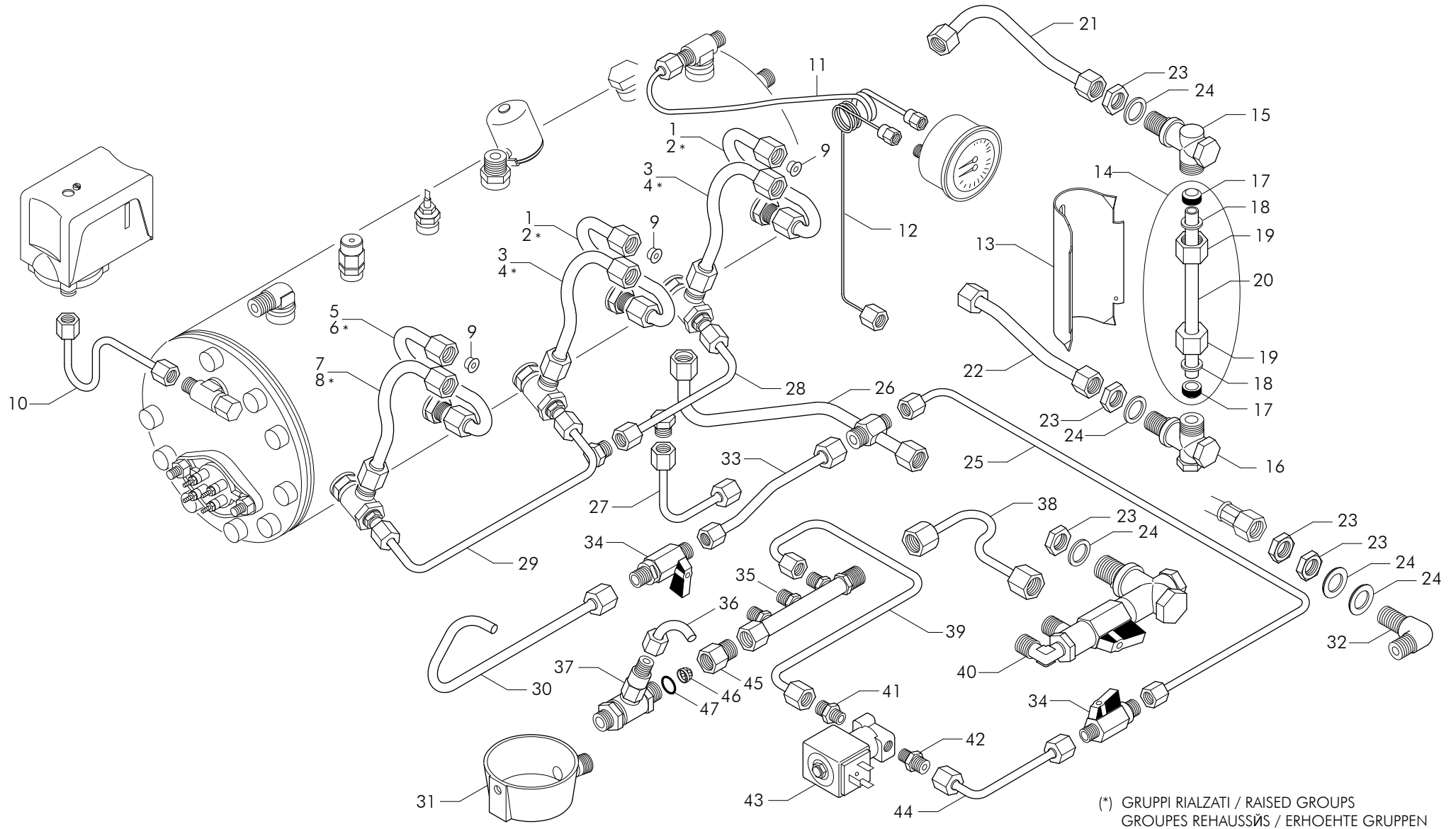
(*) GRUPPI RIALZATI / RAISED GROUPS
GROUPES REHAUSSÉS / ERHOEHTE GRUPPEN

AEP 2GR

Pos	Code	Denominazione - IT -	Denomination - EN -	Denomination - FR -	Denomination - DE -
1	4652003934	TUBO D-10 L.210	TUBE D-10 L.210	TUYAU D-10 L.210	ROHR D-10 L.210
2	4652000487	TUBO D-10 L.205	TUBE D-10 L.205	TUYAU D-10 L.205	ROHR D-10 L.205
3	4652000245	TUBO D-10 L.165	TUBE D-10 L.165	TUYAU D-10 L.165	ROHR D-10 L.165
4	4652000488	TUBO D-10 L.200	TUBE D-10 L.200	TUYAU D-10 L.200	ROHR D-10 L.200
5	4652000214	TUBO D-10 L.195	TUBE D-10 L.195	TUYAU D-10 L.195	ROHR D-10 L.195
6	4652000489	TUBO D-10 L.240	TUBE D-10 L.240	TUYAU D-10 L.240	ROHR D-10 L.240
7	4652000272	TUBO D-10 L.135	TUBE D-10 L.135	TUYAU D-10 L.135	ROHR D-10 L.135
8	4652000490	TUBO D-10 L.180	TUBE D-10 L.180	TUYAU D-10 L.180	ROHR D-10 L.180
9	4623294001	STROZZATURA RICIRCOLO GR CTS D 2,5	CTS UNIT D 2,5 RECIRC. NECK	ETRANGLEMENT RECYCLAGE GR.D-2,5	ENGSTELLE UMWALZUNG D. 2,5
9	4623294002	STROZZATURA RICIRCOLO GR CTS D.3	CTS GROUP D.3 RECIRC. NECK	ETRANGLEMENT RECYCLAGE GR. D.3	ENGSTELLE UMWALZUNG D.3
9	4623294003	STROZZATURA RICIRCOLO GR CTS D 4	CTS UNIT D 4 RECIRC. NECK	ETRANGLEMENT RECYCLAGE GR.D.4	ENGSTELLE UMWALZUNG D. 4
9	4623294004	STROZZATURA RICIRCOLO GR CTS D 5	CTS UNIT D 5 RECIRC. NECK	ETRANGLEMENT RECYCLAGE GR.D.5	ENGSTELLE UMWALZUNG D.5
10	4652003932	TUBO D-6 L.165	TUBE D-6 L.165	TUYAU D-6 L.165	ROHR D-6 L.165
11	4652000405	TUBO D-4 L.700	TUBE D-4 L.700	TUYAU D-4 L.700	ROHR D-4 L.700
12	4652003055	TUBO D-2 L.500	TUBE D-2 L.500	TUYAU D-2 L.500	ROHR D-2 L.500
13	44002	COPRILIVELLO VERNICIATO BIANCO	LEVEL INDICATOR COVER PAINTED WHITE	COUVRE-NIVEAU LAQUE BLANC	NIVEAUDECKEL
14	56001	ASSIEME TUBO LIVELLO	LEVEL TUBE UNIT	ENSEMBLE TUBE DE NIVEAU	ROHRSATZ FUR NIVEAU
15	4653002	CORPO LIVELLO SUPERIORE	UPPER LEVEL BODY	CORPS DE NIVEAU SUPERIEUR	OBERNIVEAUKORPER
16	4656005	CORPO LIVELLO INFERIORE	LOWER LEVEL BODY UNIT	ENSEMBLE CORPS DE NIVEAU INFERIEUR	UNTER NIVEAUKORPER
17	12200	GUARNIZIONE 16x10x8	GASKET 16X10X8	JOINT 16X10X8	DICHTUNG 16x10x8
18	25652	RONDELLA OTTONE D17.8	BRASS WASHER D.17.8	RONDELLE LAITON D.17.8	MESSING-SCHEIBE D.17.8
19	25383	DADO OTTONE M20x1.5	BRASS NUT 20X1.5	ECROU LAITON 20X1.5	MESSING-MUTTER 20x1.5
20	21300	TUBO VETRO LIVELLO 11x8x170	GLASS LEVEL TUBE 11X8X170	TUBE NIVEAU EN VERRE 11X8X170	NIVEAU GLASROHR 11x8x170
21	4652002700	TUBO D-10 L.185	TUBE D-10 L.185	TUYAU D-10 L.185	ROHR D-10 L.185
22	4652000400	TUBO D-10 L.110	TUBE D-10 L.110	TUYAU D-10 L.110	ROHR D-10 L.110
23	25356	CONTRODADO OTTONE 3/8	BRASS LOCK NUT 3/8	CONTRE-ECROU LAITON 3/8	MESSING-GEGENMUTTER 3/8
24	25651	RONDELLA OTTONE 3/8	BRASS WASHER 3/8	RONDELLE LAITON 3/8	MESSINGSCHIEBE 3/8
25	4652001591	TUBO D-6 L.275	TUBE D-6 L.275	TUYAU D-6 L.275	ROHR D-6 L.275
26	4652003212	TUBO D-10 L.320	TUBE D-10 L.320	TUYAU D-10 L.320	ROHR D-10 L.320
27	4652000233	TUBO D-6 L.230	TUBE D-6 L.230	TUYAU D-6 L.230	ROHR D-6 L.230
28	4652001616	TUBO D-6 L.285	TUBE D-6 L.285	TUYAU D-6 L.285	ROHR D-6 L.285
29	4652000361	TUBO D-8 L.135	TUBE D-8 L.135	TUYAU D-8 L.135	ROHR D-8 L.135
30	4652000267	TUBO D-8 L.100	TUBE D-8 L.100	TUYAU D-8 L.100	ROHR D. 8 L.100
31	15502	VASCHETTA SCARICO ROTONDA D 80	ROUND DRAIN BASIN D.80mm	CUVE A VIDANGER RONDE D.80mm	RUNDE ABFLUSSCHALE D.80mm
32	4643067	RACCORDO "L" 3/8x3/8	3/8X3/8 L FITTING	RACCORD L 3/8x3/8	ANSCHLUSS L 3/8x3/8
33	4620354001	VALVOLA CHIUSURA L.40	PRESSURE RELEASE TAP BULK UNIT L.40	CLAPET FERMETURE AUT.ARRIVEE EAU	ABSPERRVENTIL x AUT.WASSERZUFUHR L.40
34	4656136004	BLOCCO DISTRIBUZ.2-3-4GR	DISTRIBUTION BLOCK 2-3-4GR	BLOC DISTRIBUTION 2-3-4GR	BLOCK VERTEILER 2-3-4GR
35	4652002898	TUBO D-6 L.50	TUBE D-6 L.50	TUYAU D-6 L.50	ROHR D. 6 L.50

AEP 2GR

Pos	Code	Denominazione - IT -	Denomination - EN -	Denomination - FR -	Denomination - DE -
36	4620361	VALVOLA S.C.N.R. REGOLABILE	ADJUSTABLE S.C.N.R. VALVE	SOUPAPE S.C.N.R. REGLABLE	EINSTELLBARES VENTIL S.N.C.R.
37	4652001594	TUBO D-6 L.150	TUBE D-6 L.150	TUYAU D-6 L.150	ROHR D-6 L.150
38	4652001593	TUBO D-6 L.285	TUBE D-6 L.285	TUYAU D-6 L.285	ROHR D-6 L.285
39	4656134001	BLOCCETTO POMPA CW510L	UNIT PUMP CW510L	ENSEMBLE POMPE CW510L	PUMPENSATZ CW510L
40	4625707004	RACCORDO DRITTO 1/8x1/4	STRAIGHT CONNECTOR 1/8-1/4	RACCORD 1/8-1/4	ANSCHLUSS 1/8-1/4
41	4625707	RACCORDO 1/8x1/4 CW510L	CONNECTOR 1/8x1/4 CW510L	RACCORD 1/8x1/4 CW510L	ANSCHLUSS 1/8x1/4 CW510L
42	4618162004	ELETTROVALVOLA AEA 220-240V 50-60Hz NSF	SOL.VALVE WATER REFILL 220/240 50/60HZ	ELECTROVANNE REA 220/240V 50/60Hz	ELEKTROVENTIL AWZ 230/250 V 50/60 Hz
42	4618195	ELETTROVALVOLA AEA 110-120V 50-60Hz NSF	SOL.VALVE WATER REFILL 110/120V 50/60HZ	ELECTROVANNE REA 110/120V 50/60Hz NSF	ELEKTROVENTIL AWZ 110/120V 50/60HZ NSF
43	4652001592	TUBO D-6 L.85	TUBE D-6 L.85	TUYAU D-6 L.85	ROHR D-6 L.85
44	4625732100	RACCORDO 3/8Mx3/8F + SEDE FILTRO	FITTING 3/8Mx3/8F	RACCORD 3/8Mx3/8F	ANSCHLUSS 3/8Mx3/8F
45	10254	FILTRO ACCIAIO 160-200 MESH	STEEL FILTER 160-200 MESH	FILTRE EN ACIER 160-200 MESH	STAHLFILTER 160-200 MESH
46	12312	GUARNIZIONE OR FILTRO AEA 10x2	O RING FOR WATER REFILL FILTER 10x2	JOINT OR FILTRE AUT.REM.EAU 10X2	OR DICHTUNG FUR WASSERFULLUNGFILTER

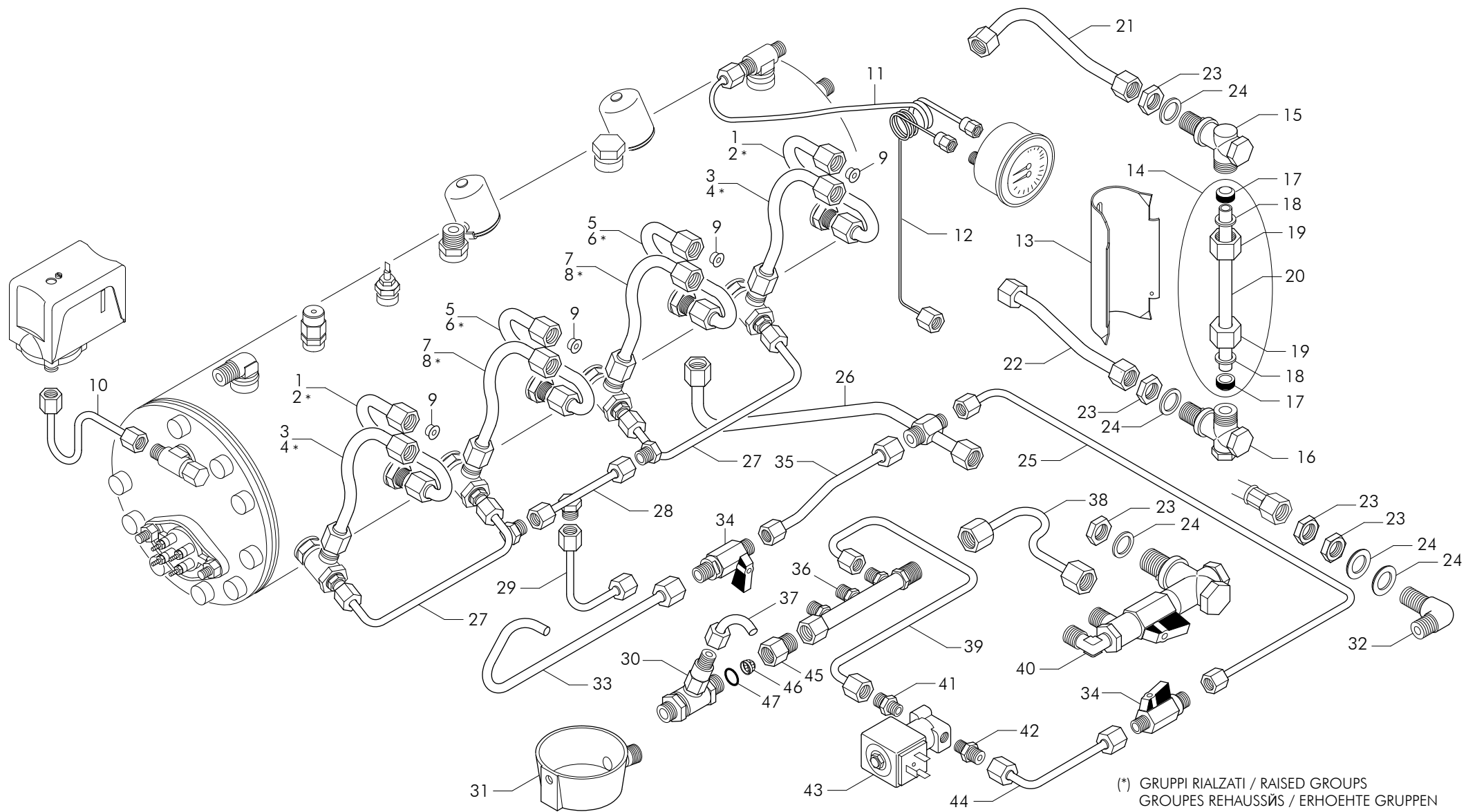


AEP 3GR

Pos	Code	Denominazione - IT -	Denomination - EN -	Denomination - FR -	Denomination - DE -
1	4652003934	TUBO D-10 L.210	TUBE D-10 L.210	TUYAU D-10 L.210	ROHR D-10 L.210
2	4652000487	TUBO D-10 L.205	TUBE D-10 L.205	TUYAU D-10 L.205	ROHR D-10 L.205
3	4652000245	TUBO D-10 L.165	TUBE D-10 L.165	TUYAU D-10 L.165	ROHR D-10 L.165
4	4652000488	TUBO D-10 L.200	TUBE D-10 L.200	TUYAU D-10 L.200	ROHR D-10 L.200
5	4652000214	TUBO D-10 L.195	TUBE D-10 L.195	TUYAU D-10 L.195	ROHR D-10 L.195
6	4652000489	TUBO D-10 L.240	TUBE D-10 L.240	TUYAU D-10 L.240	ROHR D-10 L.240
7	4652000272	TUBO D-10 L.135	TUBE D-10 L.135	TUYAU D-10 L.135	ROHR D-10 L.135
8	4652000490	TUBO D-10 L.180	TUBE D-10 L.180	TUYAU D-10 L.180	ROHR D-10 L.180
9	4623294001	STROZZATURA RICIRCOLO GR CTS D 2,5	CTS UNIT D 2,5 RECIRC. NECK	ETRANGLEMENT RECYCLAGE GR.D-2,5	ENGSTELLE UMWALZUNG D. 2,5
9	4623294002	STROZZATURA RICIRCOLO GR CTS D.3	CTS GROUP D.3 RECIRC. NECK	ETRANGLEMENT RECYCLAGE GR. D.3	ENGSTELLE UMWALZUNG D.3
9	4623294003	STROZZATURA RICIRCOLO GR CTS D 4	CTS UNIT D 4 RECIRC. NECK	ETRANGLEMENT RECYCLAGE GR.D.4	ENGSTELLE UMWALZUNG D. 4
9	4623294004	STROZZATURA RICIRCOLO GR CTS D 5	CTS UNIT D 5 RECIRC. NECK	ETRANGLEMENT RECYCLAGE GR.D.5	ENGSTELLE UMWALZUNG D.5
10	4652003932	TUBO D-6 L.165	TUBE D-6 L.165	TUYAU D-6 L.165	ROHR D-6 L.165
11	4652000414	TUBO D-4 L.800	TUBE D-4 L.800	TUYAU D-4 L.800	ROHR D-4 L.800
12	4652003057	TUBO D-2 L.1000	TUBE D-2 L.1000	TUYAU D-2 L.1000	ROHR D-2 L.1000
13	44002	COPRILIVELLO VERNICIATO BIANCO	LEVEL INDICATOR COVER PAINTED WHITE	COUVRE-NIVEAU LAQUE BLANC	NIVEAUDECKEL
14	56001	ASSIEME TUBO LIVELLO	LEVEL TUBE UNIT	ENSEMBLE TUBE DE NIVEAU	ROHRSATZ FUR NIVEAU
15	4653002	CORPO LIVELLO SUPERIORE	UPPER LEVEL BODY	CORPS DE NIVEAU SUPERIEUR	OBERNIVEAUKORPER
16	4656005	CORPO LIVELLO INFERIORE	LOWER LEVEL BODY UNIT	ENSEMBLE CORPS DE NIVEAU INFERIEUR	UNTER NIVEAUKORPER
17	12200	GUARNIZIONE 16x10x8	GASKET 16X10X8	JOINT 16X10X8	DICHTUNG 16x10x8
18	25652	RONDELLA OTTONE D17.8	BRASS WASHER D.17.8	RONDELLE LAITON D.17.8	MESSING-SCHEIBE D.17.8
19	25383	DADO OTTONE M20x1.5	BRASS NUT 20X1.5	ECROU LAITON 20X1.5	MESSING-MUTTER 20x1.5
20	21300	TUBO VETRO LIVELLO 11x8x170	GLASS LEVEL TUBE 11X8X170	TUBE NIVEAU EN VERRE 11X8X170	NIVEAU GLASROHR 11x8x170
21	4652002700	TUBO D-10 L.185	TUBE D-10 L.185	TUYAU D-10 L.185	ROHR D-10 L.185
22	4652000400	TUBO D-10 L.110	TUBE D-10 L.110	TUYAU D-10 L.110	ROHR D-10 L.110
23	25356	CONTRODADO OTTONE 3/8	BRASS LOCK NUT 3/8	CONTRE-ECROU LAITON 3/8	MESSING-GEGENMUTTER 3/8
24	25651	RONDELLA OTTONE 3/8	BRASS WASHER 3/8	RONDELLE LAITON 3/8	MESSINGSCHIEBE 3/8
25	4652001591	TUBO D-6 L.275	TUBE D-6 L.275	TUYAU D-6 L.275	ROHR D-6 L.275
26	4652003212	TUBO D-10 L.320	TUBE D-10 L.320	TUYAU D-10 L.320	ROHR D-10 L.320
27	4652000327	TUBO D.6 L.125	TUBE D.6 L.125	TUYAU D.6 L.125	ROHR D.6 L.125
28	4652000326	TUBO D-6 L.250	TUBE D-6 L.250	TUYAU D-6 L.250	ROHR D. 6 L.250
29	4652000233	TUBO D-6 L.230	TUBE D-6 L.230	TUYAU D-6 L.230	ROHR D-6 L.230
30	4652000362	TUBO D-8 L.255	TUBE D-8 L.255	TUYAU D-8 L.255	ROHR D-8 L.255
31	15502	VASCETTA SCARICO ROTONDA D 80	ROUND DRAIN BASIN D.80mm	CUVE A VIDANGER RONDE D.80mm	RUNDE ABFLUSSCHALE D.80mm
32	4643067	RACCORDO "L" 3/8x3/8	3/8X3/8 L FITTING	RACCORD L 3/8x3/8	ANSCHLUSS L 3/8x3/8
33	52000361	TUBO D-8 L.135	TUBE D-8 L.135	TUYAU D-8 L.135	ROHR D-8 L.135

AEP 3GR

Pos	Code	Denominazione - IT -	Denomination - EN -	Denomination - FR -	Denomination - DE -
34	4620354001	VALVOLA CHIUSURA L.40	PRESSURE RELEASE TAP BULK UNIT L.40	CLAPET FERMETURE AUT.ARRIVEE EAU	ABSPERRVENTIL x AUT.WASSERZUFUHR L.40
35	4656136004	BLOCCO DISTRIBUZ.2-3-4GR	DISTRIBUTION BLOCK 2-3-4GR	BLOC DISTRIBUTION 2-3-4GR	BLOCK VERTEILER 2-3-4GR
36	4652001351	TUBO D-6 L.170	TUBE D-6 L.170	TUYAU D-6 L.170	ROHR D-6 L.170
37	4620361	VALVOLA S.C.N.R. REGOLABILE	ADJUSTABLE S.C.N.R. VALVE	SOUPAPE S.C.N.R. REGLABLE	EINSTELLBARES VENTIL S.N.C.R.
38	4652001594	TUBO D-6 L.150	TUBE D-6 L.150	TUYAU D-6 L.150	ROHR D-6 L.150
39	4652001593	TUBO D-6 L.285	TUBE D-6 L.285	TUYAU D-6 L.285	ROHR D-6 L.285
40	4656134001	BLOCCETTO POMPA CW510L	UNIT PUMP CW510L	ENSEMBLE POMPE CW510L	PUMPENSATZ CW510L
41	4625707004	RACCORDO DRITTO 1/8x1/4	STRAIGHT CONNECTOR 1/8-1/4	RACCORD 1/8-1/4	ANSCHLUSS 1/8-1/4
42	4625707	RACCORDO 1/8x1/4 CW510L	CONNECTOR 1/8x1/4 CW510L	RACCORD 1/8x1/4 CW510L	ANSCHLUSS 1/8x1/4 CW510L
43	4618162004	ELETTROVALVOLA AEA 220-240V 50-60Hz NSF	SOL.VALVE WATER REFILL 220/240 50/60HZ	ELECTROVANNE REA 220/240V 50/60Hz	ELEKTROVENTIL AWZ 230/250 V 50/60 Hz
43	4618195	ELETTROVALVOLA AEA 110-120V 50-60Hz NSF	SOL.VALVE WATER REFILL 110/120V 50/60HZ	ELECTROVANNE REA 110/120V 50/60Hz NSF	ELEKTROVENTIL AWZ 110/120V 50/60HZ NSF
44	4652001592	TUBO D-6 L.85	TUBE D-6 L.85	TUYAU D-6 L.85	ROHR D-6 L.85
45	4625732100	RACCORDO 3/8Mx3/8F + SEDE FILTRO	FITTING 3/8Mx3/8F	RACCORD 3/8Mx3/8F	ANSCHLUSS 3/8Mx3/8F
46	10254	FILTRO ACCIAIO 160-200 MESH	STEEL FILTER 160-200 MESH	FILTRE EN ACIER 160-200 MESH	STAHLFILTER 160-200 MESH
47	12312	GUARNIZIONE OR FILTRO AEA 10x2	O RING FOR WATER REFILL FILTER 10x2	JOINT OR FILTRE AUT.REM.EAU 10X2	OR DICHTUNG FUR WASSERFULLUNGFILTER

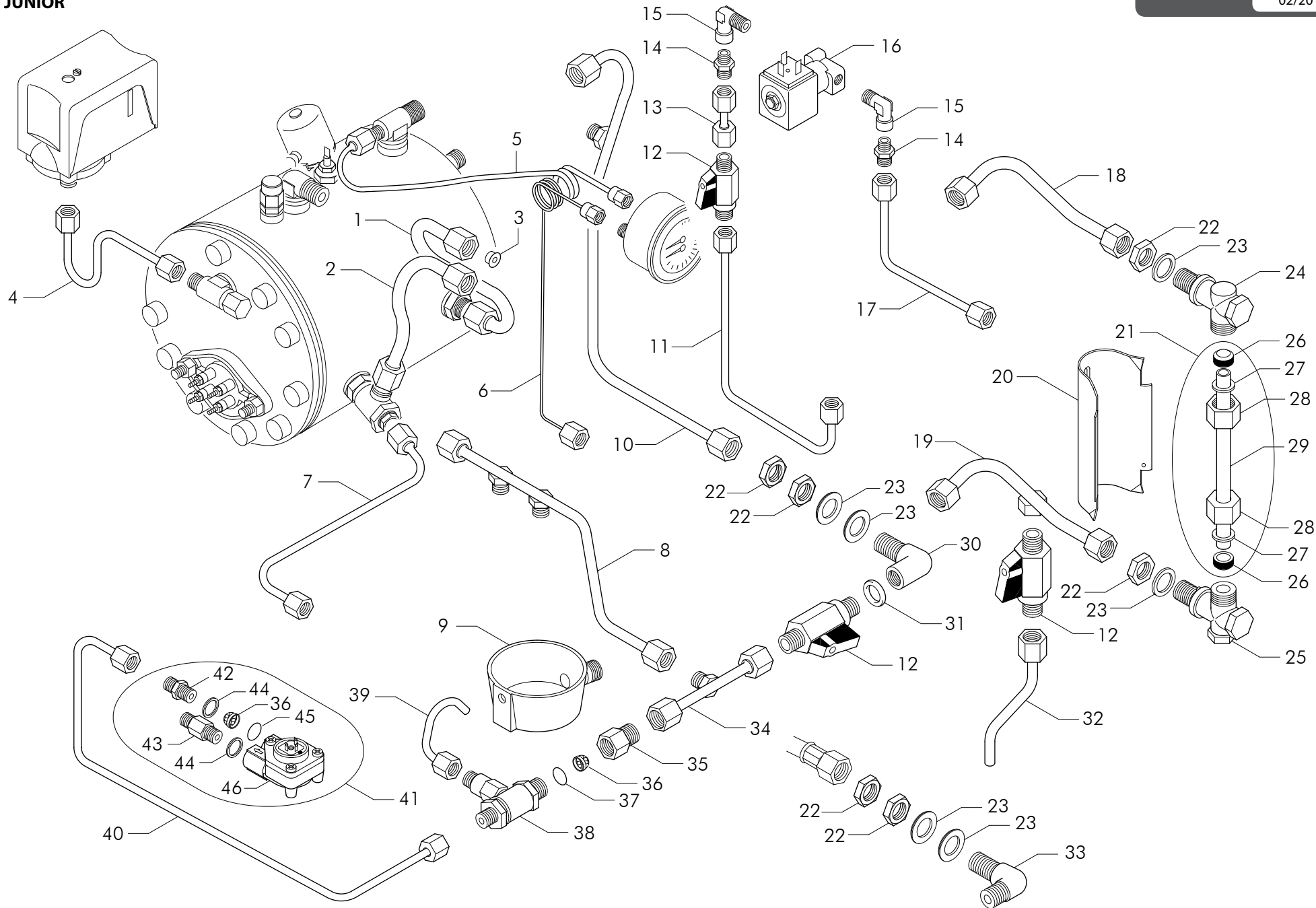


AEP 4GR

Pos	Code	Denominazione - IT -	Denomination - EN -	Denomination - FR -	Denomination - DE -
1	4652003934	TUBO D-10 L.210	TUBE D-10 L.210	TUYAU D-10 L.210	ROHR D-10 L.210
2	4652000487	TUBO D-10 L.205	TUBE D-10 L.205	TUYAU D-10 L.205	ROHR D-10 L.205
3	4652000245	TUBO D-10 L.165	TUBE D-10 L.165	TUYAU D-10 L.165	ROHR D-10 L.165
4	4652000488	TUBO D-10 L.200	TUBE D-10 L.200	TUYAU D-10 L.200	ROHR D-10 L.200
5	4652000214	TUBO D-10 L.195	TUBE D-10 L.195	TUYAU D-10 L.195	ROHR D-10 L.195
6	4652000489	TUBO D-10 L.240	TUBE D-10 L.240	TUYAU D-10 L.240	ROHR D-10 L.240
7	4652000272	TUBO D-10 L.135	TUBE D-10 L.135	TUYAU D-10 L.135	ROHR D-10 L.135
8	4652000490	TUBO D-10 L.180	TUBE D-10 L.180	TUYAU D-10 L.180	ROHR D-10 L.180
9	4623294001	STROZZATURA RICIRCOLO GR CTS D 2,5	CTS UNIT D 2,5 RECIRC. NECK	ETRANGLEMENT RECYCLAGE GR.D-2,5	ENGSTELLE UMWALZUNG D. 2,5
9	4623294002	STROZZATURA RICIRCOLO GR CTS D.3	CTS GROUP D.3 RECIRC. NECK	ETRANGLEMENT RECYCLAGE GR. D.3	ENGSTELLE UMWALZUNG D.3
9	4623294003	STROZZATURA RICIRCOLO GR CTS D 4	CTS UNIT D 4 RECIRC. NECK	ETRANGLEMENT RECYCLAGE GR.D.4	ENGSTELLE UMWALZUNG D. 4
9	4623294004	STROZZATURA RICIRCOLO GR CTS D 5	CTS UNIT D 5 RECIRC. NECK	ETRANGLEMENT RECYCLAGE GR.D.5	ENGSTELLE UMWALZUNG D.5
10	4652003932	TUBO D-6 L.165	TUBE D-6 L.165	TUYAU D-6 L.165	ROHR D-6 L.165
11	4652000429	TUBO D-4 L.880	TUBE D-4 L.880	TUYAU D-4 L.880	ROHR D-4 L.880
12	4652003059	TUBO D-2 L.1500	TUBE D-2 L.1500	TUYAU D-2 L.1500	ROHR D-2 L.1500
13	44002	COPRILIVELLO VERNICIATO BIANCO	LEVEL INDICATOR COVER PAINTED WHITE	COUVRE-NIVEAU LAQUE BLANC	NIVEAUDECKEL
14	56001	ASSIEME TUBO LIVELLO	LEVEL TUBE UNIT	ENSEMBLE TUBE DE NIVEAU	ROHRSATZ FUR NIVEAU
15	4653002	CORPO LIVELLO SUPERIORE	UPPER LEVEL BODY	CORPS DE NIVEAU SUPERIEUR	OBERNIVEAUKORPER
16	4656005	CORPO LIVELLO INFERIORE	LOWER LEVEL BODY UNIT	ENSEMBLE CORPS DE NIVEAU INFERIEUR	UNTER NIVEAUKORPER
17	12200	GUARNIZIONE 16x10x8	GASKET 16X10X8	JOINT 16X10X8	DICHTUNG 16x10x8
18	25652	RONDELLA OTTONE D17.8	BRASS WASHER D.17.8	RONDELLE LAITON D.17.8	MESSING-SCHEIBE D.17.8
19	25383	DADO OTTONE M20x1.5	BRASS NUT 20X1.5	ECROU LAITON 20X1.5	MESSING-MUTTER 20x1.5
20	21300	TUBO VETRO LIVELLO 11x8x170	GLASS LEVEL TUBE 11X8X170	TUBE NIVEAU EN VERRE 11X8X170	NIVEAU GLASROHR 11x8x170
21	4652002700	TUBO D-10 L.185	TUBE D-10 L.185	TUYAU D-10 L.185	ROHR D-10 L.185
22	4652000400	TUBO D-10 L.110	TUBE D-10 L.110	TUYAU D-10 L.110	ROHR D-10 L.110
23	25356	CONTRODADO OTTONE 3/8	BRASS LOCK NUT 3/8	CONTRE-ECROU LAITON 3/8	MESSING-GEGENMUTTER 3/8
24	25651	RONDELLA OTTONE 3/8	BRASS WASHER 3/8	RONDELLE LAITON 3/8	MESSINGSCHIEBE 3/8
25	4652001591	TUBO D-6 L.275	TUBE D-6 L.275	TUYAU D-6 L.275	ROHR D-6 L.275
26	4652003212	TUBO D-10 L.320	TUBE D-10 L.320	TUYAU D-10 L.320	ROHR D-10 L.320
27	4652000233	TUBO D-6 L.230	TUBE D-6 L.230	TUYAU D-6 L.230	ROHR D-6 L.230
28	4652000361	TUBO D-8 L.135	TUBE D-8 L.135	TUYAU D-8 L.135	ROHR D-8 L.135
29	4652000431	TUBO D-6 L.220	TUBE D-6 L.220	TUYAU D-6 L.220	ROHR D-6 L.220
30	20361	VALVOLA S.C.N.R. REGOLABILE	ADJUSTABLE S.C.N.R. VALVE	SOUPAPE S.C.N.R. REGLABLE	EINSTELLBARES VENTIL S.N.C.R.
31	15502	VASCHETTA SCARICO ROTONDA D 80	ROUND DRAIN BASIN D.80mm	CUVE A VIDANGER RONDE D.80mm	RUNDE ABFLUSSCHALE D.80mm
32	4643067	RACCORDO "L" 3/8x3/8	3/8X3/8 L FITTING	RACCORD L 3/8x3/8	ANSCHLUSS L 3/8x3/8
33	4652000362	TUBO D-8 L.255	TUBE D-8 L.255	TUYAU D-8 L.255	ROHR D-8 L.255

AEP 4GR

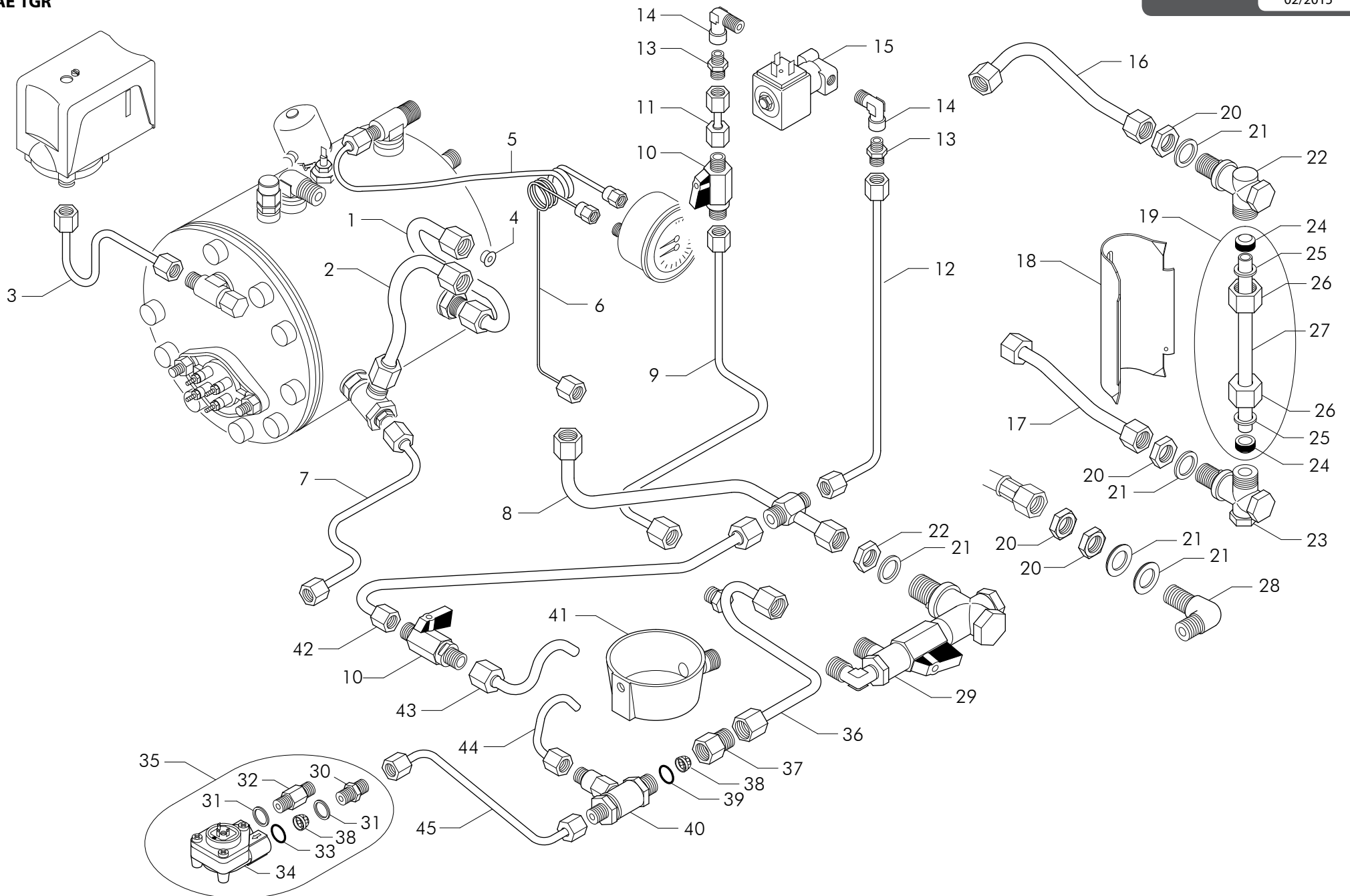
Pos	Code	Denominazione - IT -	Denomination - EN -	Denomination - FR -	Denomination - DE -
34	4620354001	VALVOLA CHIUSURA L.40	PRESSURE RELEASE TAP BULK UNIT L.40	CLAPET FERMETURE AUT.ARRIVEE EAU	ABSPERRVENTIL x AUT.WASSERZUFUHR L.40
35	4652000361	TUBO D-8 L.135	TUBE D-8 L.135	TUYAU D-8 L.135	ROHR D-8 L.135
36	4656136004	BLOCCO DISTRIBUZ.2-3-4GR	DISTRIBUTION BLOCK 2-3-4GR	BLOC DISTRIBUTION 2-3-4GR	BLOCK VERTEILER 2-3-4GR
37	4652001351	TUBO D-6 L.170	TUBE D-6 L.170	TUYAU D-6 L.170	ROHR D-6 L.170
38	4652001594	TUBO D-6 L.150	TUBE D-6 L.150	TUYAU D-6 L.150	ROHR D-6 L.150
39	4652001593	TUBO D-6 L.285	TUBE D-6 L.285	TUYAU D-6 L.285	ROHR D-6 L.285
40	4656134001	BLOCCETTO POMPA CW510L	UNIT PUMP CW510L	ENSEMBLE POMPE CW510L	PUMPENSATZ CW510L
41	4625707004	RACCORDO DRITTO 1/8x1/4	STRAIGHT CONNECTOR 1/8-1/4	RACCORD 1/8-1/4	ANSCHLUSS 1/8-1/4
42	4625707	RACCORDO 1/8x1/4 CW510L	CONNECTOR 1/8x1/4 CW510L	RACCORD 1/8x1/4 CW510L	ANSCHLUSS 1/8x1/4 CW510L
43	4618162004	ELETTROVALVOLA AEA 220-240V 50-60Hz NSF	SOL.VALVE WATER REFILL 220/240 50/60HZ	ELECTROVANNE REA 220/240V 50/60Hz	ELEKTROVENTIL AWZ 230/250 V 50/60 Hz
43	4618195	ELETTROVALVOLA AEA 110-120V 50-60Hz NSF	SOL.VALVE WATER REFILL 110/120V 50/60HZ	ELECTROVANNE REA 110/120V 50/60Hz NSF	ELEKTROVENTIL AWZ 110/120V 50/60HZ NSF
44	4652001592	TUBO D-6 L.85	TUBE D-6 L.85	TUYAU D-6 L.85	ROHR D-6 L.85
45	4625732100	RACCORDO 3/8Mx3/8F + SEDE FILTRO	FITTING 3/8Mx3/8F	RACCORD 3/8Mx3/8F	ANSCHLUSS 3/8Mx3/8F
46	10254	FILTRO ACCIAIO 160-200 MESH	STEEL FILTER 160-200 MESH	FILTRE EN ACIER 160-200 MESH	STAHLFILTER 160-200 MESH
47	12312	GUARNIZIONE OR FILTRO AEA 10x2	O RING FOR WATER REFILL FILTER 10x2	JOINT OR FILTRE AUT.REM.EAU 10X2	OR DICHTUNG FUR WASSERFULLUNGFILTER



SAE JUNIOR

Pos	Code	Denominazione - IT -	Denomination - EN -	Denomination - FR -	Denomination - DE -
1	4652001538	TUBO D-10 L.215	TUBE D-10 L.215	TUYAU D-10 L.215	ROHR D-10 L.215
2	4652000778	TUBO D-10 L.125	TUBE D-10 L.125	TUYAU D-10 L.125	ROHR D-10 L.125
3	4623294001	STROZZATURA RICIRCOLO GR CTS D 2,5	CTS UNIT D 2,5 RECIRC. NECK	ETRANGLEMENT RECYCLAGE GR.D-2,5	ENGSTELLE UMWALZUNG D. 2,5
3	4623294002	STROZZATURA RICIRCOLO GR CTS D.3	CTS GROUP D.3 RECIRC. NECK	ETRANGLEMENT RECYCLAGE GR. D.3	ENGSTELLE UMWALZUNG D.3
3	4623294003	STROZZATURA RICIRCOLO GR CTS D 4	CTS UNIT D 4 RECIRC. NECK	ETRANGLEMENT RECYCLAGE GR.D.4	ENGSTELLE UMWALZUNG D. 4
3	4623294004	STROZZATURA RICIRCOLO GR CTS D 5	CTS UNIT D 5 RECIRC. NECK	ETRANGLEMENT RECYCLAGE GR.D.5	ENGSTELLE UMWALZUNG D.5
4	4652000774	TUBO D-6 L.190	TUBE D-6 L.190	TUYAU D-6 L.190	ROHR D-6 L.190
5	4652002770	TUBO D-4 L.900	TUBE D-4 L.900	TUYAU D-4 L.900	ROHR D-4 L.900
6	4652003055	TUBO D-2 L.500	TUBE D-2 L.500	TUYAU D-2 L.500	ROHR D-2 L.500
7	4652000788	TUBO D-6 L.285	TUBE D-6 L.285	TUYAU D-6 L.285	ROHR D-6 L.285
8	4652000793	TUBO D-6 L.370	TUBE D-6 L.370	TUYAU D-6 L.370	ROHR D-6 L.370
9	15502	VASCHETTA SCARICO ROTONDA D 80	ROUND DRAIN BASIN D.80mm	CUVE A VIDANGER RONDE D.80mm	RUNDE ABFLUSSCHALE D.80mm
10	4652000775	TUBO D-10 L.430	TUBE D-10 L.430	TUYAU D-10 L.430	ROHR D-10 L.430
11	4652000790	TUBO D-6 L.400	TUBE D-6 L.400	TUYAU D-6 L.400	ROHR D-6 L.400
12	4620354001	VALVOLA CHIUSURA L.40	PRESSURE RELEASE TAP BULK UNIT L.40	CLAPET FERMETURE AUT.ARRIVEE EAU	ABSPERRVENTIL x AUT.WASSERZUFUHR L.40
13	4652001590	TUBO D-6 L.28	TUBE D-6 L.28	TUYAU D-6 L.28	ROHR D-6 L.28
14	4625707	RACCORDO 1/8x1/4 CW510L	CONNECTOR 1/8x1/4 CW510L	RACCORD 1/8x1/4 CW510L	ANSCHLUSS 1/8x1/4 CW510L
15	4723229103	RACCORDO 1/8-1/8	CONNECTOR 1/8-1/8	RACCORD 1/8-1/8	ANSCHLUSS 1/8-1/8
16	4618162004	ELETTROVALVOLA AEA 220-240V 50-60Hz NSF	SOL.VALVE WATER REFILL 220/240 50/60HZ	ELECTROVANNE REA 220/240V 50/60Hz	ELEKTROVENTIL AWZ 230/250 V 50/60 Hz
16	4618195	ELETTROVALVOLA AEA 110-120V 50-60Hz NSF	SOL.VALVE WATER REFILL 110/120V 50/60HZ	ELECTROVANNE REA 110/120V 50/60Hz NSF	ELEKTROVENTIL AWZ 110/120V 50/60Hz NSF
17	4652000773	TUBO D-6 L.155	TUBE D-6 L.155	TUYAU D-6 L.155	ROHR D-6 L.155
18	4652000776	TUBO D-10 L.200	TUBE D-10 L.200	TUYAU D-10 L.200	ROHR D-10 L.200
19	4652000777	TUBO D-10 L.190	TUBE D-10 L.190	TUYAU D-10 L.190	ROHR D-10 L.190
20	44002	COPRILIVELLO VERNICIATO BIANCO	LEVEL INDICATOR COVER PAINTED WHITE	COUVRE-NIVEAU LAQUE BLANC	NIVEAUDECKEL
21	56001	ASSIEME TUBO LIVELLO	LEVEL TUBE UNIT	ENSEMBLE TUBE DE NIVEAU	ROHRSATZ FUR NIVEAU
22	25356	CONTRODADO OTTONE 3/8	BRASS LOCK NUT 3/8	CONTRE-ECROU LAITON 3/8	MESSING-GEGENMUTTER 3/8
23	25651	RONDELLA OTTONE 3/8	BRASS WASHER 3/8	RONDELLE LAITON 3/8	MESSINGSCHIEBE 3/8
24	4653002	CORPO LIVELLO SUPERIORE	UPPER LEVEL BODY	CORPS DE NIVEAU SUPERIEUR	OBERNIVEAUKORPER
25	4656005	CORPO LIVELLO INFERIORE	LOWER LEVEL BODY UNIT	ENSEMBLE CORPS DE NIVEAU INFERIEUR	UNTER NIVEAUKORPER
26	12200	GUARNIZIONE 16x10x8	GASKET 16X10X8	JOINT 16X10X8	DICHTUNG 16x10x8
27	25652	RONDELLA OTTONE D17.8	BRASS WASHER D.17.8	RONDELLE LAITON D.17.8	MESSING-SCHIEBE D.17.8
28	25383	DADO OTTONE M20x1.5	BRASS NUT 20X1.5	ECROU LAITON 20X1.5	MESSING-MUTTER 20x1.5
29	21300	TUBO VETRO LIVELLO 11x8x170	GLASS LEVEL TUBE 11X8X170	TUBE NIVEAU EN VERRE 11X8X170	NIVEAU GLASROHR 11x8x170
30	4643067000	RACCORDO "L" 1/4F GASx3/8 GAS L.30 CW510L	1/4F GAS X 3/8 GAS L FITTING L.30	RACCORD L 1/4F GAZx3/8 GAZ L.30	ANSCHLUSS L 1/4F GAS x 3/8 GAS L. 30
31	12100	GUARNIZIONE CU/ALIM 1/4 18.7x13.2x2.5	CU GASKET 1/4 18.7X13.2X2.5	JOINT CU 1/4 18.7X13.2X2.5	CU DICHTUNG 1/4 18.7x13.2x2.5
32	4652000780	TUBO D-8 L.210	TUBE D-8 L.210	TUYAU D-8 L.210	ROHR D-8 L.210
33	4643067	RACCORDO "L" 3/8x3/8	3/8X3/8 L FITTING	RACCORD L 3/8x3/8	ANSCHLUSS L 3/8x3/8
34	4652000789	TUBO D-8 L.65	TUBE D-8 L.65	TUYAU D-8 L.65	ROHR D-8 L.65

Pos	Code	Denominazione - IT -	Denomination - EN -	Denomination - FR -	Denomination - DE -
35	4625732100	RACCORDO 3/8Mx3/8F + SEDE FILTRO	FITTING 3/8Mx3/8F	RACCORD 3/8Mx3/8F	ANSCHLUSS 3/8Mx3/8F
36	10254	FILTRO ACCIAIO 160-200 MESH	STEEL FILTER 160-200 MESH	FILTRE EN ACIER 160-200 MESH	STAHLFILTER 160-200 MESH
37	12312	GUARNIZIONE OR FILTRO AEA 10x2	O RING FOR WATER REFILL FILTER 10x2	JOINT OR FILTRE AUT.REM.EAU 10X2	OR DICHTUNG FUR WASSERFULLUNGFILTER
38	4620361	VALVOLA S.C.N.R. REGOLABILE	ADJUSTABLE S.C.N.R. VALVE	SOUPAPE S.C.N.R. REGLABLE	EINSTELLBARES VENTIL S.N.C.R.
39	4652001350	TUBO D-6 L.105	TUBE D-6 L.105	TUYAU D-6 L.105	ROHR D-6 L.105
40	4652000541	TUBO D-6 L.210	TUBE D-6 L.210	TUYAU D-6 L.210	ROHR D-6 L.210
41	4656122000	ASSIEME DOSATORE CW510L	DOSER KIT CW510L	KIT DOSEUR CW510L	DOSIERER CW510L
42	4625686	RACCORDO 1/4Mx1/4M	CONNECTOR 1/4Mx1/4M	RACCORD 1/4Mx1/4M	ANSCHLUSS 1/4Mx1/4M
43	4625708	RACCORDO 1/4x1/4 CW510L	1/4X1/4 CW510L FITTING	RACCORD 1/4X1/4 CW510L	ANSCHLUSS 1/4X1/4 CW510L
44	12153	GUARNIZIONE RAME 1/4 17x13.3x1.5	GASKET 1/4 17x13.3x1.5 COPPER	JOINT CUIVRE 1/4 17x13.3x1.5	KUPFERDICHTUNG 1/4 17x13.3x1.5
45	12329	GUARNIZIONE OR HNBR 7.66xW1.78	GASKET OR HNBR 7.66xW1.78	JOINT OR HNBR 7.66x1.78	OR DICHTUNG HNBR 7.66xW1.78
46	4618126	DOSATORE FLOWMETER	FLOWMETER DOSER	KIT DOSEUR	DOSIERER

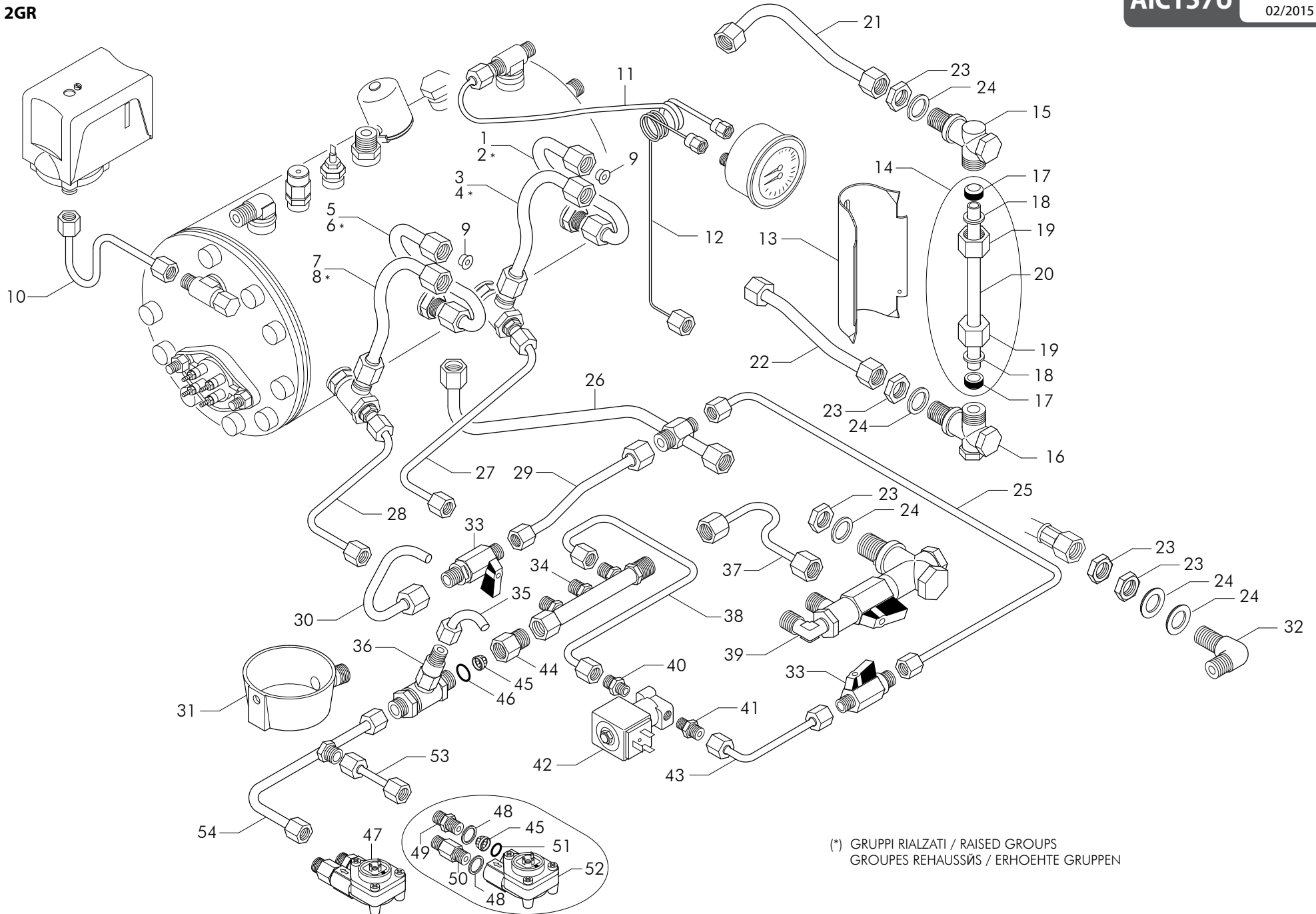


SAE 1GR

Pos	Code	Denominazione - IT -	Denomination - EN -	Denomination - FR -	Denomination - DE -
1	4652000481	TUBO D-10 L.215	TUBE D-10 L.215	TUYAU D-10 L.215	ROHR D-10 L.215
2	4652000482	TUBO D-10 L.185	TUBE D-10 L.185	TUYAU D-10 L.185	ROHR D-10 L.185
3	4652001225	TUBO D-6 L.220	TUBE D-6 L.220	TUYAU D-6 L.220	ROHR D-6 L.220
4	4623294001	STROZZATURA RICIRCOLO GR CTS D 2,5	CTS UNIT D 2,5 RECIRC. NECK	ETRANGLEMENT RECYCLAGE GR.D-2,5	ENGSTELLE UMWALZUNG D. 2,5
4	4623294002	STROZZATURA RICIRCOLO GR CTS D.3	CTS GROUP D.3 RECIRC. NECK	ETRANGLEMENT RECYCLAGE GR. D.3	ENGSTELLE UMWALZUNG D.3
4	4623294003	STROZZATURA RICIRCOLO GR CTS D 4	CTS UNIT D 4 RECIRC. NECK	ETRANGLEMENT RECYCLAGE GR.D.4	ENGSTELLE UMWALZUNG D. 4
4	4623294004	STROZZATURA RICIRCOLO GR CTS D 5	CTS UNIT D 5 RECIRC. NECK	ETRANGLEMENT RECYCLAGE GR.D.5	ENGSTELLE UMWALZUNG D.5
5	4652000419	TUBO D-4 L.635	TUBE D-4 L.635	TUYAU D-4 L.635	ROHR D-4 L.635
6	4652003055	TUBO D-2 L.500	TUBE D-2 L.500	TUYAU D-2 L.500	ROHR D-2 L.500
7	4652000244	TUBO D-6 L.280	TUBE D-6 L.280	TUYAU D-6 L.280	ROHR D-6 L.280
8	4652003212	TUBO D-10 L.320	TUBE D-10 L.320	TUYAU D-10 L.320	ROHR D-10 L.320
9	4652000426	TUBO D-6 L.550	TUBE D-6 L.550	TUYAU D-6 L.550	ROHR D-6 L.550
10	4620354001	VALVOLA CHIUSURA L.40	PRESSURE RELEASE TAP BULK UNIT L.40	CLAPET FERMETURE AUT.ARRIVEE EAU	ABSPERRVENTIL x AUT.WASSERZUFUHR L.40
11	4652001590	TUBO D-6 L.28	TUBE D-6 L.28	TUYAU D-6 L.28	ROHR D-6 L.28
12	4652000366	TUBO D-6 L.575	TUBE D-6 L.575	TUYAU D-6 L.575	ROHR D-6 L.575
13	4625707	RACCORDO 1/8x1/4 CW510L	CONNECTOR 1/8x1/4 CW510L	RACCORD 1/8x1/4 CW510L	ANSCHLUSS 1/8x1/4 CW510L
14	4723229103	RACCORDO 1/8-1/8	CONNECTOR 1/8-1/8	RACCORD 1/8-1/8	ANSCHLUSS 1/8-1/8
15	4618162004	ELETTROVALVOLA AEA 220-240V 50-60Hz NSF	SOL.VALVE WATER REFILL 220/240 50/60HZ	ELECTROVANNE REA 220/240V 50/60Hz	ELEKTROVENTIL AWZ 230/250 V 50/60 Hz
15	4618195	ELETTROVALVOLA AEA 110-120V 50-60Hz NSF	SOL.VALVE WATER REFILL 110/120V 50/60HZ	ELECTROVANNE REA 110/120V 50/60Hz NSF	ELEKTROVENTIL AWZ 110/120V 50/60Hz NSF
16	4652002700	TUBO D-10 L.185	TUBE D-10 L.185	TUYAU D-10 L.185	ROHR D-10 L.185
17	4652000400	TUBO D-10 L.110	TUBE D-10 L.110	TUYAU D-10 L.110	ROHR D-10 L.110
18	44002	COPRILIVELLO VERNICIATO BIANCO	LEVEL INDICATOR COVER PAINTED WHITE	COUVRE-NIVEAU LAQUE BLANC	NIVEAUDECKEL
19	56001	ASSIEME TUBO LIVELLO	LEVEL TUBE UNIT	ENSEMBLE TUBE DE NIVEAU	ROHRSATZ FUR NIVEAU
20	25356	CONTRODADO OTTONE 3/8	BRASS LOCK NUT 3/8	CONTRE-ECROU LAITON 3/8	MESSING-GEGENMUTTER 3/8
21	25651	RONDELLA OTTONE 3/8	BRASS WASHER 3/8	RONDELLE LAITON 3/8	MESSINGSCHIEBE 3/8
22	4653002	CORPO LIVELLO SUPERIORE	UPPER LEVEL BODY	CORPS DE NIVEAU SUPERIEUR	OBERNIVEAUKORPER
23	4656005	CORPO LIVELLO INFERIORE	LOWER LEVEL BODY UNIT	ENSEMBLE CORPS DE NIVEAU INFERIEUR	UNTER NIVEAUKORPER
24	12200	GUARNIZIONE 16x10x8	GASKET 16X10X8	JOINT 16X10X8	DICHTUNG 16x10x8
25	25652	RONDELLA OTTONE D17.8	BRASS WASHER D.17.8	RONDELLE LAITON D.17.8	MESSING-SCHIEBE D.17.8
26	25383	DADO OTTONE M20x1.5	BRASS NUT 20X1.5	ECROU LAITON 20X1.5	MESSING-MUTTER 20x1.5
27	21300	TUBO VETRO LIVELLO 11x8x170	GLASS LEVEL TUBE 11X8X170	TUBE NIVEAU EN VERRE 11X8X170	NIVEAU GLASROHR 11x8x170
28	4643067	RACCORDO "L" 3/8x3/8	3/8X3/8 L FITTING	RACCORD L 3/8x3/8	ANSCHLUSS L 3/8x3/8
29	4656134001	BLOCCETTO POMPA CW510L	UNIT PUMP CW510L	ENSEMBLE POMPE CW510L	PUMPENSATZ CW510L
30	4625686	RACCORDO 1/4Mx1/4M	CONNECTOR 1/4Mx1/4M	RACCORD 1/4Mx1/4M	ANSCHLUSS 1/4Mx1/4M
31	12153	GUARNIZIONE RAME 1/4 17x13.3x1.5	GASKET 1/4 17x13.3x1.5 COPPER	JOINT CUIVRE 1/4 17x13.3x1.5	KUPFERDICHTUNG 1/4 17x13.3x1.5
32	4625708	RACCORDO 1/4x1/4 CW510L	1/4X1/4 CW510L FITTING	RACCORD 1/4X1/4 CW510L	ANSCHLUSS 1/4X1/4 CW510L

SAE 1GR

Pos	Code	Denominazione - IT -	Denomination - EN -	Denomination - FR -	Denomination - DE -
33	12329	GUARNIZIONE OR HNBR 7.66xW1.78	GASKET OR HNBR 7.66xW1.78	JOINT OR HNBR 7.66x1.78	OR DICHTUNG HNBR 7.66xW1.78
34	4618126	DOSATORE FLOWMETER	FLOWMETER DOSER	KIT DOSEUR	DOSIERER
35	4656122000	ASSIEME DOSATORE CW510L	DOSER KIT CW510L	KIT DOSEUR CW510L	DOSIERER CW510L
36	4652000427	TUBO D-8 L.230	TUBE D-8 L.230	TUYAU D-8 L.230	ROHR D-8 L.230
37	4625732100	RACCORDO 3/8Mx3/8F + SEDE FILTRO	FITTING 3/8Mx3/8F	RACCORD 3/8Mx3/8F	ANSCHLUSS 3/8Mx3/8F
38	10254	FILTRO ACCIAIO 160-200 MESH	STEEL FILTER 160-200 MESH	FILTRE EN ACIER 160-200 MESH	STAHLFILTER 160-200 MESH
39	12312	GUARNIZIONE OR FILTRO AEA 10x2	O RING FOR WATER REFILL FILTER 10x2	JOINT OR FILTRE AUT.REM.EAU 10X2	OR DICHTUNG FUR WASSERFULLUNGFILTER
40	4620361	VALVOLA S.C.N.R. REGOLABILE	ADJUSTABLE S.C.N.R. VALVE	SOUPAPE S.C.N.R. REGLABLE	EINSTELLBARES VENTIL S.N.C.R.
41	15502	VASCHETTA SCARICO ROTONDA D 80	ROUND DRAIN BASIN D.80mm	CUVE A VIDANGER RONDE D.80mm	RUNDE ABFLUSSCHALE D.80mm
42	4652000365	TUBO D-8 L.280	TUBE D-8 L.280	TUYAU D-8 L.280	ROHR D-8 L.280
43	4652000425	TUBO D-6 L.115	TUBE D-6 L.115	TUYAU D-6 L.115	ROHR D-6 L.115
44	4652001350	TUBO D-6 L.105	TUBE D-6 L.105	TUYAU D-6 L.105	ROHR D-6 L.105
45	4652000425	TUBO D-6 L.115	TUBE D-6 L.115	TUYAU D-6 L.115	ROHR D-6 L.115

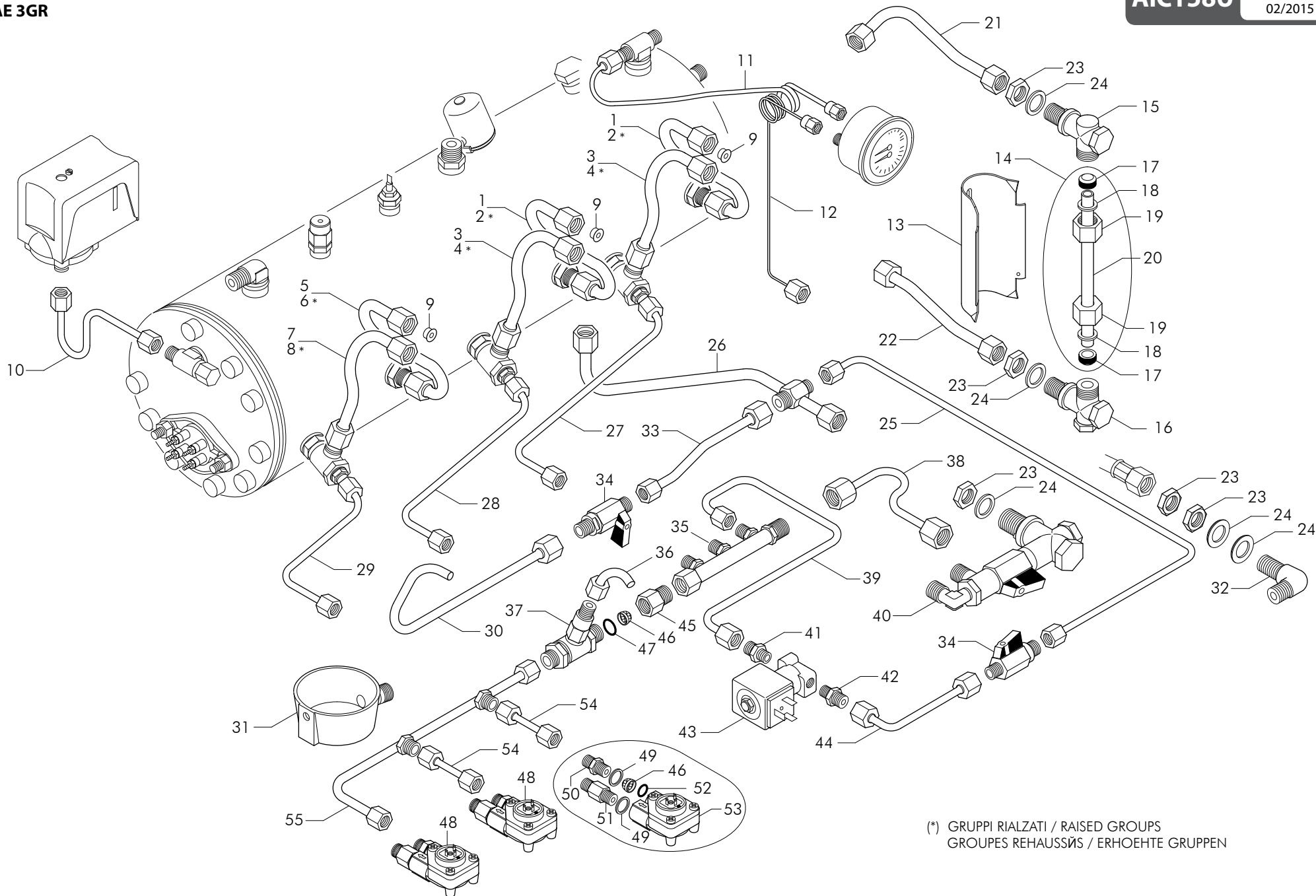


(*) GRUPPI RIALZATI / RAISED GROUPS
GROUPES REHAUSSÉS / ERHOEHTE GRUPPEN

SAE 2GR

Pos	Code	Denominazione - IT -	Denomination - EN -	Denomination - FR -	Denomination - DE -
1	4652003934	TUBO D-10 L.210	TUBE D-10 L.210	TUYAU D-10 L.210	ROHR D-10 L.210
2	4652000487	TUBO D-10 L.205	TUBE D-10 L.205	TUYAU D-10 L.205	ROHR D-10 L.205
3	4652000245	TUBO D-10 L.165	TUBE D-10 L.165	TUYAU D-10 L.165	ROHR D-10 L.165
4	4652000488	TUBO D-10 L.200	TUBE D-10 L.200	TUYAU D-10 L.200	ROHR D-10 L.200
5	4652000214	TUBO D-10 L.195	TUBE D-10 L.195	TUYAU D-10 L.195	ROHR D-10 L.195
6	4652000489	TUBO D-10 L.240	TUBE D-10 L.240	TUYAU D-10 L.240	ROHR D-10 L.240
7	4652000272	TUBO D-10 L.135	TUBE D-10 L.135	TUYAU D-10 L.135	ROHR D-10 L.135
8	4652000490	TUBO D-10 L.180	TUBE D-10 L.180	TUYAU D-10 L.180	ROHR D-10 L.180
9	4623294001	STROZZATURA RICIRCOLO GR CTS D 2,5	CTS UNIT D 2,5 RECIRC. NECK	ETRANGLEMENT RECYCLAGE GR.D-2,5	ENGSTELLE UMWALZUNG D. 2,5
9	4623294002	STROZZATURA RICIRCOLO GR CTS D.3	CTS GROUP D.3 RECIRC. NECK	ETRANGLEMENT RECYCLAGE GR. D.3	ENGSTELLE UMWALZUNG D.3
9	4623294003	STROZZATURA RICIRCOLO GR CTS D 4	CTS UNIT D 4 RECIRC. NECK	ETRANGLEMENT RECYCLAGE GR.D.4	ENGSTELLE UMWALZUNG D. 4
9	4623294004	STROZZATURA RICIRCOLO GR CTS D 5	CTS UNIT D 5 RECIRC. NECK	ETRANGLEMENT RECYCLAGE GR.D.5	ENGSTELLE UMWALZUNG D.5
10	4652003932	TUBO D-6 L.165	TUBE D-6 L.165	TUYAU D-6 L.165	ROHR D-6 L.165
11	4652000405	TUBO D-4 L.700	TUBE D-4 L.700	TUYAU D-4 L.700	ROHR D-4 L.700
12	4652003055	TUBO D-2 L.500	TUBE D-2 L.500	TUYAU D-2 L.500	ROHR D-2 L.500
13	44002	COPRILIVELLO VERNICIATO BIANCO	LEVEL INDICATOR COVER PAINTED WHITE	COUVRE-NIVEAU LAQUE BLANC	NIVEAUDECKEL
14	56001	ASSIEME TUBO LIVELLO	LEVEL TUBE UNIT	ENSEMBLE TUBE DE NIVEAU	ROHRSATZ FUR NIVEAU
15	4653002	CORPO LIVELLO SUPERIORE	UPPER LEVEL BODY	CORPS DE NIVEAU SUPERIEUR	OBERNIVEAUKORPER
16	4656005	CORPO LIVELLO INFERIORE	LOWER LEVEL BODY UNIT	ENSEMBLE CORPS DE NIVEAU INFERIEUR	UNTER NIVEAUKORPER
17	12200	GUARNIZIONE 16x10x8	GASKET 16X10X8	JOINT 16X10X8	DICHTUNG 16x10x8
18	25652	RONDELLA OTTONE D17.8	BRASS WASHER D.17.8	RONDELLE LAITON D.17.8	MESSING-SCHEIBE D.17.8
19	25383	DADO OTTONE M20x1.5	BRASS NUT 20X1.5	ECROU LAITON 20X1.5	MESSING-MUTTER 20x1.5
20	21300	TUBO VETRO LIVELLO 11x8x170	GLASS LEVEL TUBE 11X8X170	TUBE NIVEAU EN VERRE 11X8X170	NIVEAU GLASROHR 11x8x170
21	4652002700	TUBO D-10 L.185	TUBE D-10 L.185	TUYAU D-10 L.185	ROHR D-10 L.185
22	4652000400	TUBO D-10 L.110	TUBE D-10 L.110	TUYAU D-10 L.110	ROHR D-10 L.110
23	25356	CONTRODADO OTTONE 3/8	BRASS LOCK NUT 3/8	CONTRE-ECROU LAITON 3/8	MESSING-GEGENMUTTER 3/8
24	25651	RONDELLA OTTONE 3/8	BRASS WASHER 3/8	RONDELLE LAITON 3/8	MESSINGSCHIEBE 3/8
25	4652001591	TUBO D-6 L.275	TUBE D-6 L.275	TUYAU D-6 L.275	ROHR D-6 L.275
26	4652003212	TUBO D-10 L.320	TUBE D-10 L.320	TUYAU D-10 L.320	ROHR D-10 L.320
27	4652001595	TUBO D-6 L.460	TUBE D-6 L.460	TUYAU D-6 L.460	ROHR D-6 L.460
28	4652001596	TUBO D-6 L.355	TUBE D-6 L.355	TUYAU D-6 L.355	ROHR D-6 L.355
29	4652000361	TUBO D-8 L.135	TUBE D-8 L.135	TUYAU D-8 L.135	ROHR D-8 L.135
30	4652000267	TUBO D-8 L.100	TUBE D-8 L.100	TUYAU D-8 L.100	ROHR D. 8 L.100
31	15502	VASCHETTA SCARICO ROTONDA D 80	ROUND DRAIN BASIN D.80mm	CUVE A VIDANGER RONDE D.80mm	RUNDE ABFLUSSCHALE D.80mm
32	4643067	RACCORDO "L" 3/8x3/8	3/8X3/8 L FITTING	RACCORD L 3/8x3/8	ANSCHLUSS L 3/8x3/8
33	4620354001	VALVOLA CHIUSURA L.40	PRESSURE RELEASE TAP BULK UNIT L.40	CLAPET FERMETURE AUT.ARRIVEE EAU	ABSPERRVENTIL x AUT.WASSERZUFUHR L.40
34	4656136004	BLOCCO DISTRIBUZ.2-3-4GR	DISTRIBUTION BLOCK 2-3-4GR	BLOC DISTRIBUTION 2-3-4GR	BLOCK VERTEILER 2-3-4GR
35	4652002898	TUBO D-6 L.50	TUBE D-6 L.50	TUYAU D-6 L.50	ROHR D. 6 L.50

Pos	Code	Denominazione - IT -	Denomination - EN -	Denomination - FR -	Denomination - DE -
36	4620361	VALVOLA S.C.N.R. REGOLABILE	ADJUSTABLE S.C.N.R. VALVE	SOUPAPE S.C.N.R. REGLABLE	EINSTELLBARES VENTIL S.N.C.R.
37	4652001594	TUBO D-6 L.150	TUBE D-6 L.150	TUYAU D-6 L.150	ROHR D-6 L.150
38	4652001593	TUBO D-6 L.285	TUBE D-6 L.285	TUYAU D-6 L.285	ROHR D-6 L.285
39	4656134001	BLOCCETTO POMPA CW510L	UNIT PUMP CW510L	ENSEMBLE POMPE CW510L	PUMPENSATZ CW510L
40	4625707004	RACCORDO DRITTO 1/8x1/4	STRAIGHT CONNECTOR 1/8-1/4	RACCORD 1/8-1/4	ANSCHLUSS 1/8-1/4
41	4625707	RACCORDO 1/8x1/4 CW510L	CONNECTOR 1/8x1/4 CW510L	RACCORD 1/8x1/4 CW510L	ANSCHLUSS 1/8x1/4 CW510L
42	4618162004	ELETTROVALVOLA AEA 220-240V 50-60Hz NSF	SOL.VALVE WATER REFILL 220/240 50/60HZ	ELECTROVANNE REA 220/240V 50/60Hz	ELEKTROVENTIL AWZ 230/250 V 50/60 Hz
42	4618195	ELETTROVALVOLA AEA 110-120V 50-60Hz NSF	SOL.VALVE WATER REFILL 110/120V 50/60HZ	ELECTROVANNE REA 110/120V 50/60Hz NSF	ELEKTROVENTIL AWZ 110/120V 50/60HZ NSF
43	4652001592	TUBO D-6 L.85	TUBE D-6 L.85	TUYAU D-6 L.85	ROHR D-6 L.85
44	4625732100	RACCORDO 3/8Mx3/8F + SEDE FILTRO	FITTING 3/8Mx3/8F	RACCORD 3/8Mx3/8F	ANSCHLUSS 3/8Mx3/8F
45	10254	FILTRO ACCIAIO 160-200 MESH	STEEL FILTER 160-200 MESH	FILTRE EN ACIER 160-200 MESH	STAHLFILTER 160-200 MESH
46	12312	GUARNIZIONE OR FILTRO AEA 10x2	O RING FOR WATER REFILL FILTER 10x2	JOINT OR FILTRE AUT.REM.EAU 10X2	OR DICHTUNG FUR WASSERFULLUNGFILTER
47	4656122000	ASSIEME DOSATORE CW510L	DOSER KIT CW510L	KIT DOSEUR CW510L	DOSIERER CW510L
48	12153	GUARNIZIONE RAME 1/4 17x13.3x1.5	GASKET 1/4 17x13.3x1.5 COPPER	JOINT CUIVRE 1/4 17x13.3x1.5	KUPFERDICHTUNG 1/4 17x13.3x1.5
49	4625686	RACCORDO 1/4Mx1/4M	CONNECTOR 1/4Mx1/4M	RACCORD 1/4Mx1/4M	ANSCHLUSS 1/4Mx1/4M
50	4625708	RACCORDO 1/4x1/4 CW510L	1/4X1/4 CW510L FITTING	RACCORD 1/4X1/4 CW510L	ANSCHLUSS 1/4X1/4 CW510L
51	12329	GUARNIZIONE OR HNBR 7.66xW1.78	GASKET OR HNBR 7.66xW1.78	JOINT OR HNBR 7.66x1.78	OR DICHTUNG HNBR 7.66xW1.78
52	4618126	DOSATORE FLOWMETER	FLOWMETER DOSER	KIT DOSEUR	DOSIERER
53	4652000202	TUBO D-6 L.65	TUBE D-6 L.65	TUYAU D-6 L.65	ROHR D. 6 L.65
54	4652000320	TUBO D-8 L.215	TUBE D-8 L.215	TUYAU D-8 L.215	ROHR D-8 L.215



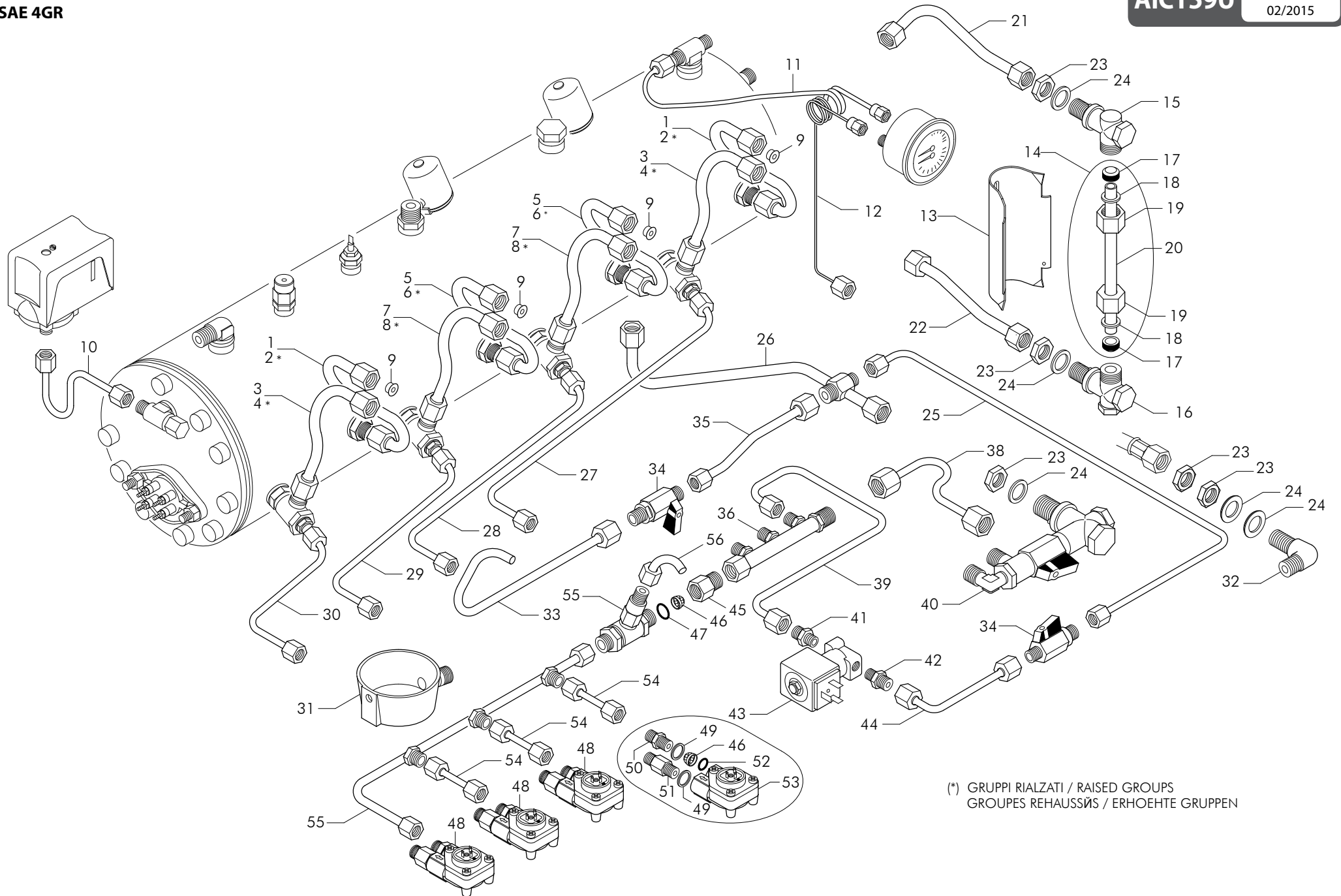
(*) GRUPPI RIALZATI / RAISED GROUPS
GROUPES REHAUSSÉS / ERHOEHTE GRUPPEN

SAE 3GR

Pos	Code	Denominazione - IT -	Denomination - EN -	Denomination - FR -	Denomination - DE -
1	4652003934	TUBO D-10 L.210	TUBE D-10 L.210	TUYAU D-10 L.210	ROHR D-10 L.210
2	4652000487	TUBO D-10 L.205	TUBE D-10 L.205	TUYAU D-10 L.205	ROHR D-10 L.205
3	4652000245	TUBO D-10 L.165	TUBE D-10 L.165	TUYAU D-10 L.165	ROHR D-10 L.165
4	4652000488	TUBO D-10 L.200	TUBE D-10 L.200	TUYAU D-10 L.200	ROHR D-10 L.200
5	4652000214	TUBO D-10 L.195	TUBE D-10 L.195	TUYAU D-10 L.195	ROHR D-10 L.195
6	4652000489	TUBO D-10 L.240	TUBE D-10 L.240	TUYAU D-10 L.240	ROHR D-10 L.240
7	4652000272	TUBO D-10 L.135	TUBE D-10 L.135	TUYAU D-10 L.135	ROHR D-10 L.135
8	4652000490	TUBO D-10 L.180	TUBE D-10 L.180	TUYAU D-10 L.180	ROHR D-10 L.180
9	4623294001	STROZZATURA RICIRCOLO GR CTS D 2,5	CTS UNIT D 2,5 RECIRC. NECK	ETRANGLEMENT RECYCLAGE GR.D-2,5	ENGSTELLE UMWALZUNG D. 2,5
9	4623294002	STROZZATURA RICIRCOLO GR CTS D.3	CTS GROUP D.3 RECIRC. NECK	ETRANGLEMENT RECYCLAGE GR. D.3	ENGSTELLE UMWALZUNG D.3
9	4623294003	STROZZATURA RICIRCOLO GR CTS D 4	CTS UNIT D 4 RECIRC. NECK	ETRANGLEMENT RECYCLAGE GR.D.4	ENGSTELLE UMWALZUNG D. 4
9	4623294004	STROZZATURA RICIRCOLO GR CTS D 5	CTS UNIT D 5 RECIRC. NECK	ETRANGLEMENT RECYCLAGE GR.D.5	ENGSTELLE UMWALZUNG D.5
10	4652003932	TUBO D-6 L.165	TUBE D-6 L.165	TUYAU D-6 L.165	ROHR D-6 L.165
11	4652000414	TUBO D-4 L.800	TUBE D-4 L.800	TUYAU D-4 L.800	ROHR D-4 L.800
12	4652003057	TUBO D-2 L.1000	TUBE D-2 L.1000	TUYAU D-2 L.1000	ROHR D-2 L.1000
13	44002	COPRILIVELLO VERNICIATO BIANCO	LEVEL INDICATOR COVER PAINTED WHITE	COUVRE-NIVEAU LAQUE BLANC	NIVEAUDECKEL
14	56001	ASSIEME TUBO LIVELLO	LEVEL TUBE UNIT	ENSEMBLE TUBE DE NIVEAU	ROHRSATZ FUR NIVEAU
15	4653002	CORPO LIVELLO SUPERIORE	UPPER LEVEL BODY	CORPS DE NIVEAU SUPERIEUR	OBERNIVEAUKORPER
16	4656005	CORPO LIVELLO INFERIORE	LOWER LEVEL BODY UNIT	ENSEMBLE CORPS DE NIVEAU INFERIEUR	UNTER NIVEAUKORPER
17	12200	GUARNIZIONE 16x10x8	GASKET 16X10X8	JOINT 16X10X8	DICHTUNG 16x10x8
18	25652	RONDELLA OTTONE D17.8	BRASS WASHER D.17.8	RONDELLE LAITON D.17.8	MESSING-SCHEIBE D.17.8
19	25383	DADO OTTONE M20x1.5	BRASS NUT 20X1.5	ECROU LAITON 20X1.5	MESSING-MUTTER 20x1.5
20	21300	TUBO VETRO LIVELLO 11x8x170	GLASS LEVEL TUBE 11X8X170	TUBE NIVEAU EN VERRE 11X8X170	NIVEAU GLASROHR 11x8x170
21	4652002700	TUBO D-10 L.185	TUBE D-10 L.185	TUYAU D-10 L.185	ROHR D-10 L.185
22	4652000400	TUBO D-10 L.110	TUBE D-10 L.110	TUYAU D-10 L.110	ROHR D-10 L.110
23	25356	CONTRODADO OTTONE 3/8	BRASS LOCK NUT 3/8	CONTRE-ECROU LAITON 3/8	MESSING-GEGENMUTTER 3/8
24	25651	RONDELLA OTTONE 3/8	BRASS WASHER 3/8	RONDELLE LAITON 3/8	MESSINGSCHIEBE 3/8
25	4652001591	TUBO D-6 L.275	TUBE D-6 L.275	TUYAU D-6 L.275	ROHR D-6 L.275
26	4652003212	TUBO D-10 L.320	TUBE D-10 L.320	TUYAU D-10 L.320	ROHR D-10 L.320
27	4652001599	TUBO D-6 L.600	TUBE D-6 L.600	TUYAU D-6 L.600	ROHR D-6 L.600
28	4652001595	TUBO D-6 L.460	TUBE D-6 L.460	TUYAU D-6 L.460	ROHR D-6 L.460
29	4652001596	TUBO D-6 L.355	TUBE D-6 L.355	TUYAU D-6 L.355	ROHR D-6 L.355
30	4652000362	TUBO D-8 L.255	TUBE D-8 L.255	TUYAU D-8 L.255	ROHR D-8 L.255
31	15502	VASCHETTA SCARICO ROTONDA D 80	ROUND DRAIN BASIN D.80mm	CUVE A VIDANGER RONDE D.80mm	RUNDE ABFLUSSCHALE D.80mm
32	4643067	RACCORDO "L" 3/8x3/8	3/8X3/8 L FITTING	RACCORD L 3/8x3/8	ANSCHLUSS L 3/8x3/8
33	52000361	TUBO D-8 L.135	TUBE D-8 L.135	TUYAU D-8 L.135	ROHR D-8 L.135

SAE 3GR

Pos	Code	Denominazione - IT -	Denomination - EN -	Denomination - FR -	Denomination - DE -
34	4620354001	VALVOLA CHIUSURA L.40	PRESSURE RELEASE TAP BULK UNIT L.40	CLAPET FERMETURE AUT.ARRIVEE EAU	ABSPERRVENTIL x AUT.WASSERZUFUHR L.40
35	4656136004	BLOCCO DISTRIBUZ.2-3-4GR	DISTRIBUTION BLOCK 2-3-4GR	BLOC DISTRIBUTION 2-3-4GR	BLOCK VERTEILER 2-3-4GR
36	4652001351	TUBO D-6 L.170	TUBE D-6 L.170	TUYAU D-6 L.170	ROHR D-6 L.170
37	4620361	VALVOLA S.C.N.R. REGOLABILE	ADJUSTABLE S.C.N.R. VALVE	SOUPAPE S.C.N.R. REGLABLE	EINSTELLBARES VENTIL S.N.C.R.
38	4652001594	TUBO D-6 L.150	TUBE D-6 L.150	TUYAU D-6 L.150	ROHR D-6 L.150
39	4652001593	TUBO D-6 L.285	TUBE D-6 L.285	TUYAU D-6 L.285	ROHR D-6 L.285
40	4656134001	BLOCCETTO POMPA CW510L	UNIT PUMP CW510L	ENSEMBLE POMPE CW510L	PUMPENSATZ CW510L
41	4625707004	RACCORDO DRITTO 1/8x1/4	STRAIGHT CONNECTOR 1/8-1/4	RACCORD 1/8-1/4	ANSCHLUSS 1/8-1/4
42	4625707	RACCORDO 1/8x1/4 CW510L	CONNECTOR 1/8x1/4 CW510L	RACCORD 1/8x1/4 CW510L	ANSCHLUSS 1/8x1/4 CW510L
43	4618162004	ELETTROVALVOLA AEA 220-240V 50-60Hz NSF	SOL.VALVE WATER REFILL 220/240 50/60HZ	ELECTROVANNE REA 220/240V 50/60Hz	ELEKTROVENTIL AWZ 230/250 V 50/60 Hz
43	4618195	ELETTROVALVOLA AEA 110-120V 50-60Hz NSF	SOL.VALVE WATER REFILL 110/120V 50/60HZ	ELECTROVANNE REA 110/120V 50/60Hz NSF	ELEKTROVENTIL AWZ 110/120V 50/60HZ NSF
44	4652001592	TUBO D-6 L.85	TUBE D-6 L.85	TUYAU D-6 L.85	ROHR D-6 L.85
45	4625732100	RACCORDO 3/8Mx3/8F + SEDE FILTRO	FITTING 3/8Mx3/8F	RACCORD 3/8Mx3/8F	ANSCHLUSS 3/8Mx3/8F
46	10254	FILTRO ACCIAIO 160-200 MESH	STEEL FILTER 160-200 MESH	FILTRE EN ACIER 160-200 MESH	STAHLFILTER 160-200 MESH
47	12312	GUARNIZIONE OR FILTRO AEA 10x2	O RING FOR WATER REFILL FILTER 10x2	JOINT OR FILTRE AUT.REM.EAU 10X2	OR DICHTUNG FUR WASSERFULLUNGFILTER
48	4656122000	ASSIEME DOSATORE CW510L	DOSER KIT CW510L	KIT DOSEUR CW510L	DOSIERER CW510L
49	12153	GUARNIZIONE RAME 1/4 17x13.3x1.5	GASKET 1/4 17x13.3x1.5 COPPER	JOINT CUIVRE 1/4 17x13.3x1.5	KUPFERDICHTUNG 1/4 17x13.3x1.5
50	4625686	RACCORDO 1/4Mx1/4M	CONNECTOR 1/4Mx1/4M	RACCORD 1/4Mx1/4M	ANSCHLUSS 1/4Mx1/4M
51	4625708	RACCORDO 1/4x1/4 CW510L	1/4X1/4 CW510L FITTING	RACCORD 1/4X1/4 CW510L	ANSCHLUSS 1/4X1/4 CW510L
52	12329	GUARNIZIONE OR HNBR 7.66xW1.78	GASKET OR HNBR 7.66xW1.78	JOINT OR HNBR 7.66x1.78	OR DICHTUNG HNBR 7.66xW1.78
53	4618126	DOSATORE FLOWMETER	FLOWMETER DOSER	KIT DOSEUR	DOSIERER
54	4652000202	TUBO D-6 L.65	TUBE D-6 L.65	TUYAU D-6 L.65	ROHR D. 6 L.65
55	4652000322	TUBO D-8 L.470	TUBE D-8 L.440	TUYAU D-8 L.445	ROHR D-8 L.445

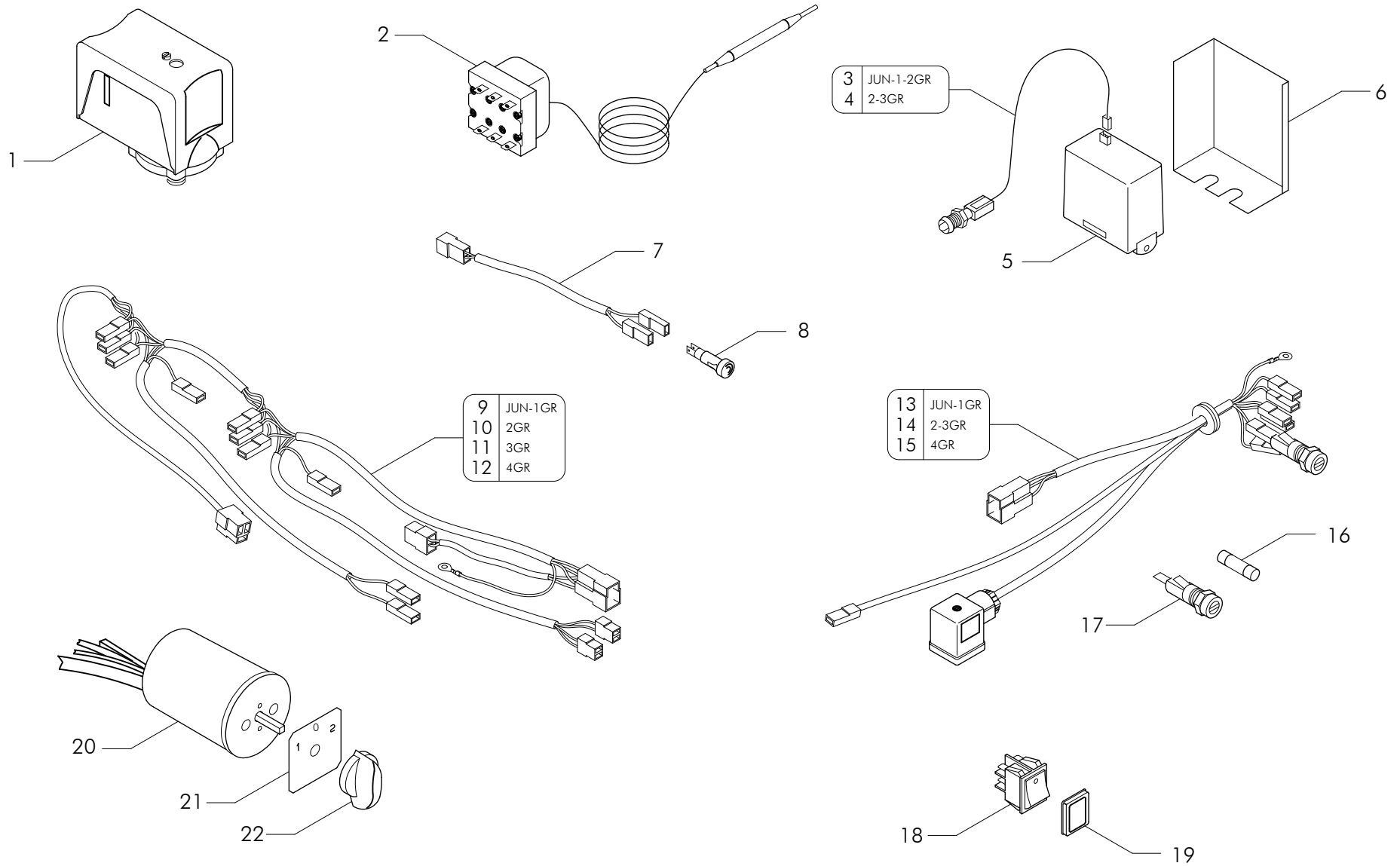


(*) GRUPPI RIALZATI / RAISED GROUPS
GROUPES REHAUSSÉS / ERHOEHTE GRUPPEN

SAE 4GR

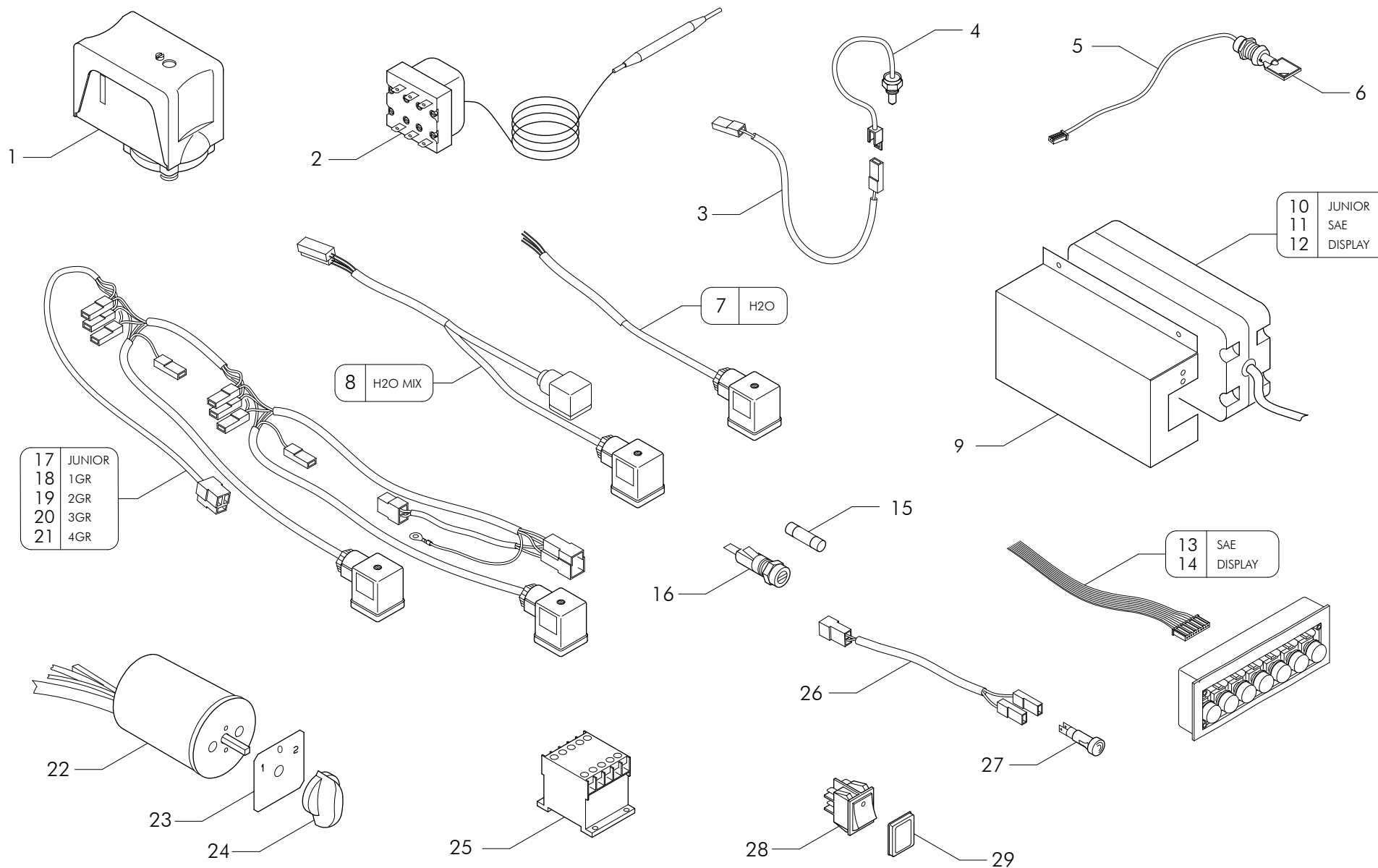
Pos	Code	Denominazione - IT -	Denomination - EN -	Denomination - FR -	Denomination - DE -
1	4652003934	TUBO D-10 L.210	TUBE D-10 L.210	TUYAU D-10 L.210	ROHR D-10 L.210
2	4652000487	TUBO D-10 L.205	TUBE D-10 L.205	TUYAU D-10 L.205	ROHR D-10 L.205
3	4652000245	TUBO D-10 L.165	TUBE D-10 L.165	TUYAU D-10 L.165	ROHR D-10 L.165
4	4652000488	TUBO D-10 L.200	TUBE D-10 L.200	TUYAU D-10 L.200	ROHR D-10 L.200
5	4652000214	TUBO D-10 L.195	TUBE D-10 L.195	TUYAU D-10 L.195	ROHR D-10 L.195
6	4652000489	TUBO D-10 L.240	TUBE D-10 L.240	TUYAU D-10 L.240	ROHR D-10 L.240
7	4652000272	TUBO D-10 L.135	TUBE D-10 L.135	TUYAU D-10 L.135	ROHR D-10 L.135
8	4652000490	TUBO D-10 L.180	TUBE D-10 L.180	TUYAU D-10 L.180	ROHR D-10 L.180
9	4623294001	STROZZATURA RICIRCOLO GR CTS D 2,5	CTS UNIT D 2,5 RECIRC. NECK	ETRANGLEMENT RECYCLAGE GR.D-2,5	ENGSTELLE UMWALZUNG D. 2,5
9	4623294002	STROZZATURA RICIRCOLO GR CTS D.3	CTS GROUP D.3 RECIRC. NECK	ETRANGLEMENT RECYCLAGE GR. D.3	ENGSTELLE UMWALZUNG D.3
9	4623294003	STROZZATURA RICIRCOLO GR CTS D 4	CTS UNIT D 4 RECIRC. NECK	ETRANGLEMENT RECYCLAGE GR.D.4	ENGSTELLE UMWALZUNG D. 4
9	4623294004	STROZZATURA RICIRCOLO GR CTS D 5	CTS UNIT D 5 RECIRC. NECK	ETRANGLEMENT RECYCLAGE GR.D.5	ENGSTELLE UMWALZUNG D.5
10	4652003932	TUBO D-6 L.165	TUBE D-6 L.165	TUYAU D-6 L.165	ROHR D-6 L.165
11	4652000429	TUBO D-4 L.880	TUBE D-4 L.880	TUYAU D-4 L.880	ROHR D-4 L.880
12	4652003059	TUBO D-2 L.1500	TUBE D-2 L.1500	TUYAU D-2 L.1500	ROHR D-2 L.1500
13	44002	COPRILIVELLO VERNICIATO BIANCO	LEVEL INDICATOR COVER PAINTED WHITE	COUVRE-NIVEAU LAQUE BLANC	NIVEAUDECKEL
14	56001	ASSIEME TUBO LIVELLO	LEVEL TUBE UNIT	ENSEMBLE TUBE DE NIVEAU	ROHRSATZ FUR NIVEAU
15	4653002	CORPO LIVELLO SUPERIORE	UPPER LEVEL BODY	CORPS DE NIVEAU SUPERIEUR	OBERNIVEAUKORPER
16	4656005	CORPO LIVELLO INFERIORE	LOWER LEVEL BODY UNIT	ENSEMBLE CORPS DE NIVEAU INFERIEUR	UNTER NIVEAUKORPER
17	12200	GUARNIZIONE 16x10x8	GASKET 16X10X8	JOINT 16X10X8	DICHTUNG 16x10x8
18	25652	RONDELLA OTTONE D17.8	BRASS WASHER D.17.8	RONDELLE LAITON D.17.8	MESSING-SCHEIBE D.17.8
19	25383	DADO OTTONE M20x1.5	BRASS NUT 20X1.5	ECROU LAITON 20X1.5	MESSING-MUTTER 20x1.5
20	21300	TUBO VETRO LIVELLO 11x8x170	GLASS LEVEL TUBE 11X8X170	TUBE NIVEAU EN VERRE 11X8X170	NIVEAU GLASROHR 11x8x170
21	4652002700	TUBO D-10 L.185	TUBE D-10 L.185	TUYAU D-10 L.185	ROHR D-10 L.185
22	4652000400	TUBO D-10 L.110	TUBE D-10 L.110	TUYAU D-10 L.110	ROHR D-10 L.110
23	25356	CONTRODADO OTTONE 3/8	BRASS LOCK NUT 3/8	CONTRE-ECROU LAITON 3/8	MESSING-GEGENMUTTER 3/8
24	25651	RONDELLA OTTONE 3/8	BRASS WASHER 3/8	RONDELLE LAITON 3/8	MESSINGSCHIEBE 3/8
25	4652001591	TUBO D-6 L.275	TUBE D-6 L.275	TUYAU D-6 L.275	ROHR D-6 L.275
26	4652003212	TUBO D-10 L.320	TUBE D-10 L.320	TUYAU D-10 L.320	ROHR D-10 L.320
27	4652000430	TUBO D-6 L.590	TUBE D-6 L.590	TUYAU D-6 L.590	ROHR D-6 L.590
28	4652000415	TUBO D-6 L.530	TUBE D-6 L.530	TUYAU D-6 L.530	ROHR D-6 L.530
29	4652000402	TUBO D-6 L.395	TUBE D-6 L.395	TUYAU D-6 L.395	ROHR D-6 L.395
30	4652000403	TUBO D-6 L.310	TUBE D-6 L.310	TUYAU D-6 L.310	ROHR D-6 L.310
31	15502	VASCHETTA SCARICO ROTONDA D 80	ROUND DRAIN BASIN D.80mm	CUVE A VIDANGER RONDE D.80mm	RUNDE ABFLUSSCHALE D.80mm
32	4643067	RACCORDO "L" 3/8x3/8	3/8X3/8 L FITTING	RACCORD L 3/8x3/8	ANSCHLUSS L 3/8x3/8
33	4652000362	TUBO D-8 L.255	TUBE D-8 L.255	TUYAU D-8 L.255	ROHR D-8 L.255
34	4620354001	VALVOLA CHIUSURA L.40	PRESSURE RELEASE TAP BULK UNIT L.40	CLAPET FERMETURE AUT.ARRIVEE EAU	ABSPERRVENTIL x AUT.WASSERZUFUHR L.40
35	4652000361	TUBO D-8 L.135	TUBE D-8 L.135	TUYAU D-8 L.135	ROHR D-8 L.135
36	4656136004	BLOCCO DISTRIBUZZ.2-3-4GR	DISTRIBUTION BLOCK 2-3-4GR	BLOC DISTRIBUTION 2-3-4GR	BLOCK VERTEILER 2-3-4GR
38	4652001594	TUBO D-6 L.150	TUBE D-6 L.150	TUYAU D-6 L.150	ROHR D-6 L.150

Pos	Code	Denominazione - IT -	Denomination - EN -	Denomination - FR -	Denomination - DE -
39	4652001593	TUBO D-6 L.285	TUBE D-6 L.285	TUYAU D-6 L.285	ROHR D-6 L.285
40	4656134001	BLOCCETTO POMPA CW510L	UNIT PUMP CW510L	ENSEMBLE POMPE CW510L	PUMPENSATZ CW510L
41	4625707004	RACCORDO DRITTO 1/8x1/4	STRAIGHT CONNECTOR 1/8-1/4	RACCORD 1/8-1/4	ANSCHLUSS 1/8-1/4
42	4625707	RACCORDO 1/8x1/4 CW510L	CONNECTOR 1/8x1/4 CW510L	RACCORD 1/8x1/4 CW510L	ANSCHLUSS 1/8x1/4 CW510L
43	4618162004	ELETTRIVALVOLA AEA 220-240V 50-60Hz NSF	SOL.VALVE WATER REFILL 220/240 50/60HZ	ELECTROVANNE REA 220/240V 50/60Hz	ELEKTROVENTIL AWZ 230/250 V 50/60 Hz
43	4618195	ELETTRIVALVOLA AEA 110-120V 50-60Hz NSF	SOL.VALVE WATER REFILL 110/120V 50/60HZ	ELECTROVANNE REA 110/120V 50/60Hz NSF	ELEKTROVENTIL AWZ 110/120V 50/60HZ NSF
44	4652001592	TUBO D-6 L.85	TUBE D-6 L.85	TUYAU D-6 L.85	ROHR D-6 L.85
45	4625732100	RACCORDO 3/8Mx3/8F + SEDE FILTRO	FITTING 3/8Mx3/8F	RACCORD 3/8Mx3/8F	ANSCHLUSS 3/8Mx3/8F
46	10254	FILTRO ACCIAIO 160-200 MESH	STEEL FILTER 160-200 MESH	FILTRE EN ACIER 160-200 MESH	STAHLFILTER 160-200 MESH
47	12312	GUARNIZIONE OR FILTRO AEA 10x2	O RING FOR WATER REFILL FILTER 10x2	JOINT OR FILTRE AUT.REM.EAU 10X2	OR DICHTUNG FUR WASSERFULLUNGFILTER
48	4656122000	ASSIEME DOSATORE CW510L	DOSEUR KIT CW510L	KIT DOSEUR CW510L	DOSIERER CW510L
49	12153	GUARNIZIONE RAME 1/4 17x13.3x1.5	GASKET 1/4 17x13.3x1.5 COPPER	JOINT CUIVRE 1/4 17x13.3x1.5	KUPFERDICHTUNG 1/4 17x13.3x1.5
50	4625686	RACCORDO 1/4Mx1/4M	CONNECTOR 1/4Mx1/4M	RACCORD 1/4Mx1/4M	ANSCHLUSS 1/4Mx1/4M
51	4625708	RACCORDO 1/4x1/4 CW510L	1/4X1/4 CW510L FITTING	RACCORD 1/4X1/4 CW510L	ANSCHLUSS 1/4X1/4 CW510L
52	12329	GUARNIZIONE OR HNBR 7.66xW1.78	GASKET OR HNBR 7.66xW1.78	JOINT OR HNBR 7.66x1.78	OR DICHTUNG HNBR 7.66xW1.78
53	4618126	DOSATORE FLOWMETER	FLOWMETER DOSER	KIT DOSEUR	DOSIERER
54	4652000202	TUBO D-6 L.65	TUBE D-6 L.65	TUYAU D-6 L.65	ROHR D. 6 L.65
55	20361	VALVOLA S.C.N.R. REGOLABILE	ADJUSTABLE S.C.N.R. VALVE	SOUPAPE S.C.N.R. REGLABLE	EINSTELLBARES VENTIL S.N.C.R.
55	4652000322	TUBO D-8 L.470	TUBE D-8 L.440	TUYAU D-8 L.445	ROHR D-8 L.445
56	4652001351	TUBO D-6 L.170	TUBE D-6 L.170	TUYAU D-6 L.170	ROHR D-6 L.170



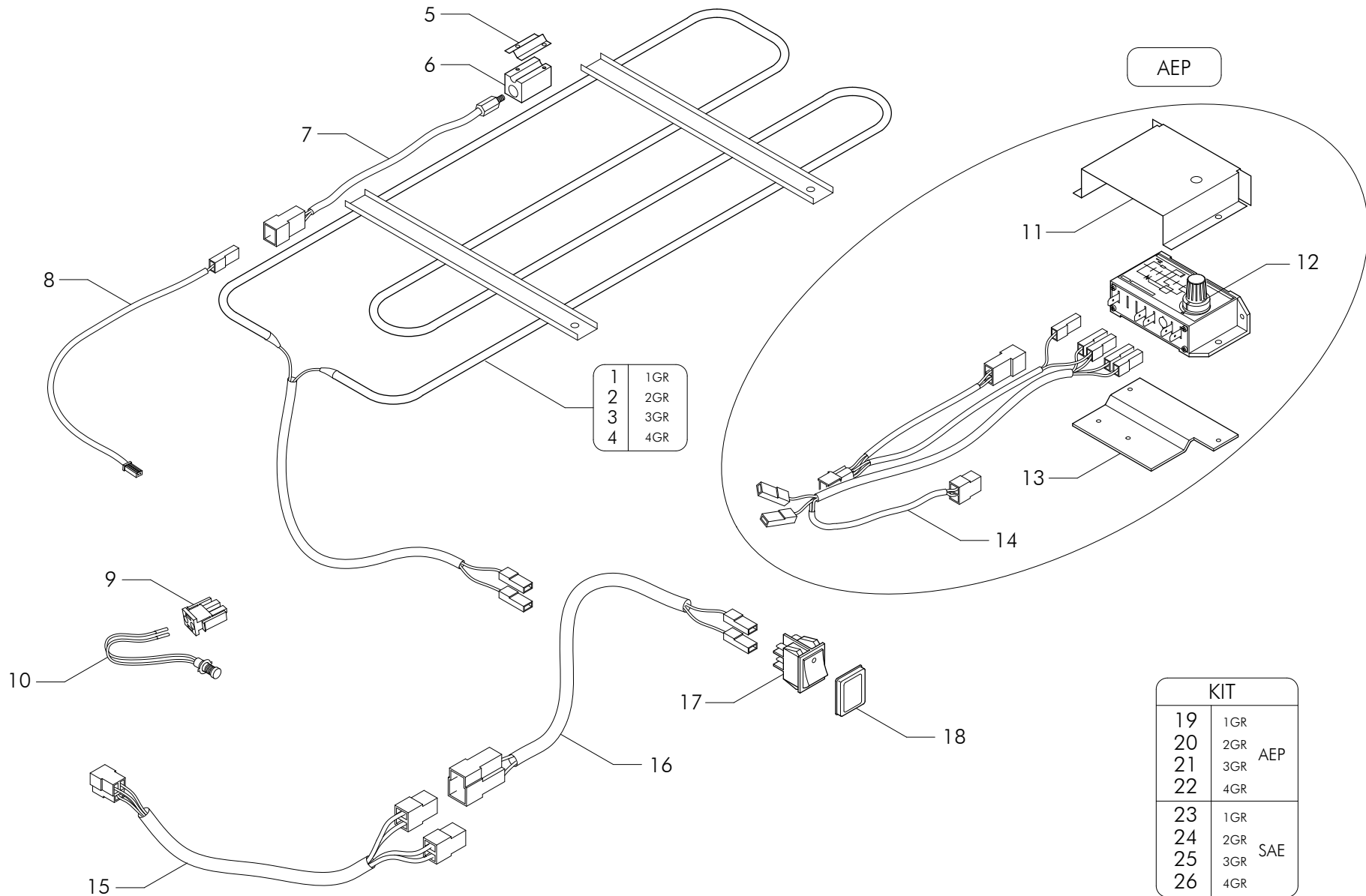
AEP

Pos	Code	Denominazione - IT -	Denomination - EN -	Denomination - FR -	Denomination - DE -
1	4620150	PRESSOSTATO SECCO SIRAI 30A CW510L	DRY PRESSURE SWITCH SIRAI 30A CW510L	PRESSOSTAT SEC SIRAI 30A CW510L	TROCKENDRUCKWACHTER SIRAI 30A CW510L
2	20300019	TERMOSTATO UL 160?C	THERMOSTAT UL 160?C	THERMOSTAT UL 160?C	THERMOSTAT UL 160?C
3	22625	CAVO 1/2GR RL30/TIMEOUT CON LED	1/2 CABLE TIMEOUT UNIT WITH LED	CABLE 1/2 GR. RL30/TIMEOUT LED	KABEL 1/2GR. RL30/TIMEOUT MIT LED
4	22626	CAVO 3/4GR RL30/TIMEOUT CON LED	3/4 CABLE TIMEOUT UNIT WITH LED	CABLE 3/4 GR. RL30/TIMEOUT LED	KABEL 3/4GR. RL30/TIMEOUT MIT LED
5	18080001	REGOLATORE LIVELLO RL30 220/240V	LEVEL CONTROL RL30 220/240V	CONTROLE NIVEAU RL30 220/240V	WASSERNIVEAUREGLER RL30 220/240V
5	18081001	REGOLATORE LIVELLO RL30 120V	LEVEL CONTROL RL30 120V	CONTROLE NIVEAU RL30 120V	WASSERNIVEAUREGLER RL30 120V
6	77691F	PROTEZIONE CENTRALINA RL30	RL30 GEARCASE PROTECTION	PROTECTION RL30	SCHUTZGITTER RL30
7	227181	CABLAGGIO PROLUNGA LAMPADINA	WIRING FOR LAMP	CABLE PROLONGE LAMPE	VERDRAHTUNG LAMPE
7	22718101	CABLAGGIO PROLUNGA LAMPADINA UL	WIRING FOR LAMP UL	CABLE PROLONGE LAMPE UL	VERDRAHTUNG LAMPE UL
8	21030	LAMPADA SPIA UL/CSA 250V 3322260179	WARNING LIGHT UL 250V	LAMPE TEMOIN UL 250V	KONTROLLAMPE UL 250V
9	2289M	CABLAGGIO AEP/1 + JUNIOR UL	CABLE AEP/1 + JUNIOR U.L.	CABLAGE AEP/1 + JUNIOR U.L.	AEP/1 VERDRAHTUNG + JUNIOR U.L.
10	2289N	CABLAGGIO AEP-EPU/2 UL	CABLE AEP/2 U.L.	CABLAGE AEP/2 U.L.	AEP/2 VERDRAHTUNG U.L.
11	2289P	CABLAGGIO AEP/3 UL	CABLE AEP/3 U.L.	CABLAGE AEP/3 U.L.	AEP/3 VERDRAHTUNG U.L.
12	2289P001	CABLAGGIO AEP/4 UL	CABLE AEP/4 U.L.	CABLAGE AEP/4 U.L.	AEP/4 VERDRAHTUNG U.L.
13	22838	CABLAGGIO A.E.A. 1GR ER+JUN*UL+C.S.A*	CABLE A.W.R. 1GR + JUN *U.L*	CABLAGE R.E.A. 1 GR + JUN *U.L*	KABEL A.W.F. 1 GR + JUN *U.L*
14	22839	CABLAGGIO A.E.A. 2/3GR ER *UL+C.S.A*	CABLE A.W.R. 2GR *U.L*	CABLAGE R.E.A. 2GR *U.L*	KABEL A.W.F. 2GR *U.L*
15	228401	CABLAGGIO A.E.A. 4GR ER *UL+C.S.A*	CABLE A.W.R. 4GR *UL*	CABLAGE R.E.A. 4GR *UL*	KABEL A.W.F. 4GR *UL*
16	19109003	FUSIBILE 15A ULKTK-R Class CC CSA/UL 10x38	FUSE 15A CSA/UL	FUSIBLE 15A CSA/UL	SICHERUNG 15A CSA/UL
17	19123001	PORTAFUSIBILE 20A 600V	FUSE HOLDER 20A 600V	PORTE-FUSIBLE 20A 600V	SICHERUNGSHALTER 20A 600V
18	18263	INTERRUTTORE BIP. NERO LED LUMIN.ROSSO	BIP. LUMIN. BLACK SWITCH	INTER.BIP.LUMIN. NOIR	ZWEIP.SCHALTER M. SCHWARZ LEUCHTE
19	19049	COPERTURA INTERRUTTORE	SWITCH COVER	PROTECTION INTERRUPTEUR	SCHALTER ABD.
20	8318104R	KIT COMMUTATORE BREMAS A20	KIT COMMUTATOR BREMAS A20.12	KIT COMMUTATEUR BREMAS A20.12	KIT UMSCHLATER BREMAS A20.12
20	8318105R	KIT COMMUTATORE BREMAS 32A	KIT COMMUTATOR BREMAS A32.12	KIT COMMUTATEUR BREMAS A32.12	KIT UMSCHALTER BREMAS A32.12
20	8318200R	KIT INTERRUTTORE BREMAS 20A	KIT BREMAS SWITCH A20.02	KIT INTERRUPTEUR BREMAS A20.02	KIT BREMAS SCHALTER A20.02
20	8318201R	KIT INTERRUTTORE BREMAS 20A	KIT BREMAS SWITCH A20.02	KIT INTERRUPTEUR BREMAS A20.03	KIT BREMAS SCHALTER A20.03
20	8318205R	KIT INTERRUTTORE BREMAS 20A	KIT BREMAS SWITCH A20.04	KIT INTERRUPTEUR BREMAS A20.04	KIT BREMAS SCHALTER A20.04
20	8318206R	KIT INTERRUTTORE BREMAS 32A	KIT BREMAS SWITCH A32.02	KIT INTERRUPTEUR BREMAS A32.02	KIT BREMAS SCHALTER A32.02
20	8318207R	KIT INTERRUTTORE BREMAS A32.03	KIT BREMAS SWITCH A32.03	KIT INTERRUPTEUR BREMAS A32.03	KIT BREMAS SCHALTER A32.03
20	8318208R	KIT INTERRUTTORE BREMAS 32A	KIT BREMAS SWITCH A32.04	KIT INTERRUPTEUR BREMAS A32.04	KIT BREMAS SCHALTER A32.04
21	29067	ETICHETTA ADESIVA '1-0-2' NERO PLASTICO 58	ADHESIVE LABEL '1-0-2' BLACK	ETIQ. ADHES. 1-0-2' NOIR	KLEBETIKETTE '1-0-2' SCHWARZ
21	29068	ETICHETTA ADESIVA '0-1' NERO PLASTICO 58x58	PLASTIC ADHESIVE PLATE 0-1 58X58	PLAQUETTE ADHESIVE 0-1 58X58	KLEBESCHILD 0-1 58x58
22	15271	MANOPOLA INTERR.GENERALE BREMAS	MAIN SWITCH HAND GRIP	MANETTE INTERR. GENERAL	HAUPTSCHALTERGRIF



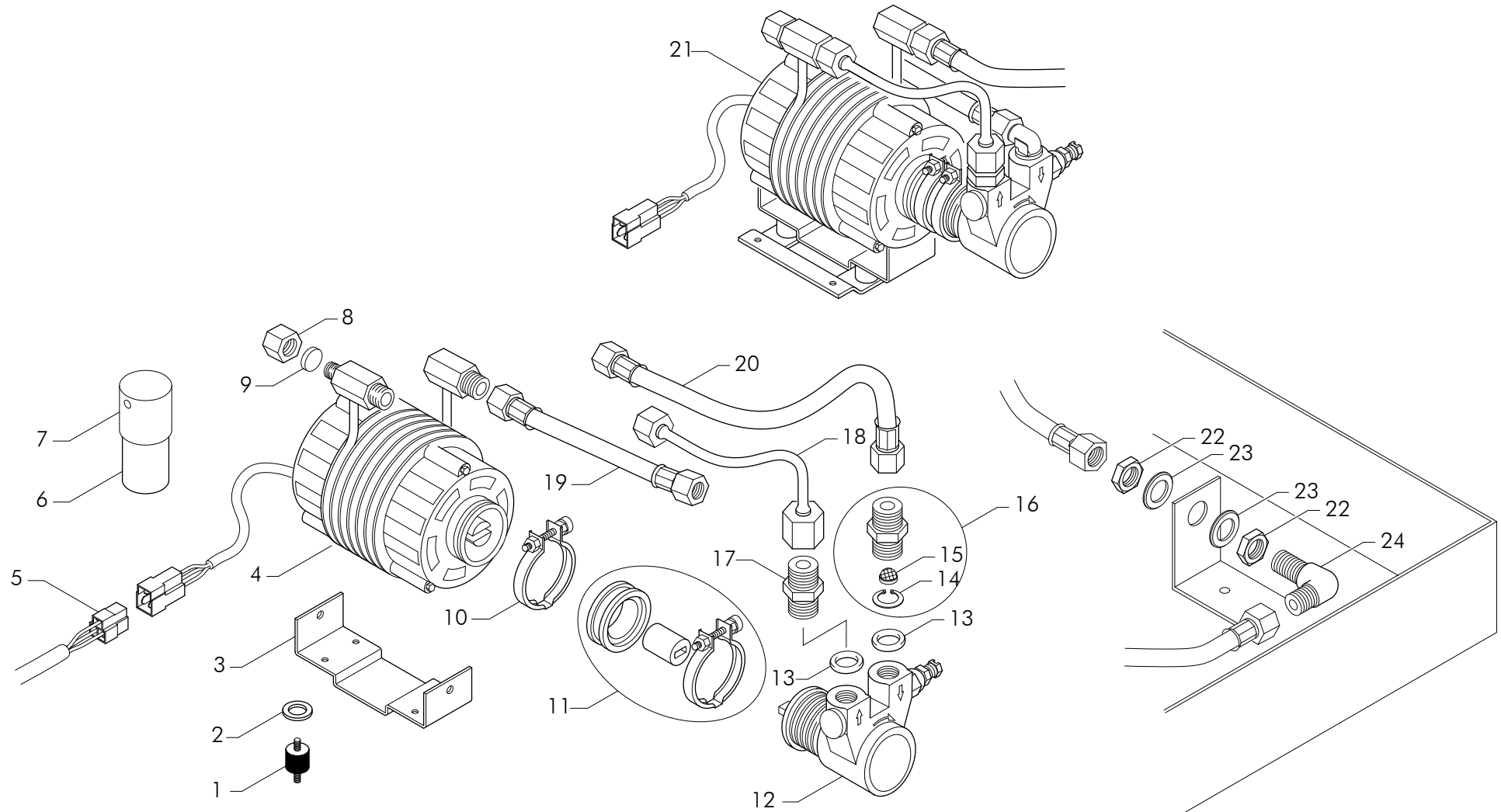
SAE - DISPLAY

Pos	Code	Denominazione - IT -	Denomination - EN -	Denomination - FR -	Denomination - DE -
1	4620150	PRESSOSTATO SECCO SIRAI 30A CW510L	DRY PRESSURE SWITCH SIRAI 30A CW510L	PRESSOSTAT SEC SIRAI 30A CW510L	TROCKENDRUCKWACHTER SIRAI 30A CW510L
2	20300019	TERMOSTATO UL 160?C	THERMOSTAT UL 160?C	THERMOSTAT UL 160?C	THERMOSTAT UL 160?C
3	22715900	CABLAGGIO SONDA CALDAIA	CABLE PROBE-BOILER	CABLE FICHE-CHAUDIERE	KABEL ME?SPITZE-KESSEL
4	20306	TERMOSTATO SONDA NTC ES 13	THERMOSTAT NTC ES 13	THERMOSTAT NTC ES 13	THERMOSTAT NTC ES 13
5	22723023	CAVO L.70 INTERRUPTORE PROGRAMMAZIONE	CABLE L.70 KEY PROGRAMM SWITCH	CABLE L.70 POUR INT.PROGRAMMATION	KABEL L.70 FUR PROGRAMM SCHALTER
6	22723022	INTERRUPTORE PROGRAMMAZIONE A CHIAVE	PROGRAMM SWITCH	INTER. PROGRAMMATION	PROGRAMM SCHALTER
7	22719013	CABL.THE AUT.SAE/EVD PG9 1>4GR UL	AUT. TEA WIRING SAE/EVD PG9 1>4GR UL	CABLAGE THE AUT.SAE/EVD PG9 1>4GR UL	KABEL TEE AUT.SAE/EVD PG9 1>4GR UL
8	22719031	CABLAGGIO H2O/MIX CONN.182 SAE 2>3GR UL	CABLING H2O/MIX SAE 1-3 UNITS	CABLE EAU/MIX SAE 1-3GR DV/AR	VERLABELUNG H2O/MIX SAE 1-3 GR.
9	78151	SUPPORTO CENTRALINA	CONTROL UNIT SUPPORT	SUPPORT CENTRALE	STEUERUNG-HALTER
10	18090065	CENTRALINA 1GR JUN 120V	CONTROL BOX 1GR JUNIOR 120V	CENTRALE 1GR/JUN 120V	MIKROP.STEUERUNG 1GR/JUN 120V
10	18090066	CENTRALINA 1GR JUN 953707G00 230V	GEARCASE 1GR/JUN 953707G00 230V	CENTRALE 1GR/JUN 953707G00 230V	MIKROP.STEUERUNG 1GR/JUN 953707G00 230V
11	18090047	CENTRALINA 1-3GR 120V PLUS1	CONTROL BOX 1-3GR 120V PLUS1	CENTRALE 1/3 120V PLUS1	MIKROP. STEUERUNG 1-3 GRUPPING 120V
11	18090048	CENTRALINA 1-3GR 230V PLUS1	CONTROL BOX 1-3GR 230V PLUS1	CENTRALE 1/3 230V PLUS1	MIKROP. STEUERUNG 1-3 GRUPPING 230V
12	18090079	CENTRALINA 1-4GR 120V PLUS2	GEARCASE 1-4GR 120V PLUS2	CENTRALE 1-4GR 120V PLUS2	STEUERUNG 1-4GR 120V PLUS2
12	18090080	CENTRALINA 1-4GR 230V PLUS2	GEARCASE 1-4GR 230V PLUS2	CENTRALE 1-4GR 230V PLUS2	STEUERUNG 1-4GR 230V PLUS2
13	22627	CAVO PULSANTIERA 10 POLI 80CM	80 CM CONNECTOR FOR P.BUTTON PANEL	CABLE CLAVIER 10 POLES 80 CM	KABEL BEDIENBL. 10 POLIG 80CM
13	22628	CAVO PULSANTIERA 10 POLI 140CM	140 CM CABLE FOR P.BUTTON PANEL	CABLE CLAVIER 10 POLES 140 CM	KABEL BEDIENBL. 10 POLIG 140CM
14	22554007	CAVO MULTIVIE DISPLAY L.140	RIBBON CABLE DISPLAY L.140	CABLAGE DISPLAY L.140	KABEL DISPLAY L.140
15	19109003	FUSIBILE 15A ULKTK-R Class CC CSA/UL 10x38	FUSE 15A CSA/UL	FUSIBLE 15A CSA/UL	SICHERUNG 15A CSA/UL
16	19123001	PORTAFUSIBILE 20A 600V	FUSE HOLDER 20A 600V	PORTE-FUSIBLE 20A 600V	SICHERUNGSHALTER 20A 600V
17	22802991	CABLAGGIO SAE/JUNIOR UL	CABLE SAE/JUNIOR UL	CABLAGE SAE/JUNIOR UL	VERKABELUNG SAE/JUNIOR UL
18	22803016	CABLAGGIO SAE/1 UL	CABLE SAE/1 UL	CABLAGE SAE/1 UL	VERKABELUNG SAE/1
19	22803017	CABLAGGIO SAE/2 UL	CABLE SAE/2 UL	CABLAGE SAE/2 UL	VERKABELUNG SAE/2 UL
20	22803018	CABLAGGIO SAE/3 UL	CABLE SAE/3 UL	CABLAGE SAE/3 UL	VERKABELUNG SAE/3 UL
21	22803019	CABLAGGIO SAE/4 UL	CABLE SAE/4 UL	CABLAGE SAE/4 UL	VERKABELUNG SAE/4 UL
22	8318104R	KIT COMMUTATORE BREMAS A20	KIT COMMUTATOR BREMAS A20.12	KIT COMMUTATEUR BREMAS A20.12	KIT UMSCHLATER BREMAS A20.12
22	8318105R	KIT COMMUTATORE BREMAS 32A	KIT COMMUTATOR BREMAS A32.12	KIT COMMUTATEUR BREMAS A32.12	KIT UMSCHALTER BREMAS A32.12
23	29067	ETICHETTA ADESIVA '1-0-2' NERO PLASTICO 58	ADHESIVE LABEL '1-0-2' BLACK	ETIQ. ADHES. 1-0-2' NOIR	KLEBEETIKETTE '1-0-2'SCHWARZ
24	15271	MANOPOLA INTERR.GENERALE BREMAS	MAIN SWITCH HAND GRIP	MANETTE INTERR. GENERAL	HAUPTSCHALTERGRIF
25	20299003	TELERUTTORE AF16 30A 100/250V	RELAY SWITCH AF16 30A 100/250V	TELERUPTEUR AF16 30A 230/240V	CONTROL SWITCH AF16 30A 230/240V
25	20299004	TELERUTTORE 120V	RELAY SWITCH 120V	TELERUPTEUR 120V	CONTROL SWITCH 120V
26	227181	CABLAGGIO PROLUNGA LAMPADINA	WIRING FOR LAMP	CABLE PROLONGE LAMPE	VERDRAHTUNG LAMPE
26	22718101	CABLAGGIO PROLUNGA LAMPADINA UL	WIRING FOR LAMP UL	CABLE PROLONGE LAMPE UL	VERDRAHTUNG LAMPE UL
27	21004	LAMPADA SPIA UL 110V	WARNING LIGHT UL 110V	LAMPE TEMOIN UL 110V	KONTROLLAMPE UL 110V
27	21030	LAMPADA SPIA UL/CSA 250V 3322260179	WARNING LIGHT UL 250V	LAMPE TEMOIN UL 250V	KONTROLLAMPE UL 250V
28	18263	INTERRUPTORE BIP. NERO LED LUMIN.ROSSO	BIP. LUMIN. BLACK SWITCH	INTER.BIP.LUMIN. NOIR	ZWEIP.SCHALTER M. SCHWARZ LEUCHTE
29	19049	COPERTURA INTERRUPTORE	SWITCH COVER	PROTECTION INTERRUPTEUR	SCHALTER ABD.

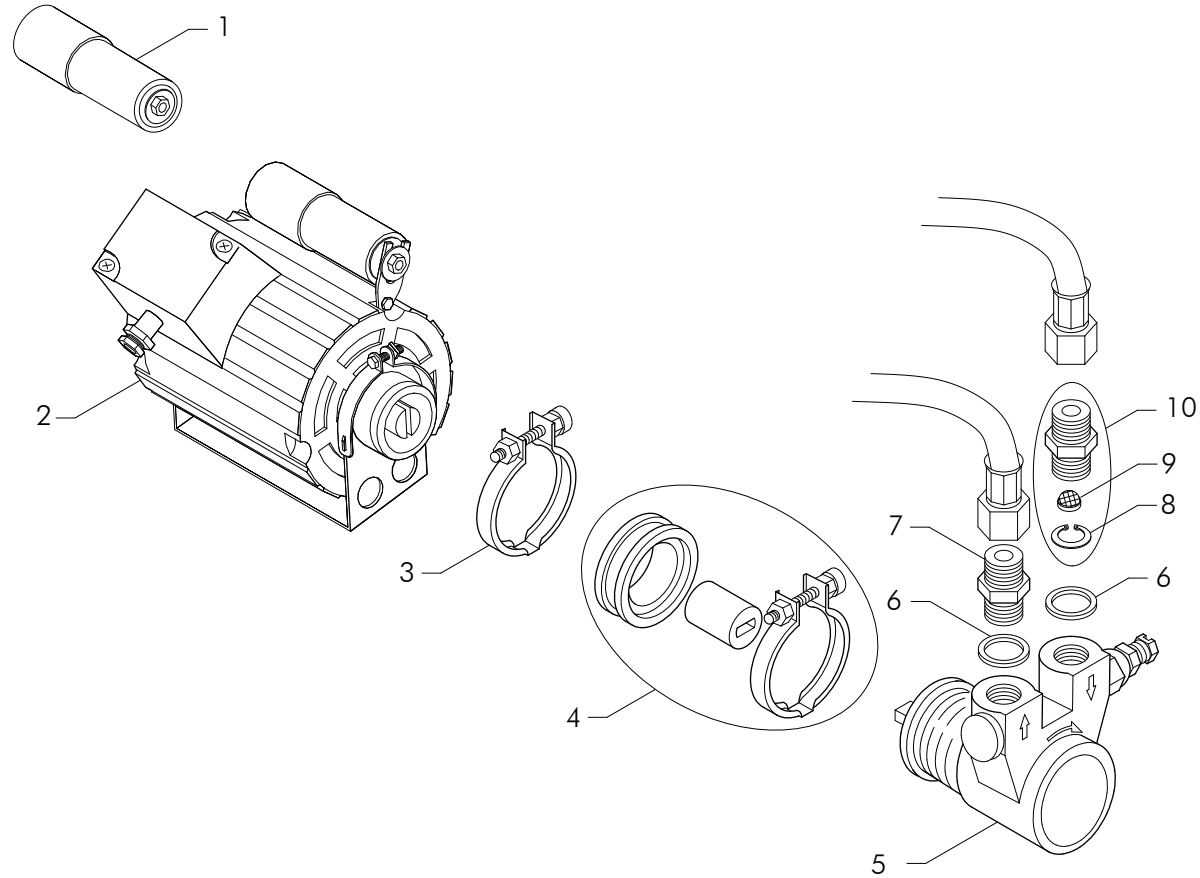


SCALDATAZZE - CUP HEATING - CHAUFFE TASSES - TASSENWARMER

Pos	Code	Denominazione - IT -	Denomination - EN -	Denomination - FR -	Denomination - DE -
1	17019003	RESISTENZA 1GR 230V 100W	HEATING ELEMENT 1GR 230V 100W	RESISTANCE 1GR 230V 100W	WIDERSTAND 1GR 230V 100W
1	17019004	RESISTENZA 1GR 120V 100W	HEATING ELEMENT 1GR 120V 100W	RESISTANCE 1GR 120V 100W	WIDERSTAND 1GR 120V 100W
2	17020	RESISTENZA 2GR 120V 200W	HEATING ELEMENT 2GR 120V 200W	RESISTANCE 2GR 120V 200W	WIDERSTAND 2GR 120V 200W
2	17022	RESISTENZA 2GR 230V 200W	HEATING ELEMENT 2GR 230V 200W	RESISTANCE 2GR 230V 200W	WIDERSTAND 2GR 230V 200W
3	17023	RESISTENZA 3GR 230V 250W	HEATING ELEMENT 3GR 230V 250W	RESISTANCE 3GR 230V 250W	WIDERSTAND 3GR 230V 250W
4	17024	RESISTENZA 4GR 230V 300W	HEATING ELEMENT 4GR 230V 300W	RESISTANCE 4GR 230V 300W	HEIZKORPER 4GR 230V 300W
5	77583100	STAFFA BLOCCHETTO SONDA	BLOCK BRACKET	ETRIER BLOC	ANSCHLAG BUGEL
6	25338000	BLOCCHETTO SONDA NTC	PROBE BLOCK NTC	BLOC SOND E NTC	SONDE ANSCHLAG NTC
7	20306000	SONDA NTC K100 ES 13 SCTE SB	PROBE NTC K100 ES 13	SONDE NTC K100 ES 13	SONDE NTC K100 ES 13
8	22715901	CABLAGGIO SONDA	CABLE PROBE	CABLAGE SOND E	VERKABELUNG SOND E
8	22715904	CABLAGGIO SONDA SCTE UL	CABLE PROBE UL	CABLAGE SOND E UL	VERKABELUNG SOND E UL
9	10760	BLOCCHETTO MASCHIO	MALE BLOCK	MODULE MALE	STECKER
10	21023	LAMPADA SPIA ROSSA 230V	RED PILOT LIGHT 230V	LAMPE TEMOIN ROUGE 230V	ROTE KONTROLLEUCHTE 230V
10	21025	LAMPADA SPIA ROSSA 120V	RED PILOT LIGHT 120V	LAMPE TEMOIN ROUGE 120V	ROTE KONTROLLEUCHTE 120V
11	77692224	PROTEZIONE REGOLATORE TEMPERATURA	THERMOSTAT GUARD	PROTECTEUR THERMOSTAT	ABDECKUNG THERMOSTAT
12	18090039	REGOLATORE TEMP.ELETTR.SCTE 120V	THERMOSTAT 120V	THERMOSTAT 120V	THERMOSTAT 120V
12	18090040	REGOLATORE TEMP.ELETTR.SCTE 230V	THERMOSTAT 230V	THERMOSTAT 230V	THERMOSTAT 230V
13	78206405	SUPPORTO REGOLATORE	THERMOSTAT SUPPORT	SUPPORT THERMOSTAT	THERMOSTAT SUPPORT
14	22717920	CABLAGGIO SCALDATAZZE	ELECTR.CUP HEAT.WIRING	CABLE CHAUFFE-TASSES ELEC.	ELEKTR.VERKABELUNG TASSENWARMER
14	22717922	CABLAGGIO SCALDATAZZE UL	ELECTR.CUP HEAT.WIRING UL	CABLE CHAUFFE-TASSES ELEC. UL	ELEKTR.VERKABELUNG TASSENWARMER UL
15	22717801	CABLAGGIO SDOPPIATORE USCITA UL	CABLE CONNECTION UL	CABLAGE JONCTION UL	VERDRAHTUNG VERBINDUNG UL
15	227181	CABLAGGIO PROLUNGA LAMPADINA	WIRING FOR LAMP	CABLE PROLONGE LAMPE	VERDRAHTUNG LAMPE
16	22723002	CABLAGGIO SCALDATAZZE ELETTRICO 2-4GR	ELECTR.CUP HEAT.WIRING 2-4GR	CABLE CHAUFFE-TASSES ELEC. 2-4GR	ELEKTR.VERKABELUNG TASSENWARMER 2-4GR
16	22723005	CABLAGGIO SCALDATAZZE ELETTRICO 2-4GR UL	ELECTR.CUP HEAT.WIRING 2-4 UNIT UL	CABLE CHAUFFE-TASSES ELEC. 2-4GR UL	ELEKTR.VERKABELUNG TASSENWORMER 2-4 UL
17	18263	INTERRUTTORE BIP. NERO LED LUMIN.ROSSO	BIP. LUMIN. BLACK SWITCH	INTER.BIP.LUMIN. NOIR	ZWEIP.SCHALTER M. SCHWARZ LEUCHTE
18	19049	COPERTURA INTERRUTTORE	SWITCH COVER	PROTECTION INTERRUPTEUR	SCHALTER ABD.
19	80123025R	KIT SCALDATAZZE AEP/1 CTS 120V	KIT ELECTR. CUP HEATING AEP/1 CTS 120V	CHAUFFE-TASSES ELEC. AEP/1 CTS 120V	ELEKTR. TASSENWARMER AEP/1 CTS 120V
20	80123027R	KIT SCALDATAZZE AEP/2 CTS 120V	ELECTR. CUP HEATING AEP/2 CTS 120V	CHAUFFE-TASSES ELEC. AEP/2 CTS 120V	ELEKTR. TASSENWARMER AEP/2 CTS 120V
21	80123029R	KIT SCALDATAZZE AEP/3 CTS 230V	ELECTR. CUP HEATING AEP/3 CTS 230V	CHAUFFE-TASSES ELEC. AEP/3 CTS 230V	ELEKTR. TASSENWARMER AEP/3 CTS 230V
22	80123030R	KIT SCALDATAZZE AEP/4 CTS 230V	ELECTR. CUP HEATING AEP/4 CTS 230V	CHAUFFE-TASSES ELEC. AEP/4 CTS 230V	ELEKTR. TASSENWARMER AEP/4 CTS 230V
23	80123031R	KIT SCALDATAZZE SAE/1 CTS 120V	ELECTR. CUP HEATING SAE/1 CTS 120V	CHAUFFE-TASSES ELEC. SAE/1 CTS 120V	ELEKTR. TASSENWARMER SAE/1 CTS 120V
24	80123033R	KIT SCALDATAZZE SAE/2 CTS 120V	ELECTR. CUP HEATING SAE/2 CTS 120V	CHAUFFE-TASSES ELEC. SAE/2 CTS 120V	ELEKTR. TASSENWARMER SAE/2 CTS 120V
25	80123035R	KIT SCALDATAZZE SAE/3 CTS 230V	ELECTR. CUP HEATING SAE/3 CTS 230V	CHAUFFE-TASSES ELEC. SAE/3 CTS 230V	ELEKTR. TASSENWARMER SAE/3 CTS 230V
26	80123036R	KIT SCALDATAZZE SAE/4 CTS 230V	ELECTR. CUP HEATING SAE/4 CTS 230V	CHAUFFE-TASSES ELEC. SAE/4 CTS 230V	ELEKTR. TASSENWARMER SAE/4 CTS 230V



Pos	Code	Denominazione - IT -	Denomination - EN -	Denomination - FR -	Denomination - DE -
1	15105	GOMMA AMMORTIZZATORE	RUBBER FOR MOTOR	CAOUTCHOUC POUR MOTEUR	GUMMI x MOTOR
2	23265	RONDELLA 4x12	WASHER 4x12	RONDELLE 4x12	SCHEIBE 4x12
3	78174	SUPPORTO MOTORE	MOTOR SUPPORT	SUPPORT MOTEUR	EINGEBAUTER MOTORHALTER
4	4656406	MOTORE RPM CW510L 230V-50/60Hz	MOTOR RPM 230-50/60Hz CW510L	MOTEUR RPM 230- 50/60HZ CW510L	MOTOR RPM 230-50/60Hz CW510L
4	4656407	MOTORE RPM 120V 60Hz R.H2O	MOTOR RPM CW510L	MOTOR RPM CW510L	MOTOR RPM CW510L
5	227172	CABLAGGIO ALIMENT.MOTOPOMPA UL/CSA	CABLE BUILT-IN MOTORPUMP UL/CSA	CABLAGE MOTO POMPE UL/CSA	VERKABELUNG MOTORPUMP UL/CSA
6	19062001	CONDENSATORE MOTORE 230V 7uF	MOTOR CAPACITOR 230V 7uF	CONDENSATEUR MOTEUR 230V 7uF	KONDENSATOR MOTOR 230V 7uF
7	15200002	CAPPUCCIO PER CONDENSATORE	CAPACITOR CAP	HOTTE CONDENSATEUR	HOOD KONDENSATOR
8	25782	TAPPO FEMMINA 1/4 GAS	1/4 GAS FEMALE TAP	BOUCHON FEMELLE 1/4 GAZ	INNENANSCHLUSSSTOPSEL 1/4 GAS
9	12007	GUARNIZIONE KLINGERSIL4400	KLINGERSIL4400 SEAL	JOINT KLINGERSIL4400	DICHTUNG KLINGER SIL4400
10	26310003	FASCETTA GIUNZIONE MOTORE-POMPA	CLAMP MOTOR-PUMP	BANDE MOTEUR-POMPE	SHELLE MOTOR-PUMPE
11	83260016R	KIT DISACCOPIAMENTO MOTORE POMPA	KIT COUPLING MOTOR-PUMP	ENSEMBLE DECOUPLAGE MOTEUR POMPE	KIT MOTOR-PUMPE KUPPLUNG
12	4626303	POMPA FLUID-O-TECH CW510L	PUMP FLUYD CW510L	POMPE CW510L	PUMPE CW510L
13	12101	GUARNIZIONE RAME 3/8 22x17x3	GASKET COPPER 3/8 22x17x3	JOINT CUIVRE 3/8 22x17x3	KUPFERDICHTUNG 3/8 22x17x3
14	10005	ANELLO DI ARRESTO INOX	STAINLESS STEEL STOP RING	ANNEAU DE BUTEE INOX	DRAHTSPRENGRING ROSTFREI
15	10254	FILTRO ACCIAIO 160-200 MESH	STEEL FILTER 160-200 MESH	FILTRE EN ACIER 160-200 MESH	STAHLFILTER 160-200 MESH
16	4656116	RACCORDO 3/8+3/8 MOTOPOMPA CW510L	CONNECTOR 3/8+3/8 PUMP CW510L	RACCORD 3/8 + 3/8 MOTOPOMPE CW510L	ANSCHLUSS 3/8 + 3/8 MOTORP. CW510L
17	4625687	RACCORDO 3/8x3/8 CW510L	3/8x3/8 FITTING CW510L	RACCORD 3/8x3/8 CW510L	ANSCHLUSS 3/8x3/8 CW510L
18	4652002814	TUBO D-6 L.200	TUBE D-6 L.200	TUYAU D-6 L.200	ROHR D-6 L.200
19	4630404	TUBOFLEX 3/8 L.45 CW510L	FLEX PIPE 3/8 CW510L	TUYAU FLEX 3/8 CW510L	SCHLAUCH 3/8 CW510L
20	4630408	TUBOFLEX 3/8FF P.GOMMA L.150 CW510L	FLEX PIPE 3/8 L.150 CW510L	TUYAU FLEX 3/8 FF L.150 CW510L	SCHLAUCH 3/8 AUFNAHMETUR L.150 GUMMI
21	4656123009	ASSIEME MOTORE 230V + POMPA	UNIT MOTOR 230V + PUMP	ENSEMBLE MOTEUR 230V + POMPE	SATZ MOTOR 230V + PUMPE
21	4656123178	ASSIEME MOTORE 120V + POMPA	UNIT MOTOR 120V + PUMP	ENSEMBLE MOTEUR 120V + POMPE	SATZ MOTOR 120V + PUMPE
22	25356	CONTRODADO OTTONE 3/8	BRASS LOCK NUT 3/8	CONTRE-ECROU LAITON 3/8	MESSING-GEGENMUTTER 3/8
23	25651	RONDELLA OTTONE 3/8	BRASS WASHER 3/8	RONDELLE LAITON 3/8	MESSINGSCHIEBE 3/8
24	4643067	RACCORDO "L" 3/8x3/8	3/8X3/8 L FITTING	RACCORD L 3/8x3/8	ANSCHLUSS L 3/8x3/8



ESTERNA - EXTERNAL - EXTÉRIEUR - AUSSENANSICHT

Pos	Code	Denominazione - IT -	Denomination - EN -	Denomination - FR -	Denomination - DE -
1	19050	CONDENSATORE MOTORE 220V 10mF	MOTOR CAPACITOR 220V 10mF	CONDENSATEUR MOTEUR 220V 10mF	MOTORKONDENSATOR 220V 10mF
1	19064	CONDENSATORE MOTORE 230V6uF Y001400	MOTOR CAPACITOR 230V 6uF Y001400	CONDENSATEUR MOTEUR 230V6uF Y001400	KONDENSATOR MOTOR 230V 6uF Y001400
2	18301	MOTORE R.P.M. 220V *U.L.* 110537.00	MOTOR R.P.M. 220V *U.L.* 110537.00	MOTEUR TOURS/MIN 220V *U.L.* 110537	MOTOR R.P.M. 220V *U.L.* 110537.00
2	18307	MOTORE RPM 120V UL	MOTOR RPM 120V UL	MOTEUR RPM 120V UL	MOTOR RPM 120V
3	26310003	FASCETTA GIUNZIONE MOTORE-POMPA	CLAMP MOTOR-PUMP	BANDE MOTEUR-POMPE	SHELLE MOTOR-PUMPE
4	83260016R	KIT DISACCOPIAMENTO MOTORE POMPA	KIT COUPLING MOTOR-PUMP	ENSEMBLE DECOUPLAGE MOTEUR POMPE	KIT MOTOR-PUMPE KUPPLUNG
5	4626303	POMPA FLUID-O-TECH CW510L	PUMP FLUYD CW510L	POMPE CW510L	PUMPE CW510L
6	12154	GUARNIZIONE CU 3/8 22x17x1.5	GASKET COPPER 3/8 22x17x1,5	JOINT CUIVRE 3/8 22x17x1.5	KUPFERDICHTUNG 3/8 22x17x1.5
7	4625687	RACCORDO 3/8x3/8 CW510L	3/8x3/8 FITTING CW510L	RACCORD 3/8x3/8 CW510L	ANSCHLUSS 3/8x3/8 CW510L
8	10005	ANELLO DI ARRESTO INOX	STAINLESS STEEL STOP RING	ANNEAU DE BUTEE INOX	DRAHTSPRENGRING ROSTFREI
9	10254	FILTRO ACCIAIO 160-200 MESH	STEEL FILTER 160-200 MESH	FILTRE EN ACIER 160-200 MESH	STAHLFILTER 160-200 MESH
10	4656116	RACCORDO 3/8+3/8 MOTOPOMPA CW510L	CONNECTOR 3/8+3/8 PUMP CW510L	RACCORD 3/8 + 3/8 MOTO POMPE CW510L	ANSCHLUSS 3/8 + 3/8 MOTORP. CW510L