

GCAP

INDICE - INDEX - SOMMAIRE - VERZEICHNIS

GCAP-01

BECCUCCI CAFFE' e CAPPUCCINATORE
COFFEE SPOUT and CAPPUCCINO
BEC CAFE et CAPPUCCINO
KAFFEE AUSGUSS und CAPPUCCINO

rev.

00
07/2011

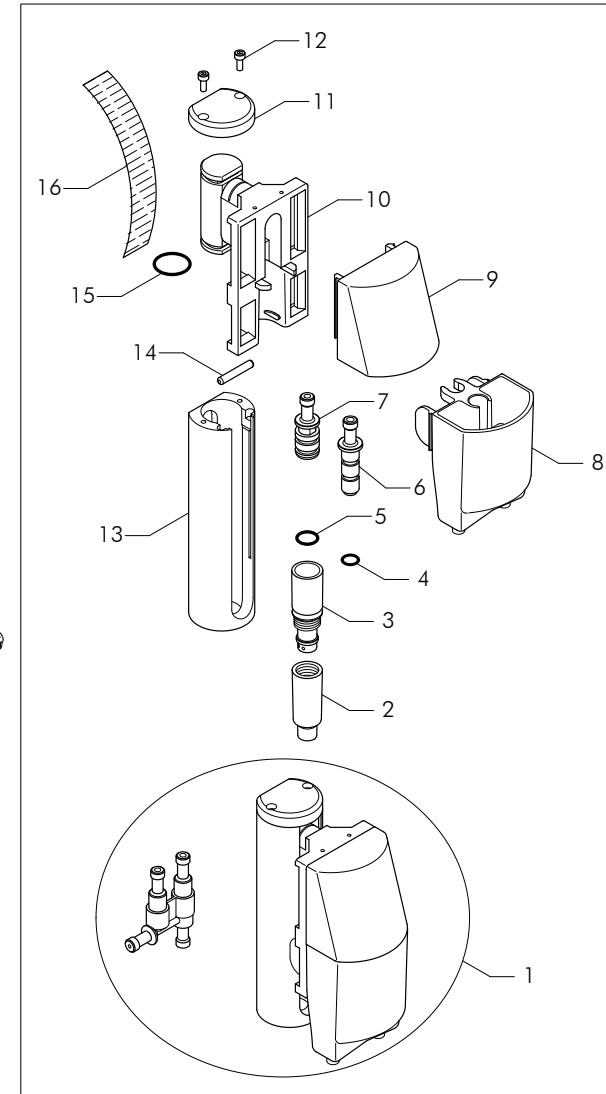
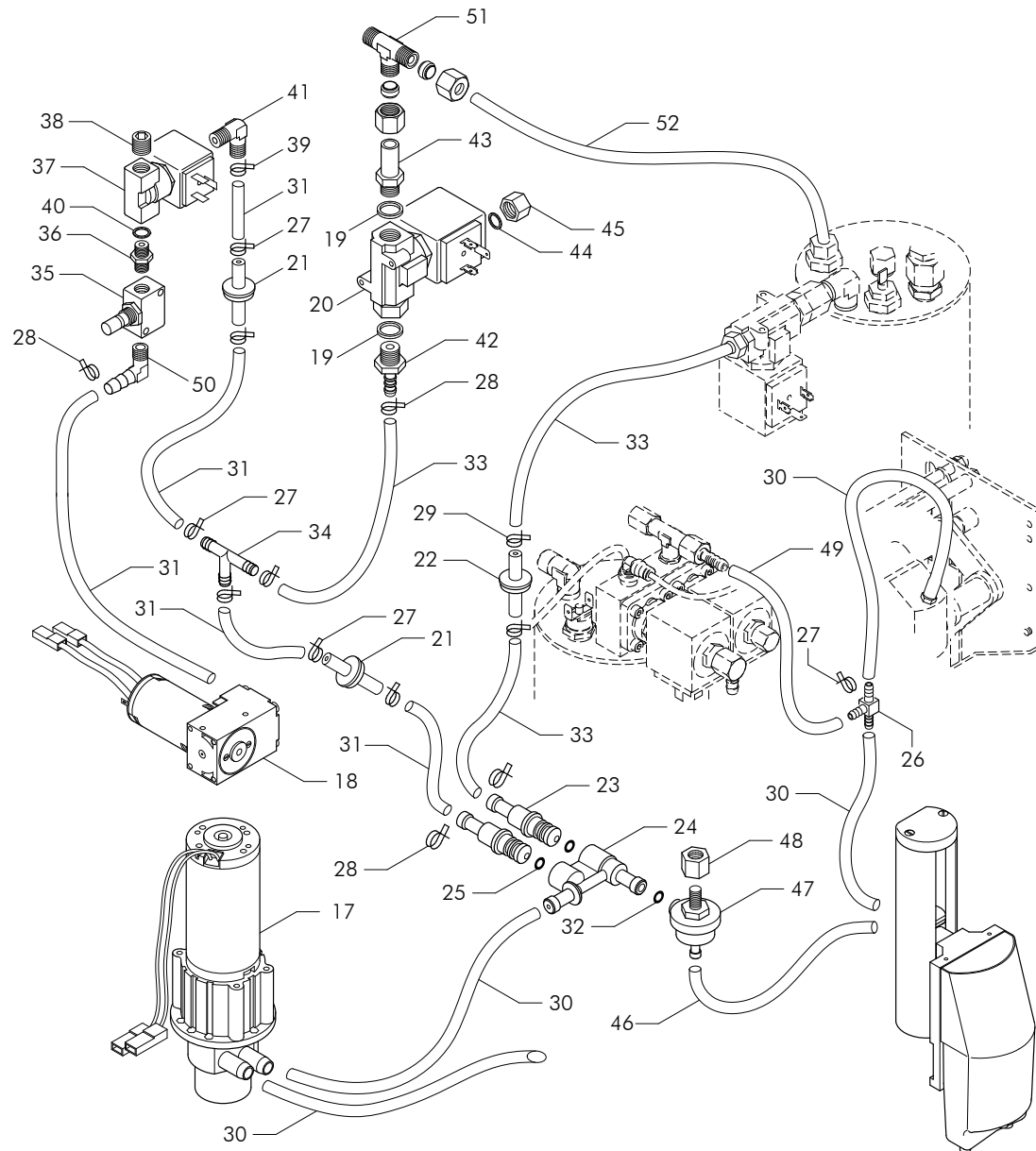
**BECCUCCI CAFFE' e
CAPPUCCINATORE**

**COFFEE SPOUT and
CAPPUCCINO**

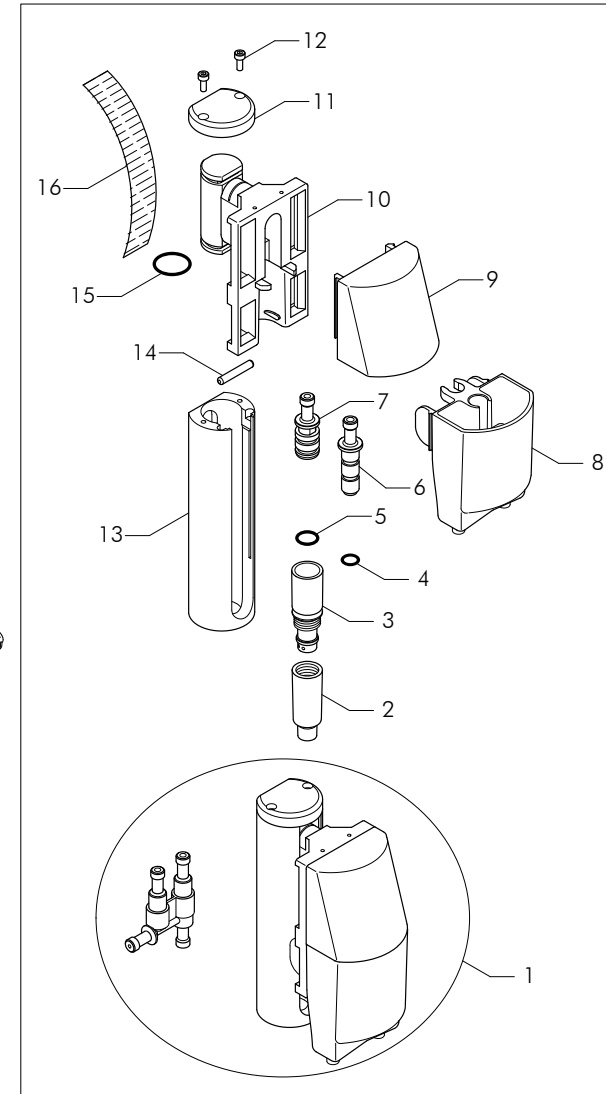
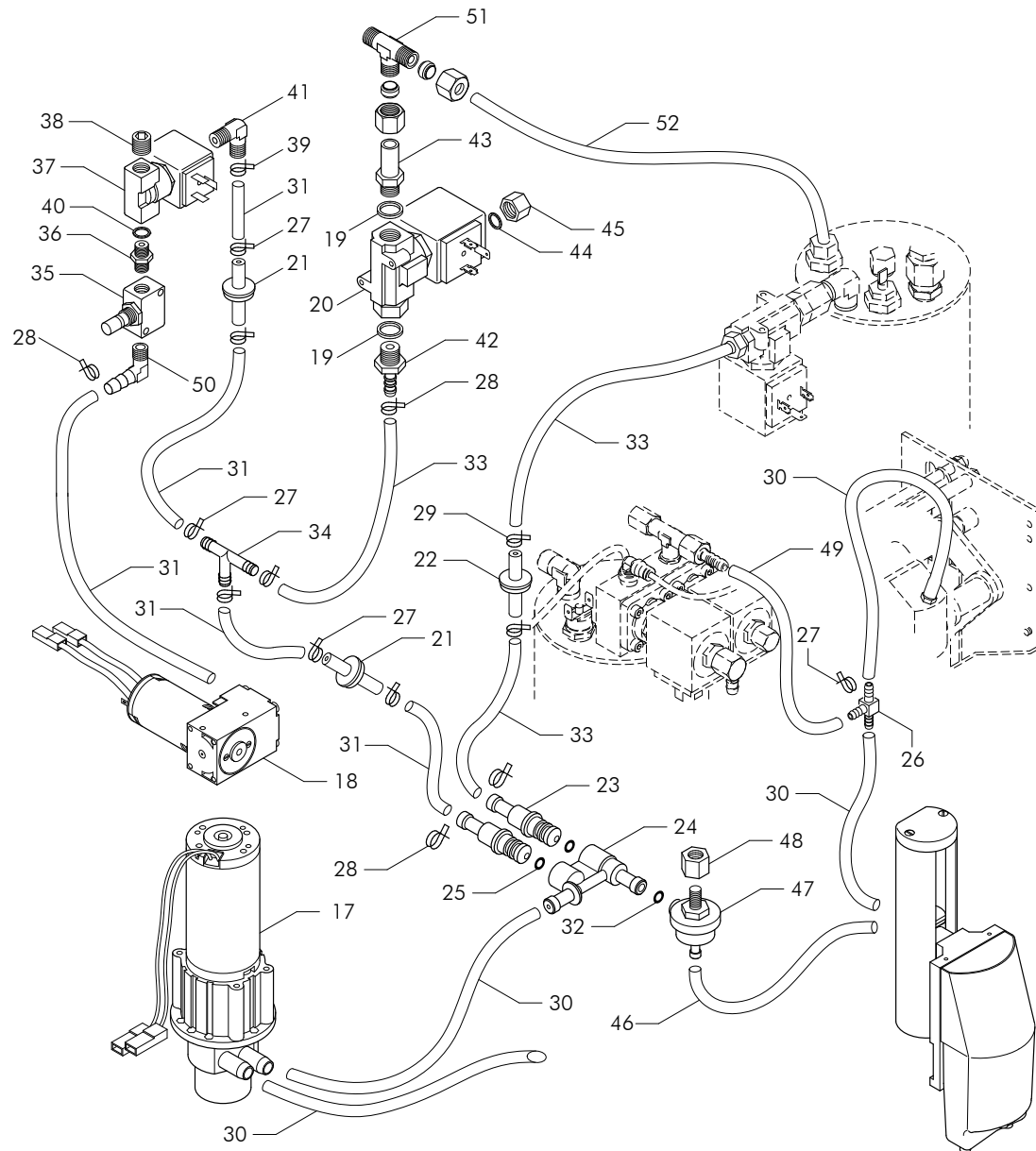
**BEC CAFE et
CAPPUCCINO**

**KAFFEE AUSGUSS und
CAPPUCCINO**

GEMMA



Pos	Cod.	Denominazione - IT -	Denomination - GB -	Denomination - FR -	Denomination - DE -
1	83300023R	KIT CAPPUCCINATORE+BECCUCCIO CAFFE'	CAPPUCCINO MAKER KIT - THREE LAYER	CORPS CAPPUCCINO + BEC CAFE	CAPPUCCINO + KAFFEE AUSGUSS
2	15018203	SERBATOIO EROGATORE LATTE SCHIUMATO CAPP.	MILK NOZZLE TANK	MOUSSE DE LAIT RESERVOIR BUSE	MILCHSCHAUER TANK
3	15018204	CORPO EROGATORE CAPPUCCINATORE	BODY CAPPUCCINO MAKER	CORPS ACCESSOIRE CAPPUCCINO	CAPPUCCINATORE KOERPE
4	12307	GUARNIZIONE OR 106 VALVOLA NON RITORNO	NON-RETURN VALVE O RING 106	JOINT OR 106 CLAPET ANTI RETOUR	OR DICHTUNG DES RUCKSCHLAGVENTIL
5	12306	GUARNIZIONE OR 02037 9.25X1.78	O RING GASKET 110 9.25X1.78	JOINT OR 110 9.25X1.78	OR DICHTUNG 110 9.25X1.78
6	15018217	INIETTORE CAFFE' ALLUNGATO CAPPUCCINATORE	CAPPUCCINATORE COFFEE INJECTOR	INJECTEUR CAF+ CAPPUCCINO	INJEKTOR CAPPUCCINO
7	15018205	INTERFACCIA CAPPUCCINATORE	BODY CAPPUCCINO MAKER INTERFACE	INTERFACE CAPPUCCINATORE	SCHNITTSTELLE-CAPPUCCINO
8	15018207	BECCUCCIO EROGATORE CAFFE' CAPPUCCINATORE	CAPPUCCINO MAKER SPOUT 08	BEC CAFE	AUSGUSS
9	15018209	COPERTURA BECCUCCIO CAFFE' CAPPUCCINATORE	CAPPUCCINO MAKER COFFEE SPOUT COVER	CARTER BEC CAFE CAPPUCCINO	SCHUTZKASTEN KAFFEE AUSGUSS CAPPUCCINO
10	15018206	PATTINO GUIDA CAPPUCCINATORE	SLIDING SPOUT GUIDE	GLISSIERE BECS	AUSLASS-SCHIENE
11	25604100	TAPPO SUPERIORE GUIDA CAPPUCCINATORE	PIN D8 L190 AISI CAPP.GUIDE DE	PIVOT D8 L190 AISI GUIDE CAPPUC.DE	STIFT D8 L190 AISI SCHIENE CAPP.DE
12	23564000	VITE TCEI INOX M3X8	STEEL SCREW TCEI M3X8	VIS INOX TCEI M3X8	VITE TCEI INOX M3X8
13	25604101	GUIDA CAPPUCCINATORE	PIN D8 L190 AISI CAPP.GUIDE DE	PIVOT D8 L190 AISI GUIDE CAPPUC.DE	STIFT D8 L190 AISI SCHIENE CAPP.DE
14	25604102	SPINA GUIDA CAPPUCCINATORE	PIN D8 L190 AISI CAPP.GUIDE DE	PIVOT D8 L190 AISI GUIDE CAPPUC.DE	STIFT D8 L190 AISI SCHIENE CAPP.DE
15	12300009	GU OR 2068 VITON X ELV. AEA 1,78X17	O RING GASKET 2068	JOINT OR 2068	OR DICHTUNG 2068
16	15018208	PROTEZIONE SCORREVOLE GUIDA CAPPUCCINATORE	SLIDING PROTECTION	PROTECTION COULISSANTE	SICHERHEIT BILDAUFF-HIGE
17	26319016	POMPA INGRANAGGI 24VDC	GEAR PUMP	POMPE ENGRENAGES	ZAHNRADPUMPE 24VDC
18	26319010	MICROPOMPA NMP 830 KNDC 24VDC	MICROPUMP NMP 830 KNDC 24VDC	POMPE MICRO NMP 830 KNDC 24VDC	MIKROPUMPE NMP 830 KNDC 24VDC
19	12153	GUARNIZIONE CU 1/4 17X13.3X1.5	1/4 17X13.3X1.5 COPPER SEAL	JOINT CUIVRE 1/4 17X13.3X1.5	KUPFERDICHTUNG 1/4 17X13.3X1.5
20	18161976	ELETTROV. 3V 1/4 Ø3,2 230V L321D03CZA34A	SOLENOID VALVE 1/4-3,2 230V/50 ETL4	ELECTROVANNE 1/4-3,2 230V L321D03CZA34A	MAGNETVENTIL 1/4 D-3,2 230V L321D03CZA34A
21	20358006	VALVOLA NON RITORNO IN PLASTICA	CHECK VALVE	SOUPAPE DE NON RETOUR	ABSPERRVENTIL
22	20358012	VALVOLA NON RITORNO D-3.3	NON RETURN VALVE POLIPROPILENE D-3.3	SOUPAPE DE NON RETOUR Ø3,3 KNF 072214	ABSPERRVENTIL Ø3,3 KNF 072214
23	15018219	INIETTORE VAPORE/ARIA D-1,9 CAPPUCCINATORE	CAPPUCCINATORE AIR/STEAM INJECTOR	INJECTEUR AIR/VAPEUR CAPPUCCINO	INJEKTOR CAPPUCCINATORE
24	15018200	COLLETTORE INIETTORI CAPPUCCINATORE	INJECTOR COLLECTOR	INJECTEUR TUBULURE	INJEKTOR CAPPUCCINATORE
25	12300029	GUARNIZIONE OR 4.48X1.78 SILICONE	4,48X1,78 063740 SILICONE O RING	JOINT OR 4,48X1,78 063740 SILICONE	OR-DICHTUNG 4,48X1,78 063740 SILIKON
26	15422011	RACCORDO "T" POLIPROPILENE D-5 NERO	"Y" POLYPROPYLENE FITTING	RACCORD "Y" POLYPROPYLENE	ANSCHLUSS "Y" POLYPROPYLENE
27	15056000	FASCETTA BIFILARE A MOLLA D.7,8-8,3	CLAMP D.7,8-8,3	COLLIER D.7,8-8,3	SHELLE D.7,8-8,3
28	15056001	FASCETTA BIFILARE A MOLLA D.8,8-9,3	CLAMP D.8,8-9,3	COLLIER D.8,8-9,3	SHELLE D.8,8-9,3
29	15056002	FASCETTA BIFILARE A MOLLA Ø 10,4-11,0	CLAMP Ø 10,4 - 11,0	COLLIER Ø 10,4 - 11,0	SHELLE Ø 10,4 - 11,0
30	15477010	TUBO SILICONE 4X8 KG/MT 0,045	SILICONE PIPE 4X8	TUBE EN SILICONE 4X8 0.045 KG/MT	SILIKONSCHLAUCH 4X8 KG/MT 0,045
31	15476004	TUBO SILICONE 4X8 BLU	SILICONE PIPE 4X8 BLUE	TUBE SILICONE 4X8 BLEU	SILIKONSCHLAUCH 4X8 BLAU
32	12305	GUARNIZIONE OR	O RING	JOINT OR	O-RINGDICHT
33	15476003	TUBO SILICONE 4X9 KG/MT 0,051 ROSSO	SILICONE PIPE 4X8 RED	TUBE SILICONE 4X8 ROUGE	SILIKONSCHLAUCH 4X8 ROT
34	15422011	RACCORDO "T" POLIPROPILENE D-5 NERO	"Y" POLYPROPYLENE FITTING	RACCORD "Y" POLYPROPYLENE	ANSCHLUSS "Y" POLYPROPYLENE
35	30499	REGOLATORE ARIA	AIR REGULATOR	REGULATEUR DE AIRE	REGLER
36	23210	RACCORDO DIR D4 1/8X1/8 CON L.5 1100618	STRAIGHT FITTING D4 1/8X1/8 CONICAL	RACC. DROIT D4 1/8X1/8 CONIQUE L.5 1100618	GERADER ANSCHLUSS D4 1/8X1/8 MIT L.5
37	18173006	ELETTROVALVOLA H2O/ARIA SIRAI 24V C.C.	SOLENOID VALVE H2O/AIR L372V03G-ZB12A	ELECTROV. H2O/AIR L372V03G-ZB12A 24V C.C.	MAGNETVENTIL LUFT/WASSER SIRAI 24V C.C.
38	25787002	TAPPO A SCOMPARSA 1/8M CON	MALE CAP 1/8	BOUCHON 1/8	STOPFEN 1/8



Pos	Cod.	Denominazione - IT -	Denomination - GB -	Denomination - FR -	Denomination - DE -
39	15056001	FASCETTA BIFILARE A MOLLA D.8,8-9,3	CLAMP D.8,8-9,3	COLLIER D.8,8-9,3	SHELLE D.8,8-9,3
40	12151	GUARNIZIONE CU 1/8 13X10.2X1.5	CU GASKET FOR SAE DOSER 13X10.2X1.5	JOINT CU DE DOSEUR SAE 13X10.2X1.5	CU DICHTUNG FÜR SAE DOSIERANLAGE
41	23228105	RACC."L" 346 5/3 M5+DADO OT/NI	1/8M 1/8M FITTING	RACCORD "L" 346 5/3 M5	ANSCHLUSS "L" 346 5/3 M5
42	25725006	RACCORDO PORTAGOMMA 1/4 FORATO D.1MM	1/4 HOSE FITTING	RACCORD PORTE-TUYAU 1/4	ANSCHLUSS SCHLAUCHHALTER 1/4
43	23228112	ADATTATORE DI ORIENTAMENTO 1/4M D-6	ORIENTATION ADAPTER	ADAPTATEUR DE ORIENTATION	ADAPTER-ORIENTIERUNG
44	12012	GUARNIZIONE TEFLON 8.5X4X2	GASKET TEFLON 8.5X4X2	JOINT TEFLON 8.5X4X2	DICHTUNG TEFLON 8.5X4X2
45	25790	TAPPO 1/8 GAS FEMMINA	FEMALE CAP 1/8 GAS	BOUCHON FEMELLE 1/8 GAS	STOPFEN 1/8 GAS
46	15477015	TUBO SILICONE PLATINICO 4X10	SILICONE PIPE 4X10	TUBE EN SILICONE 4X10	SILIKONSCHLAUCH 4X10
47	15018220	CORPO VORTICE CAPPUCCINATORE	WHIRL BODY CAPPUCCINO MAKER	CORPS TOURBILLON CAPPUCCINO	KIRPER-VORTEX CAPPUCCINO-ZUBEREITER
48	23033	DADO INOX M8 UNI 5587 A2 #	STAINLESS STEEL NUT M8 UNI 5587 A2	ECROU INOX M8 UNI 5587 A2	STAHLMUTTER M8 UNI 5587 A2
49	15477012	TUBO SILICONE PLATINICO 3X7 KG/MT 0,038	SILICONE TUBE 3X7	TUBE EN SILICONE 3X7 0.038 KG/MT	TUBO SILICONE PLATINICO 3X7 KG/MT 0,038
50	23216	RACCORDO GOM.1/8M.CONICO+PORTAGOMMA D-6	CONICAL ELBOW CONNECTOR 1/8	RACCORD COUVE CONIQUE 1/8	KONISCHES FITTING 1/8
51	23228205	RACC.-T- 1/8M CON 2XTUBO D-6	T FITTING 1/8F 1/8F 1/8F NICK	RACC. -T- 1/8F 1/8M 1/8F LAIT	ANSCHLUSS -T- 1/8F 1/8M 1/8F
52	15452002	TUBO TEFLON D 6X4 1001T0600	TUBE D 6X4 1001T0600	TUYAU D 6X4 1001T0600	ROHR D 6X4 1001T0600